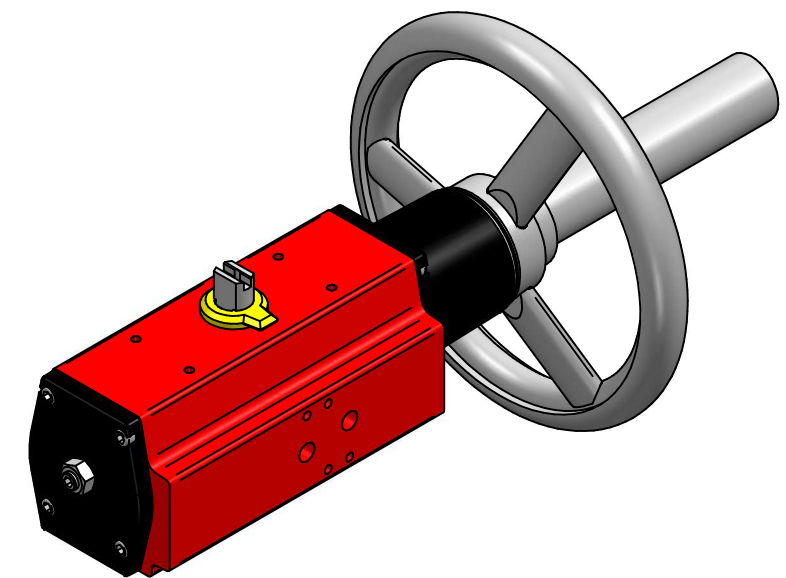


DETAIL A 1:1

Hole pattern for solenoid valve acc. to VDI/VDE 3845, NAMUR



TITLE PNEUMATIC ACTUATOR RC220DAM F05 F11 SQR14	DRAWN	MOTO	04.11.2014	SIZE A3	DWG NO REM00062	UNLESS OTHERWISE SPECIFIED DIMENSIONS ARE IN MILLIMETERS AND TOLERANCES ARE +/-0,5
	CHECKED	TOCO	04.11.2014	FILE NAME: REM00062.dft		
	ENG APPR	TOCO	04.11.2014	SCALE: 1:3	REV:	
	MGR APPR	TOCO	04.11.2014	WEIGHT:	SHEET: 1 OF 1	

REV	DESCRIPTION	DATE	APPROVED
REVISION HISTORY			