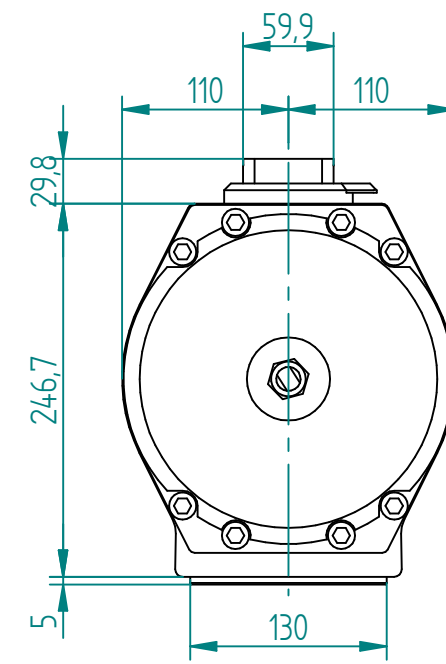
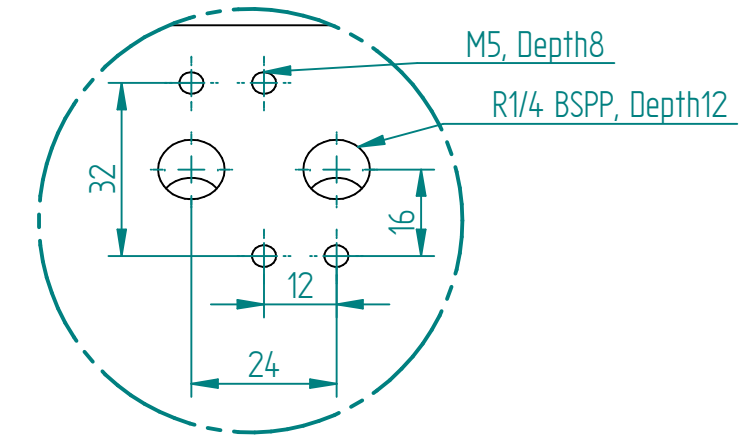
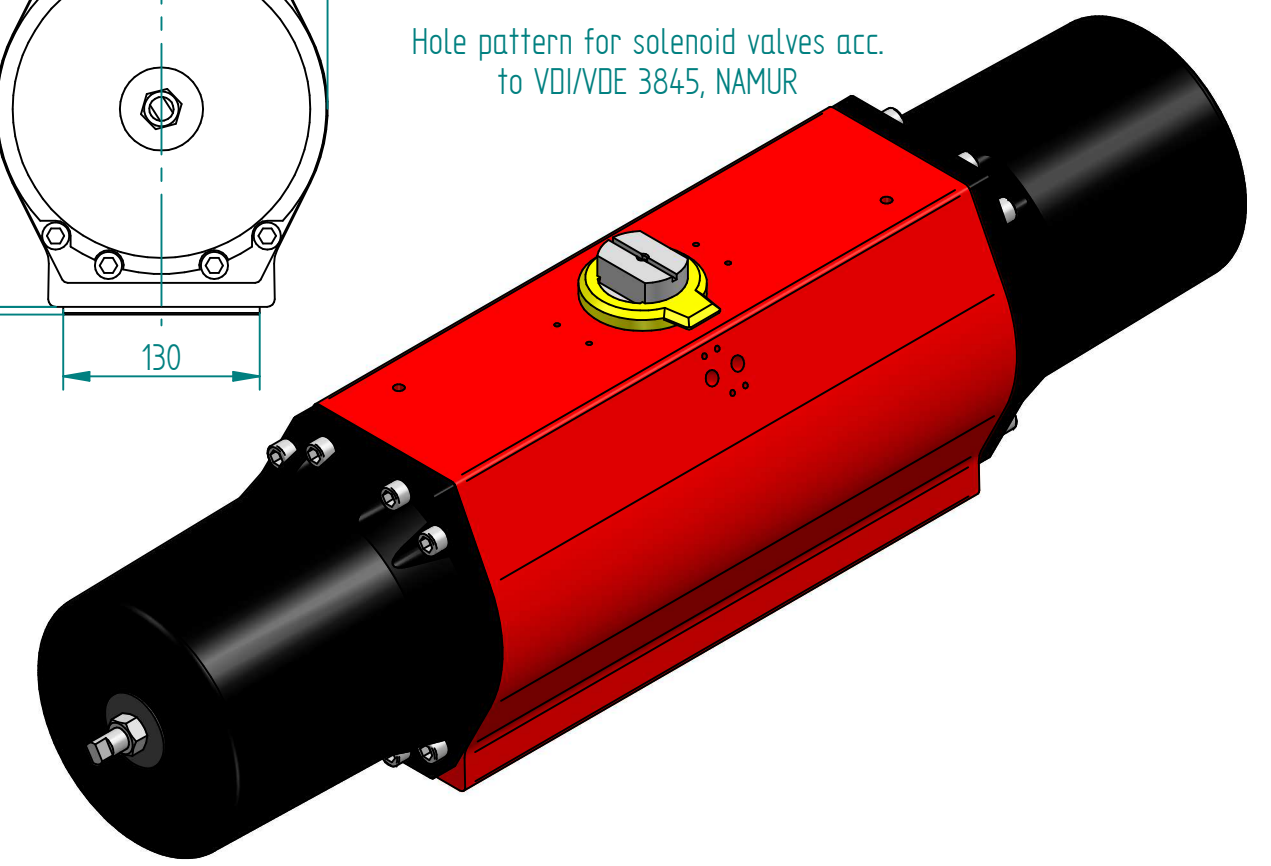



Function	Position 0°=closed 90°=open	2,1 bar 30 psi	2,8 bar 40 psi	3,5 bar 50 psi	4,2 bar 60 psi	4,5 bar 65 psi	5,5 bar 80 psi	6 bar 87 psi	7 bar 100 psi
Air	0°	715	935	1192	1430	1549	1907	2080	2430
Air	60°	310	413	517	620	672	827	900	1050
Air	90°	380	507	633	760	823	1013	1110	1290
Spring	90°	635	847	1058	1270	1376	1693	1840	2150
Spring	30°	310	413	517	620	672	827	900	1050
Spring	0°	435	580	725	870	942	1160	1260	1470



DETAIL A 1:1,25
Hole pattern for solenoid valves acc.
to VDI/VDE 3845, NAMUR



 J.S. COCK ^{A/5}	NAME	MOTO	DATE	12.06.2014	SIZE	A3	DWG NO	REM00028	UNLESS OTHERWISE SPECIFIED DIMENSIONS ARE IN MILLIMETERS AND TOLERANCES ARE +/-0,5	<table border="1"> <thead> <tr> <th>REV</th> <th>DESCRIPTION</th> <th>DATE</th> <th>APPROVED</th> </tr> </thead> <tbody> <tr> <td colspan="4">REVISION HISTORY</td> </tr> </tbody> </table>	REV	DESCRIPTION	DATE	APPROVED	REVISION HISTORY			
	REV	DESCRIPTION	DATE	APPROVED														
	REVISION HISTORY																	
	DRAWN	MOTO	12.06.2014	A3	REM00028													
CHECKED	TOCO	dd.mm.yyyy	FILE NAME: REM00028.dft															
ENG APPR	TOCO	dd.mm.yyyy	SCALE: 1:5	REV:														
MGR APPR	TOCO	dd.mm.yyyy	WEIGHT:	SHEET: 1 OF 1														
TITLE	SPRING RETURN ACTUATOR RC280 SR																	