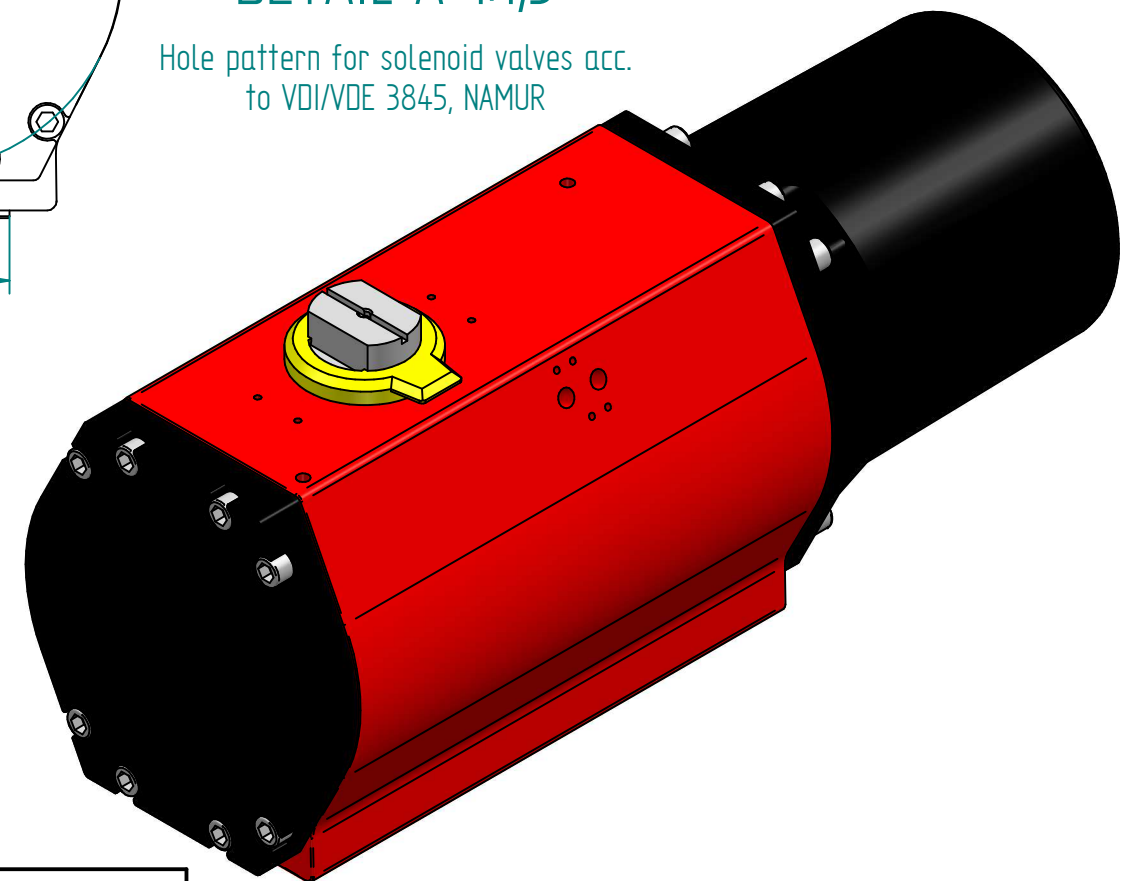
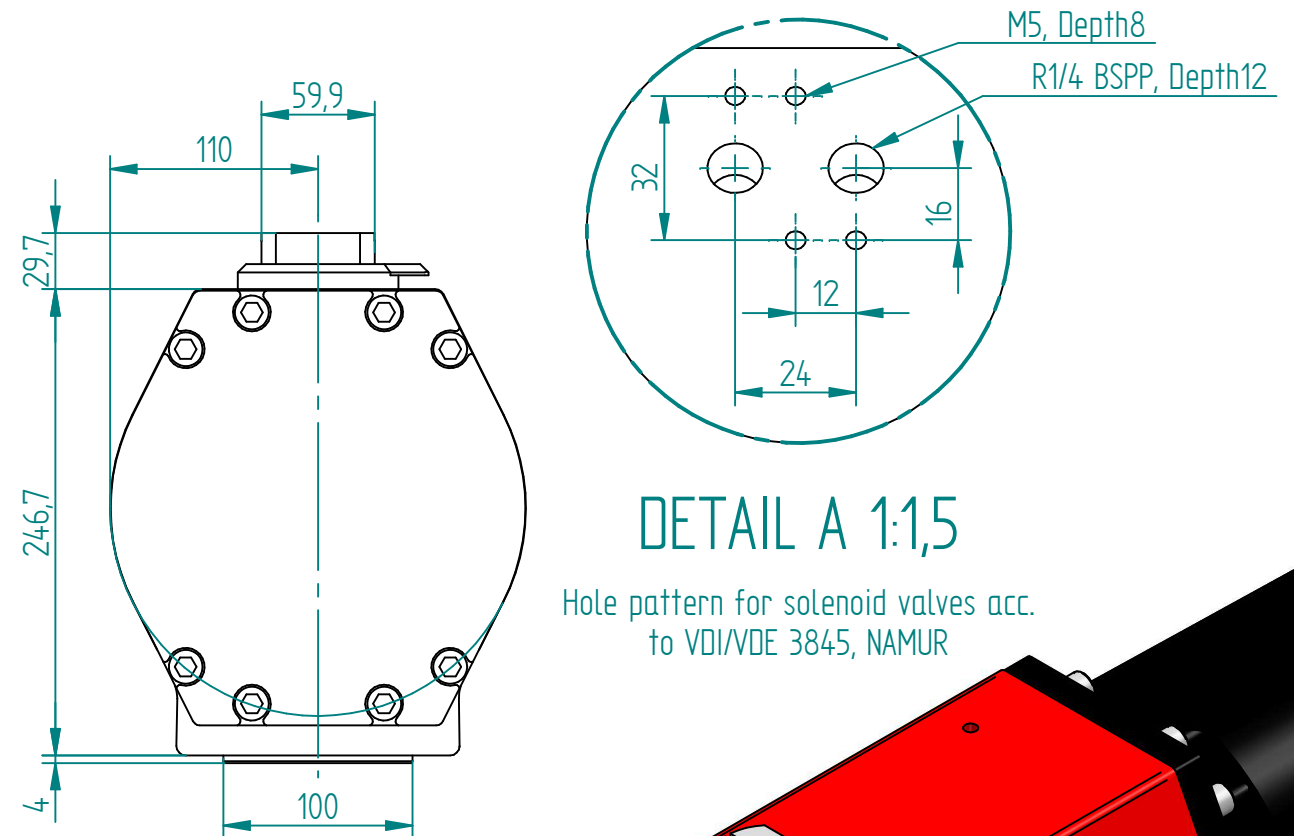


Function	Position 0°=closed 90°=open	2,1 bar 30 psi	2,8 bar 40 psi	3,5 bar 50 psi	4,2 bar 60 psi	4,5 bar 65 psi	5,5 bar 80 psi	6 bar 87 psi	7 bar 100 psi
Air	0°	355	473	592	710	769	947	1030	1210
Air	60°	155	207	258	310	336	413	440	520
Air	90°	190	253	317	380	412	507	550	640
Spring	90°	315	420	525	630	682	840	910	1060
Spring	30°	155	207	258	310	336	413	440	520
Spring	0°	215	287	358	430	466	573	620	720



TITLE		NAME	DATE	SIZE	DWG NO
SPRING RETURN ACTUATOR RC270 SR		MOTO	12.06.2014	A3	REM00027
DRAWN		TOCO	dd.mm.yyyy	FILE NAME: REM00027.dft	
CHECKED		TOCO	dd.mm.yyyy	SCALE: 1:4	REV:
ENG APPR		TOCO	dd.mm.yyyy	WEIGHT:	SHEET: 1 OF 1
MGR APPR		TOCO	dd.mm.yyyy		

UNLESS OTHERWISE SPECIFIED DIMENSIONS ARE IN MILLIMETERS AND TOLERANCES ARE +/-0,5

REV	DESCRIPTION	DATE	APPROVED
REVISION HISTORY			