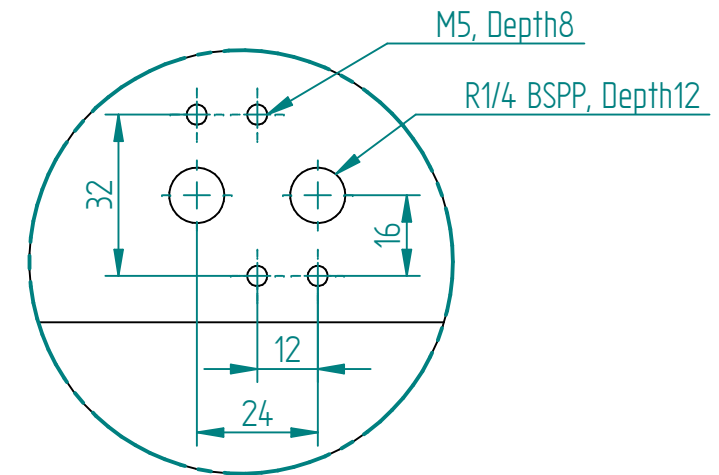
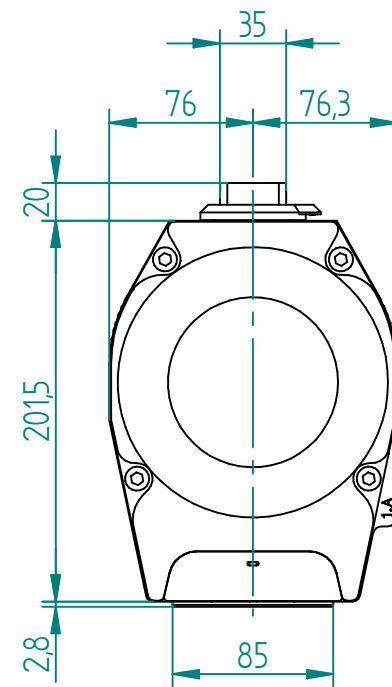
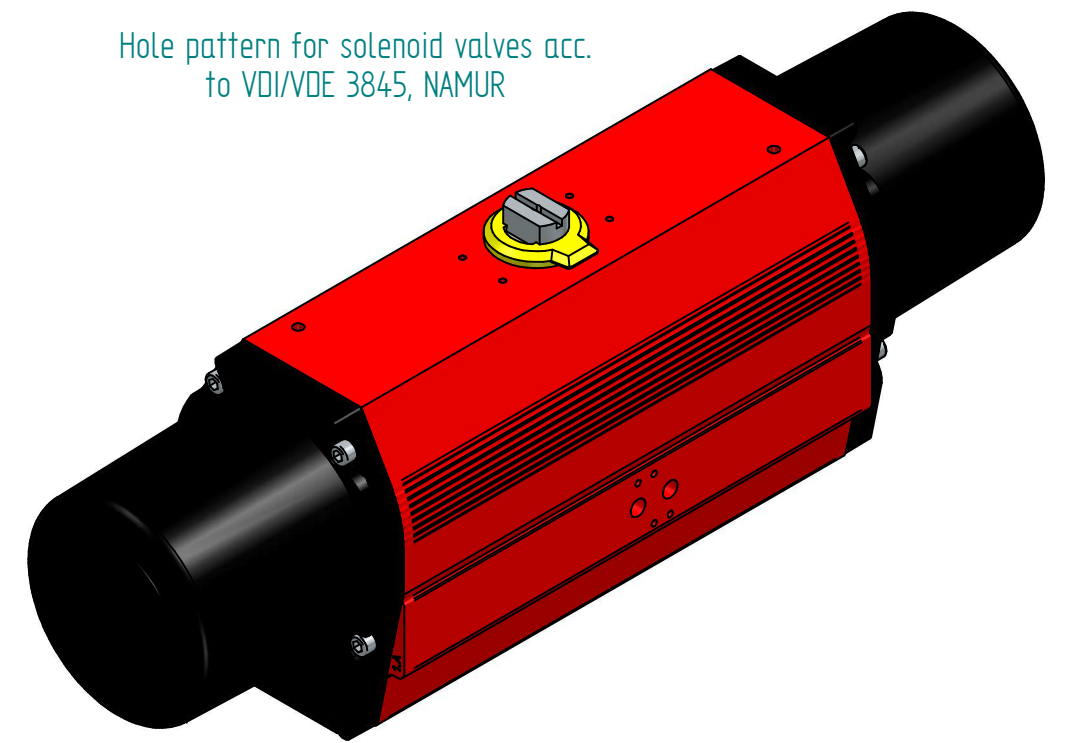


Function	Position 0°=closed 90°=open	2,1 bar 30 psi	2,8 bar 40 psi	3,5 bar 50 psi	4,2 bar 60 psi	4,5 bar 65 psi	5,5 bar 80 psi	6 bar 87 psi	7 bar 100 psi
Air	0°	280	373	467	560	607	671	730	935
Air	60°	113	150	187	225	244	280	305	360
Air	90°	125	167	208	250	271	303	330	425
Spring	90°	210	280	350	420	455	560	610	695
Spring	30°	103	137	171	205	222	273	330	355
Spring	0°	153	203	254	305	330	407	440	525



DETAIL A 1:1,5

Hole pattern for solenoid valves acc. to VDI/VDE 3845, NAMUR



TITLE		NAME	DATE	SIZE	DWG NO
SPRING RETURN ACTUATOR RC265 SR 120 PSI		MOTO	16.06.2014	A3	REM00026E
DRAWN		TOCO	dd.mm.yyyy	FILE NAME: REM00026E.dft	
CHECKED		TOCO	dd.mm.yyyy	SCALE: 1:4	REV:
ENG APPR		TOCO	dd.mm.yyyy	WEIGHT:	SHEET: 1 OF 1
MGR APPR		TOCO	dd.mm.yyyy		

UNLESS OTHERWISE SPECIFIED DIMENSIONS ARE IN MILLIMETERS AND TOLERANCES ARE +/-0,5

REV	DESCRIPTION	DATE	APPROVED
REVISION HISTORY			