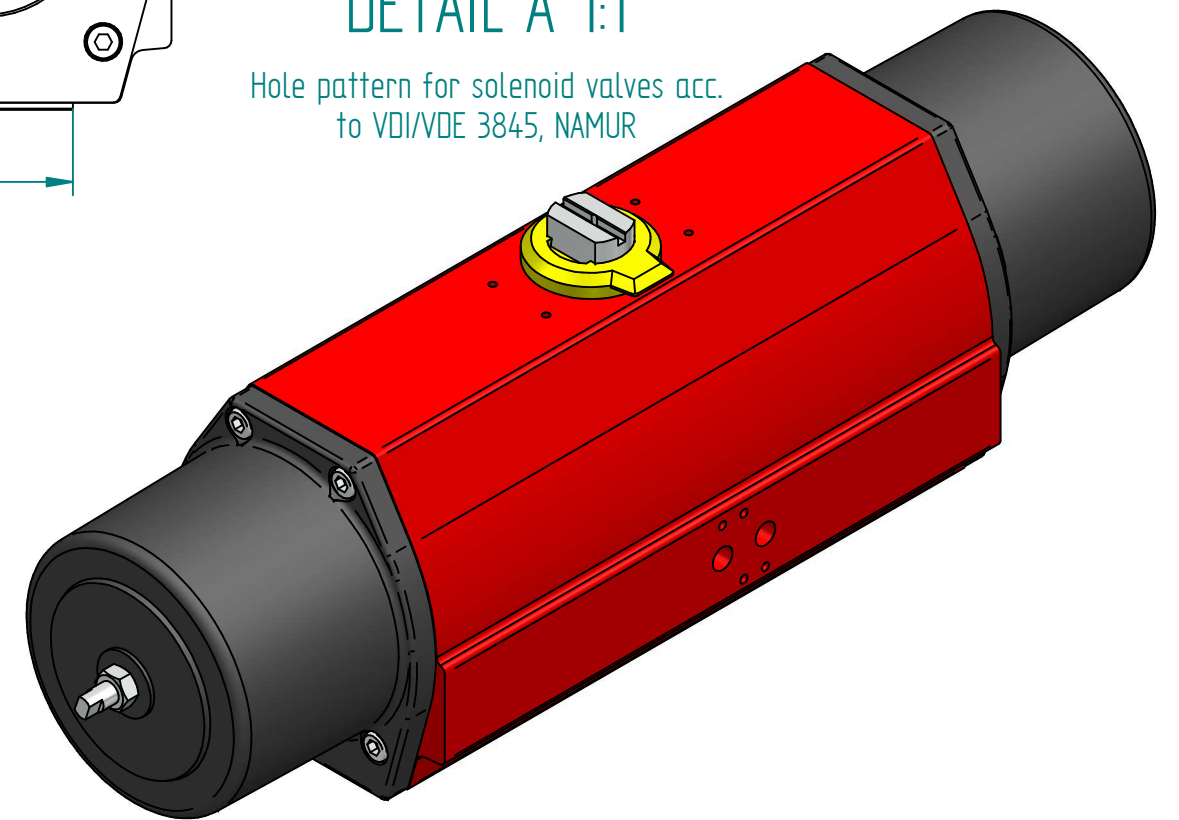
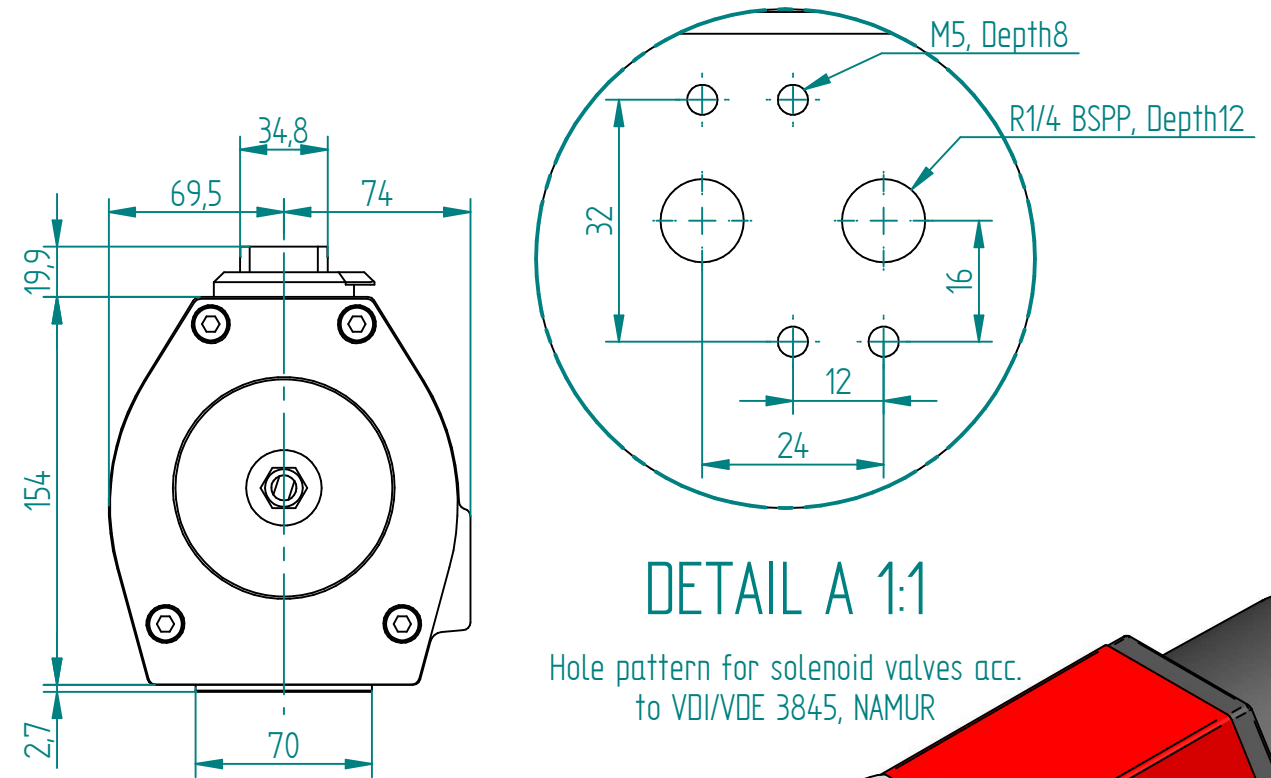


Function	Position 0°=closed 90°=open	2,1 bar 30 psi	2,8 bar 40 psi	3,5 bar 50 psi	4,2 bar 60 psi	4,5 bar 65 psi	5,5 bar 80 psi	6 bar 87 psi	7 bar 100 psi
Air	0°	173	230	287	345	374	460	500	580
Air	60°	75	100	125	150	162	200	215	250
Air	90°	90	120	150	180	195	240	265	310
Spring	90°	153	203	254	305	330	407	440	515
Spring	30°	75	100	125	150	162	200	215	250
Spring	0°	105	140	175	210	227	280	305	350



TITLE SPRING RETURN ACTUATOR RC260 SR	NAME	MOTO	DATE	16.06.2014	SIZE	A3	DWG NO	REM00026C
	DRAWN	TOCO	dd.mm.yyyy		FILE NAME:	REM00026C.dft		
	CHECKED	TOCO	dd.mm.yyyy		SCALE:	1:3	REV:
	ENG APPR	TOCO	dd.mm.yyyy		WEIGHT:		SHEET:	1 OF 1
MGR APPR	TOCO	dd.mm.yyyy						

UNLESS OTHERWISE SPECIFIED DIMENSIONS ARE IN MILLIMETERS AND TOLERANCES ARE +/-0,5

REV	DESCRIPTION	DATE	APPROVED
REVISION HISTORY			