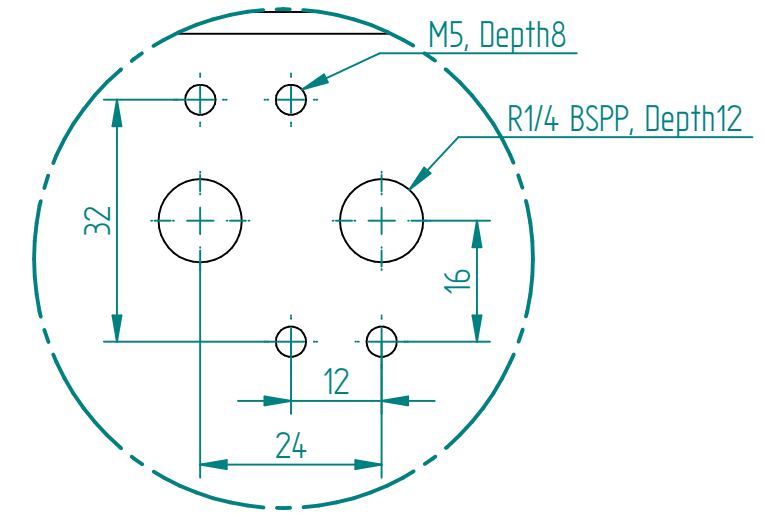
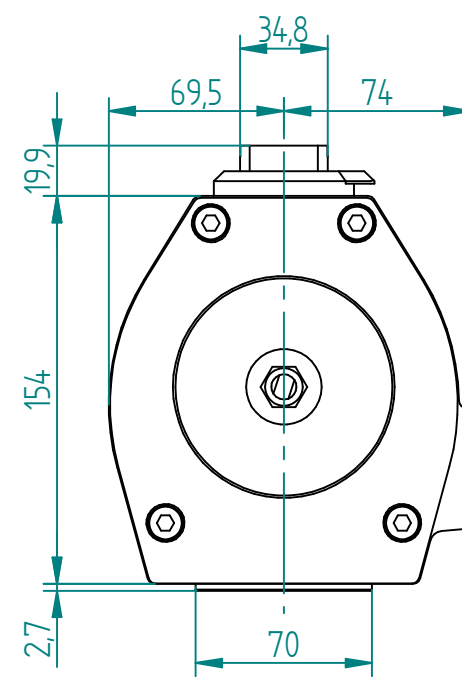
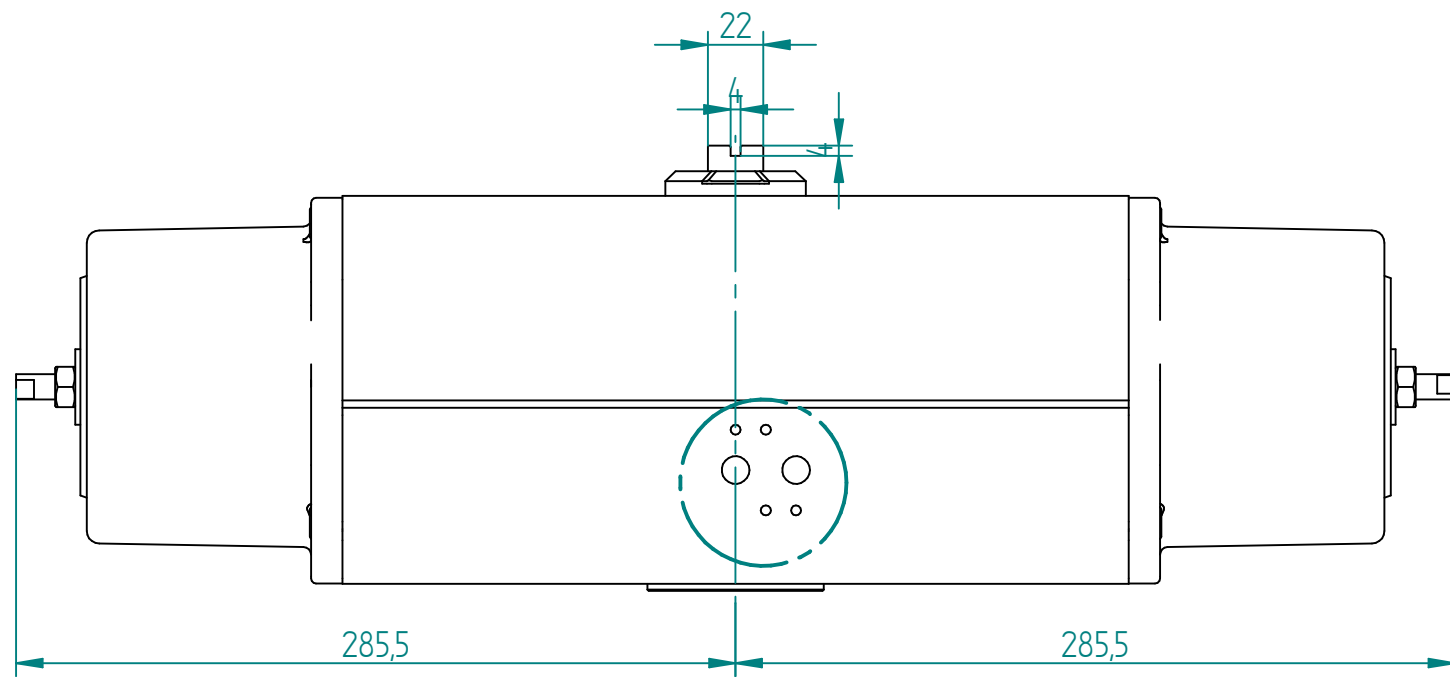
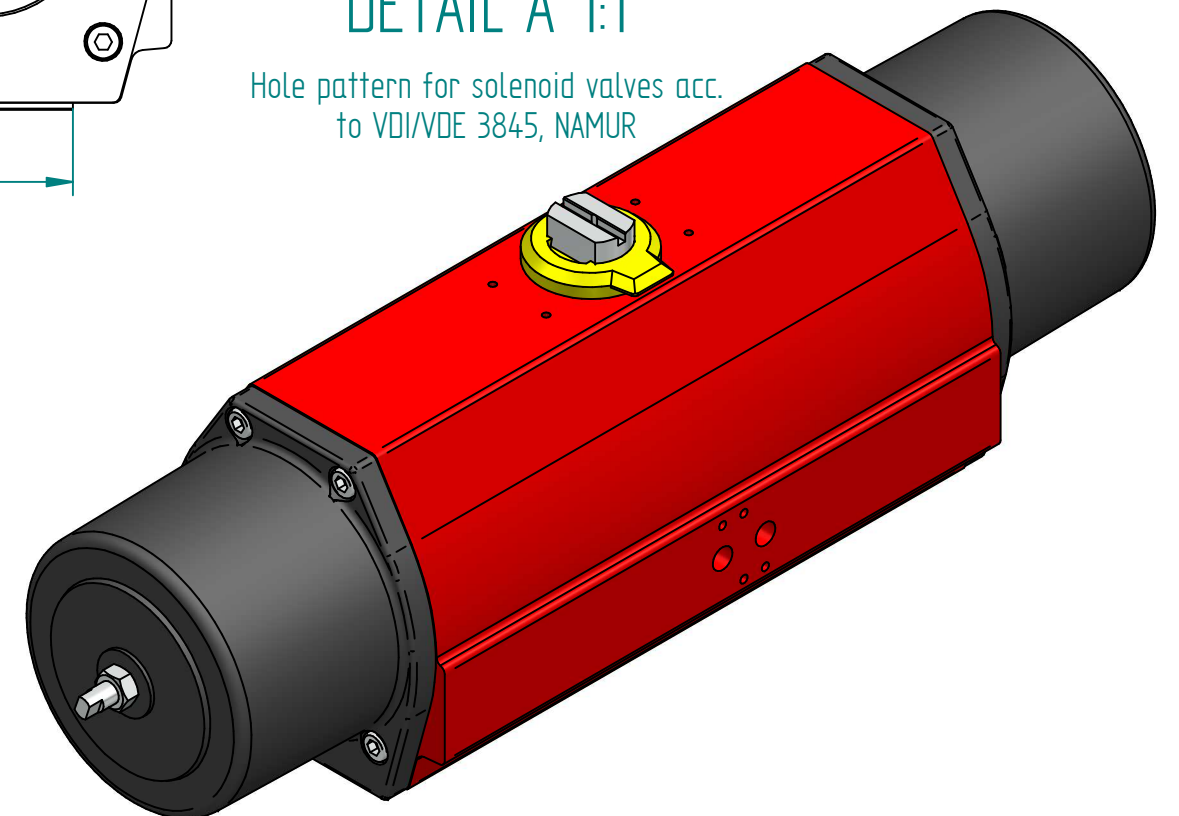
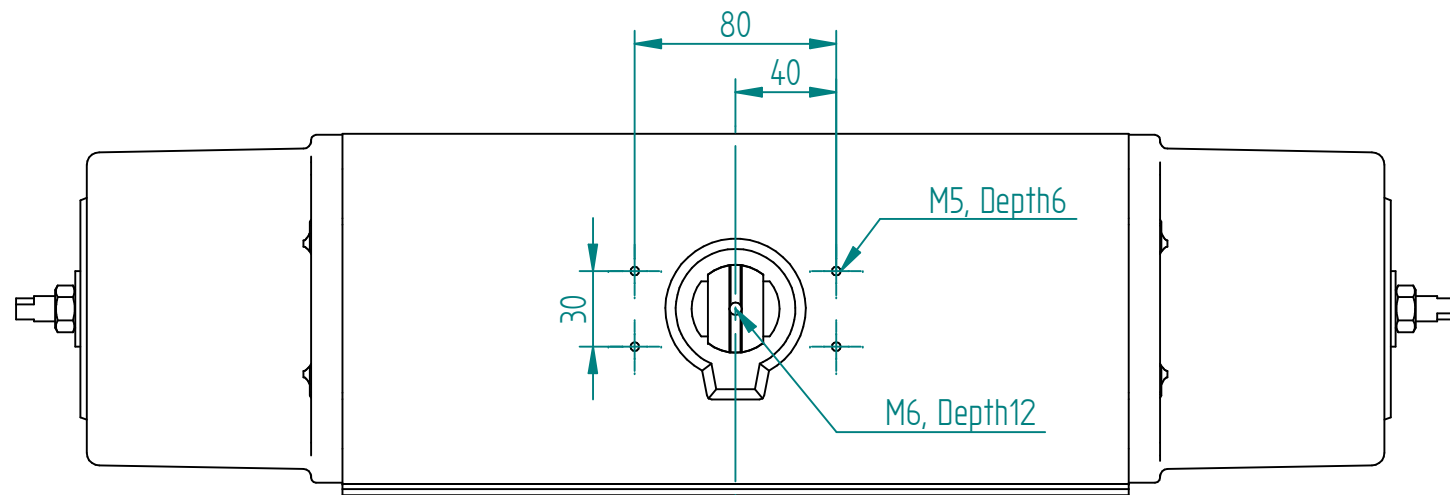


Function	Position 0°=closed 90°=open	2,1 bar 30 psi	2,8 bar 40 psi	3,5 bar 50 psi	4,2 bar 60 psi	4,5 bar 65 psi	5,5 bar 80 psi	6 bar 87 psi	7 bar 100 psi
Air	0°	173	230	287	345	374	460	500	580
Air	60°	75	100	125	150	162	200	215	250
Air	90°	90	120	150	180	195	240	265	310
Spring	90°	153	203	254	305	330	407	440	515
Spring	30°	75	100	125	150	162	200	215	250
Spring	0°	105	140	175	210	227	280	305	350



DETAIL A 1:1
Hole pattern for solenoid valves acc. to VDI/VDE 3845, NAMUR



 TITLE SPRING RETURN ACTUATOR RC260 SR		NAME	DATE	SIZE	DWG NO
	DRAWN	MOTO	12.06.2014	A3	REM00026
	CHECKED	TOCO	dd.mm.yyyy	FILE NAME: REM00026.dft	
	ENG APPR	TOCO	dd.mm.yyyy	SCALE: 1:3	REV:
	MGR APPR	TOCO	dd.mm.yyyy	WEIGHT:	SHEET: 1 OF 1

UNLESS OTHERWISE SPECIFIED DIMENSIONS ARE IN MILLIMETERS AND TOLERANCES ARE +/-0,5

REV	DESCRIPTION	DATE	APPROVED
REVISION HISTORY			