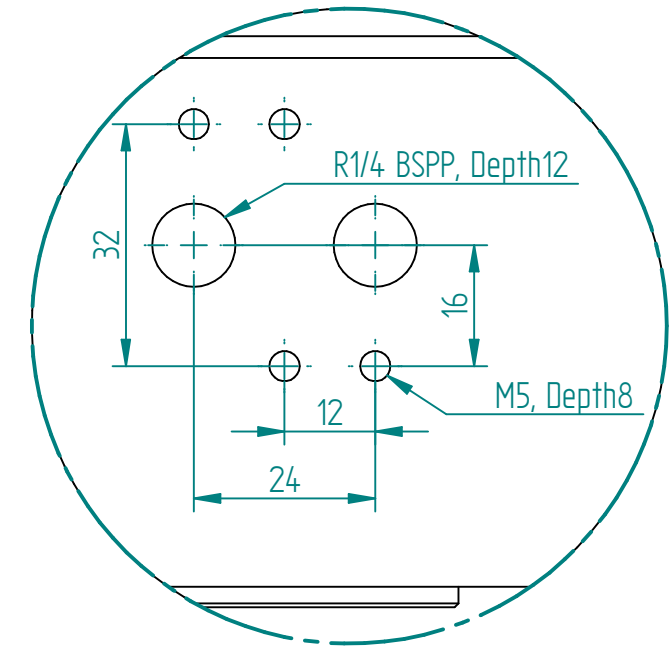
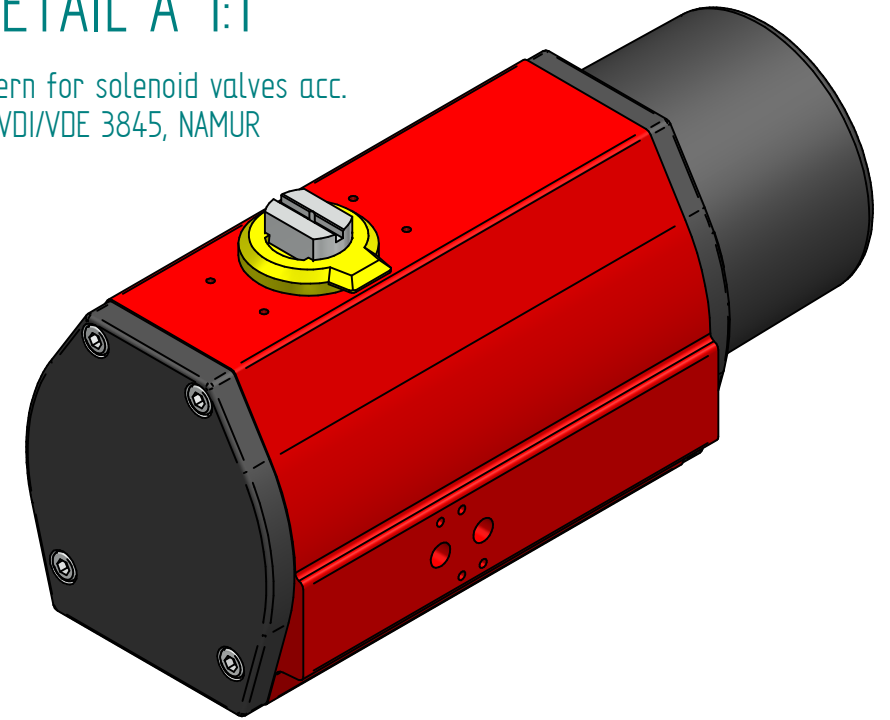


Function	Position 0°=closed 90°=open	2,1 bar 30 psi	2,8 bar 40 psi	3,5 bar 50 psi	4,2 bar 60 psi	4,5 bar 65 psi	5,5 bar 80 psi	6 bar 87 psi	7 bar 100 psi
Air	0°	85	113	142	170	184	227	245	290
Air	60°	37	49	62	74	80	99	105	125
Air	90°	45	60	75	90	97	120	130	155
Spring	90°	75	100	125	150	162	200	215	255
Spring	30°	37	49	62	74	80	99	150	125
Spring	0°	50	67	83	100	108	133	96	175



**DETAIL A 1:1**

Hole pattern for solenoid valves acc. to VDI/VDE 3845, NAMUR



TITLE SPRING RETURN ACTUATOR RC250 SR 120 PSI	DRAWN	MOTO	16.06.2014	SIZE <b>A3</b>	DWG NO REM00025D	UNLESS OTHERWISE SPECIFIED DIMENSIONS ARE IN MILLIMETERS AND TOLERANCES ARE +/-0,5
	CHECKED	TOCO	dd.mm.yyyy	FILE NAME: REM00025D.dft		
	ENG APPR	TOCO	dd.mm.yyyy	SCALE: 2:1	REV: .....	
	MGR APPR	TOCO	dd.mm.yyyy	WEIGHT:	SHEET: 1 OF 1	

REV	DESCRIPTION	DATE	APPROVED
REVISION HISTORY			