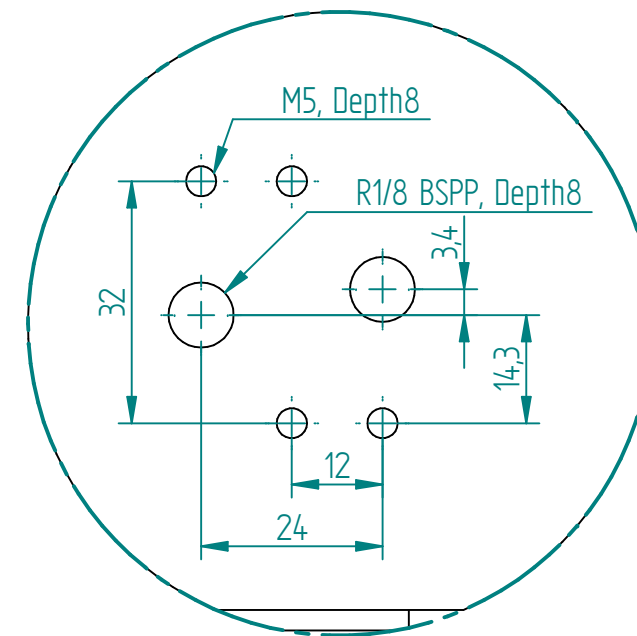
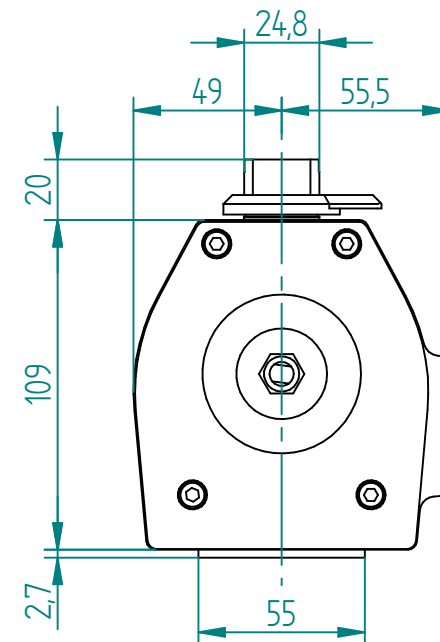
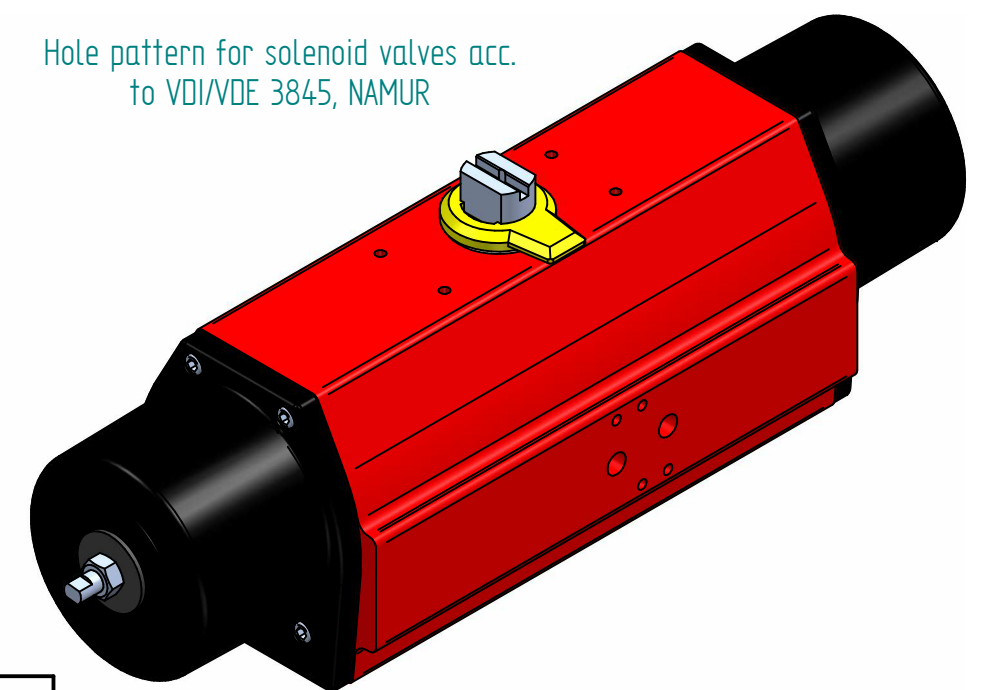


Function	Position 0°=closed 90°=open	2,1 bar 30 psi	2,8 bar 40 psi	3,5 bar 50 psi	4,2 bar 60 psi	4,5 bar 65 psi	5,5 bar 80 psi	6 bar 87 psi	7 bar 100 psi
Air	0°	55	73	92	110	119	147	158	185
Air	60°	24	31	39	47	51	63	68	80
Air	90°	29	39	48	58	63	77	84	98
Spring	90°	48	64	80	96	104	128	140	163
Spring	30°	24	31	39	47	51	63	68	80
Spring	0°	33	44	55	66	71	88	96	115



DETAIL A 1:1

Hole pattern for solenoid valves acc. to VDI/VDE 3845, NAMUR



TITLE	NAME		DATE	SIZE	DWG NO
	DRAWN	MOTO	13.06.2014	A3	REM00024C
	CHECKED	TOCO	dd.mm.yyyy	FILE NAME: REM00024C.dft	
	ENG APPR	TOCO	dd.mm.yyyy	SCALE: 2:1	REV:
MGR APPR	TOCO	dd.mm.yyyy	WEIGHT:	SHEET: 1 OF 1	

UNLESS OTHERWISE SPECIFIED DIMENSIONS ARE IN MILLIMETERS AND TOLERANCES ARE +/-0,5

REV	DESCRIPTION	DATE	APPROVED
REVISION HISTORY			