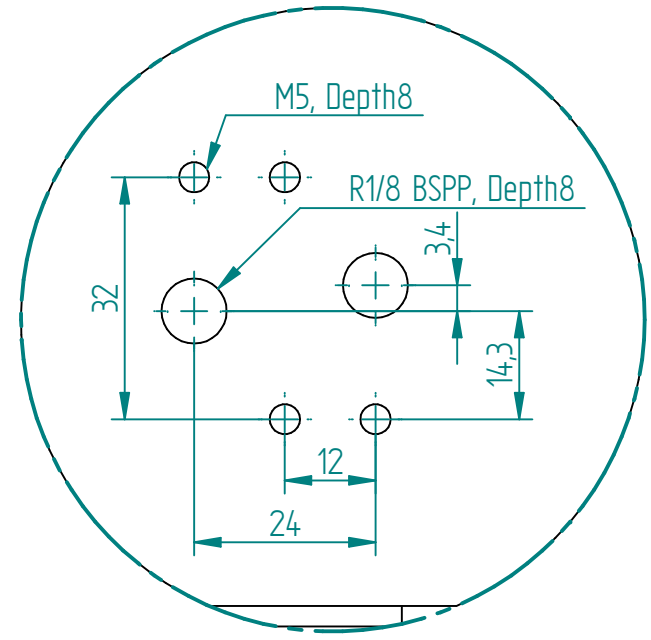
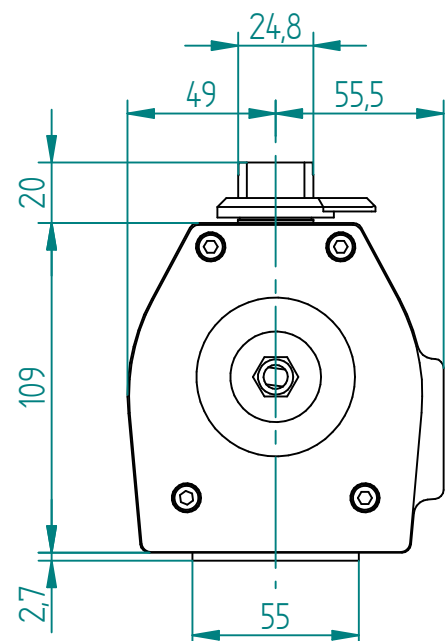
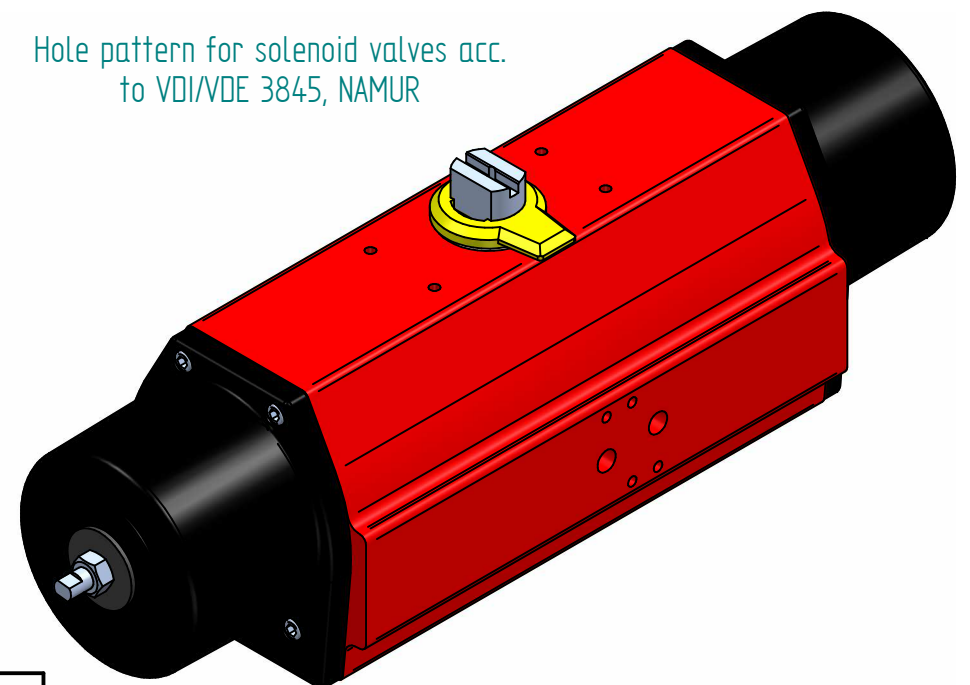


Function	Position 0°=closed 90°=open	2,1 bar 30 psi	2,8 bar 40 psi	3,5 bar 50 psi	4,2 bar 60 psi	4,5 bar 65 psi	5,5 bar 80 psi	6 bar 87 psi	7 bar 100 psi
Air	0°	55	73	92	110	119	147	158	185
Air	60°	24	31	39	47	51	63	68	80
Air	90°	29	39	48	58	63	77	84	98
Spring	90°	48	64	80	96	104	128	140	163
Spring	30°	24	31	39	47	51	63	68	80
Spring	0°	33	44	55	66	71	88	96	115



**DETAIL A 1:1**

Hole pattern for solenoid valves acc. to VDI/VDE 3845, NAMUR



	NAME	MOTO	DATE	12.06.2014	SIZE	A3	DWG NO	REM00024
	DRAWN	TOCO	CHECKED	dd.mm.yyyy	FILE NAME:	REM00024.dft		
	ENG APPR	TOCO	MGR APPR	TOCO	SCALE:	2:1	REV:	.....
	WEIGHT:			SHEET:	1 OF 1			

UNLESS OTHERWISE SPECIFIED DIMENSIONS ARE IN MILLIMETERS AND TOLERANCES ARE +/-0,5

REV	DESCRIPTION	DATE	APPROVED
REVISION HISTORY			

TITLE SPRING RETURN ACTUATOR RC240 SR