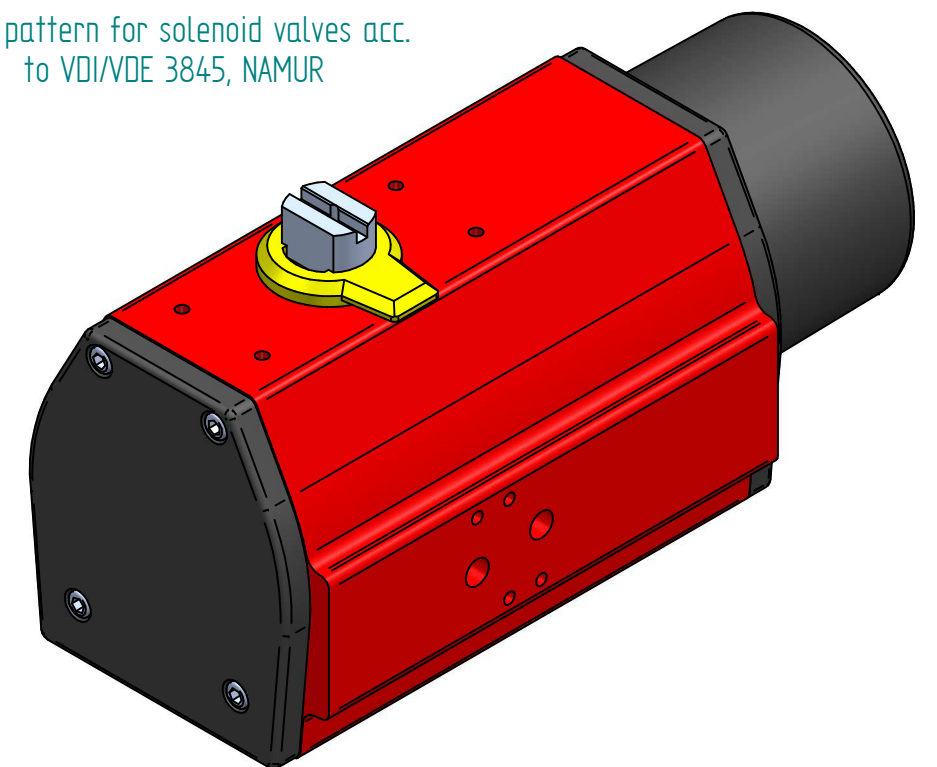


DETAIL A 1:1

Hole pattern for solenoid valves acc. to VDI/VDE 3845, NAMUR

Function	Position 0°=closed 90°=open	2,1 bar 30 psi	2,8 bar 40 psi	3,5 bar 50 psi	4,2 bar 60 psi	4,5 bar 65 psi	5,5 bar 80 psi	6 bar 87 psi	7 bar 100 psi
Air	0°	27	36	45	54	58	72	78	92
Air	60°	12	15	19	23	25	31	33	39
Air	90°	15	19	24	29	31	39	41	48
Spring	90°	24	31	39	47	51	63	69	81
Spring	30°	12	15	19	23	25	31	33	39
Spring	0°	17	22	27	33	36	44	47	55



TITLE PNEUMATIC ACTUATOR RC230 SR F07 F10 SQR17	DRAWN	MOTO	12.06.2014	SIZE A3	DWG NO REM00023	UNLESS OTHERWISE SPECIFIED DIMENSIONS ARE IN MILLIMETERS AND TOLERANCES ARE +/-0,5
	CHECKED	TOCO	dd.mm.yyyy	FILE NAME: REM00023.dft		
	ENG APPR	TOCO	dd.mm.yyyy	SCALE: 2:1	REV:	
	MGR APPR	TOCO	dd.mm.yyyy	WEIGHT:	SHEET: 1 OF 1	

REV	DESCRIPTION	DATE	APPROVED
REVISION HISTORY			