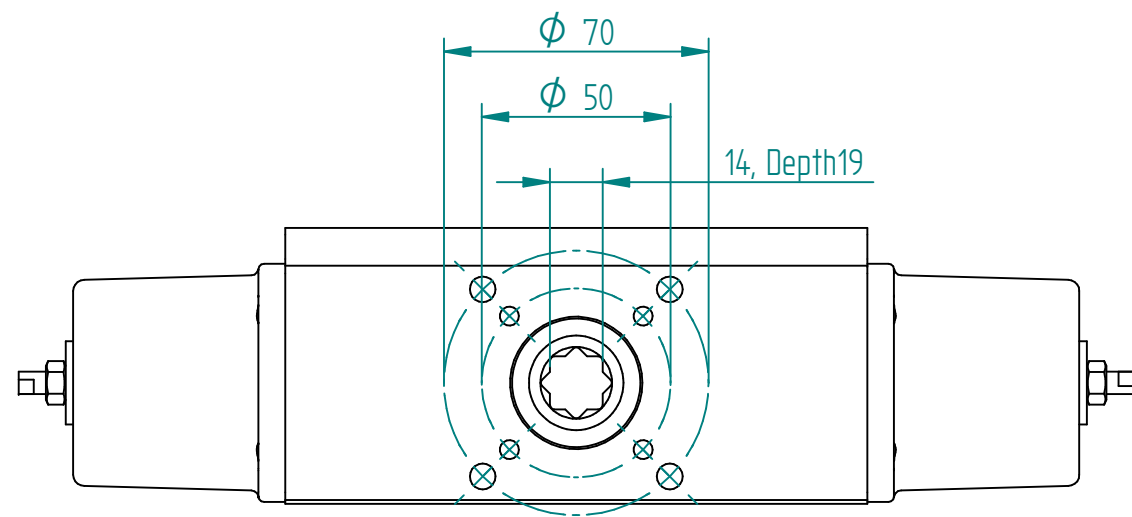
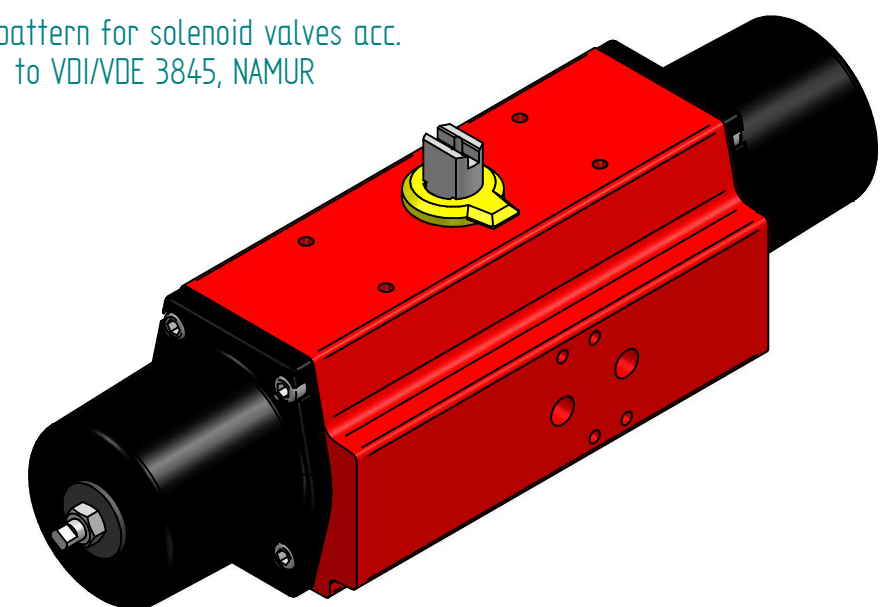



DETAIL A 1:1

Hole pattern for solenoid valves acc. to VDI/VDE 3845, NAMUR



Function	Position 0°=closed 90°=open	2,1 bar 30 psi	2,8 bar 40 psi	3,5 bar 50 psi	4,2 bar 60 psi	4,5 bar 65 psi	5,5 bar 80 psi	6 bar 87 psi	7 bar 100 psi
Air	0°	15	19	24	29	31	39	41	48
Air	60°	6	8	10	12	13	16	18	21
Air	90°	8	10	12	15	16	20	22	26
Spring	90°	13	17	21	25	27	33	37	43
Spring	30°	6	8	10	12	13	16	18	21
Spring	0°	9	11	14	17	18	23	25	29

	NAME	MOTO	DATE	12.06.2014	SIZE	A3	DWG NO	REM00022
	DRAWN	MOTO	DATE	12.06.2014	FILE NAME:	REM00022.dft		
	CHECKED	TOCO	DATE	dd.mm.yyyy	SCALE:	2:1	REV:
	ENG APPR	TOCO	DATE	dd.mm.yyyy	WEIGHT:		SHEET:	1 OF 1
TITLE	SPRING RETURN ACTUATOR RC220 SR		MGR APPR	TOCO	DATE	dd.mm.yyyy		

UNLESS OTHERWISE SPECIFIED DIMENSIONS ARE IN MILLIMETERS AND TOLERANCES ARE +/-0,5

REV	DESCRIPTION	DATE	APPROVED
REVISION HISTORY			