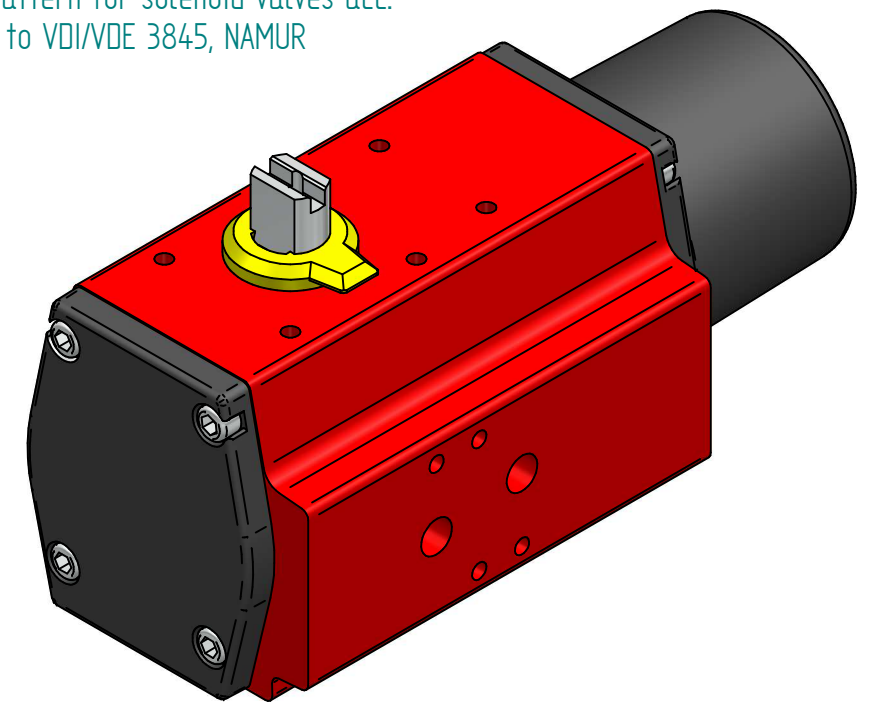


DETAIL A 1:1

Hole pattern for solenoid valves acc. to VDI/VDE 3845, NAMUR

Function	Position 0°=closed 90°=open	2,1 bar 30 psi	2,8 bar 40 psi	3,5 bar 50 psi	4,2 bar 60 psi	4,5 bar 65 psi	5,5 bar 80 psi	6 bar 87 psi	7 bar 100 psi
Air	0°	7	9	12	14	15	19	20	24
Air	60°	3	4	5	6	6	8	9	10
Air	90°	4	5	6	7,5	8	10	11	13
Spring	90°	6	8	10	12	13	16	18	21
Spring	30°	3	4	5	6	6	8	9	10
Spring	0°	4	6	7	8,5	9	11	12	14



TITLE	DRAWN	NAME	DATE	SIZE	DWG NO	UNLESS OTHERWISE SPECIFIED DIMENSIONS ARE IN MILLIMETERS AND TOLERANCES ARE +/-0,5
	CHECKED	TOCO	dd.mm.yyyy	FILE NAME: REM00021B.dft		
	ENG APPR	TOCO	dd.mm.yyyy	SCALE: 2:1	REV:	
	MGR APPR	TOCO	dd.mm.yyyy	WEIGHT:	SHEET: 1 OF 1	

REV	DESCRIPTION	DATE	APPROVED
REVISION HISTORY			