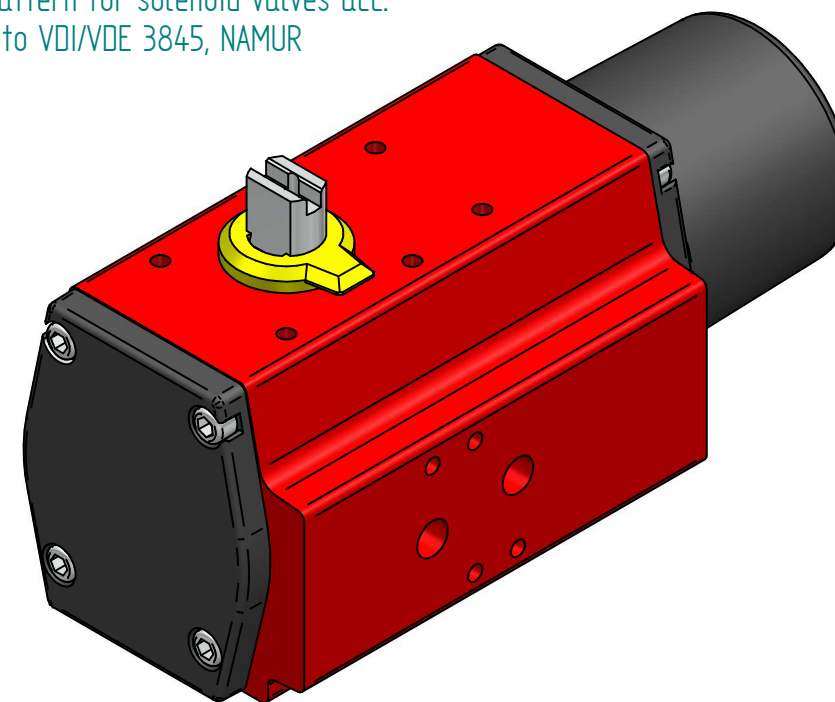


DETAIL A 1:1

Hole pattern for solenoid valves acc. to VDI/VDE 3845, NAMUR



Function	Position 0°=closed 90°=open	2,1 bar 30 psi	2,8 bar 40 psi	3,5 bar 50 psi	4,2 bar 60 psi	4,5 bar 65 psi	5,5 bar 80 psi	6 bar 87 psi	7 bar 100 psi
Air	0°	7	9	12	14	15	19	20	24
Air	60°	3	4	5	6	6	8	9	10
Air	90°	4	5	6	7,5	8	10	11	13
Spring	90°	6	8	10	12	13	16	18	21
Spring	30°	3	4	5	6	6	8	9	10
Spring	0°	4	6	7	8,5	9	11	12	14



TITLE	SPRING RETURN ACTUATOR RC210 SR	NAME	MOTO	DATE	12.06.2014	SIZE	A3	DWG NO	REM00021
		CHECKED	TOCO	dd.mm.yyyy		FILE NAME:	REM00021.dft		
		ENG APPR	TOCO	dd.mm.yyyy		SCALE:	2:1	REV:
		MGR APPR	TOCO	dd.mm.yyyy		WEIGHT:		SHEET:	1 OF 1

UNLESS OTHERWISE SPECIFIED DIMENSIONS ARE IN MILLIMETERS AND TOLERANCES ARE +/-0,5

REV	DESCRIPTION	DATE	APPROVED
REVISION HISTORY			