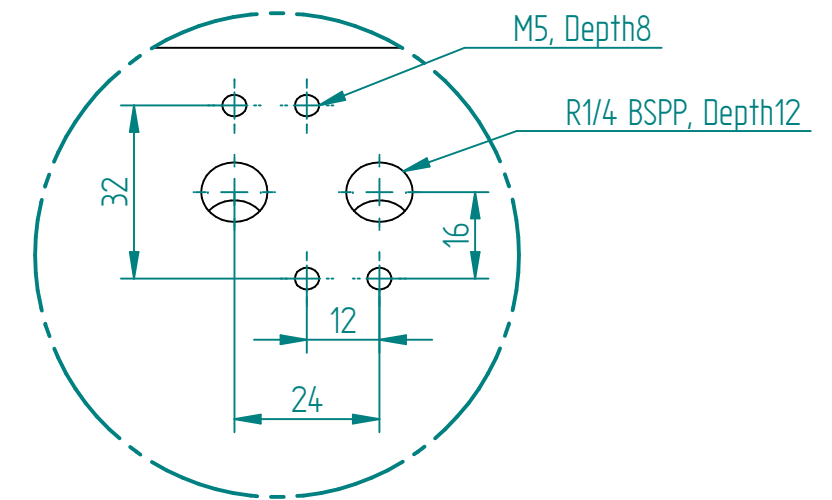
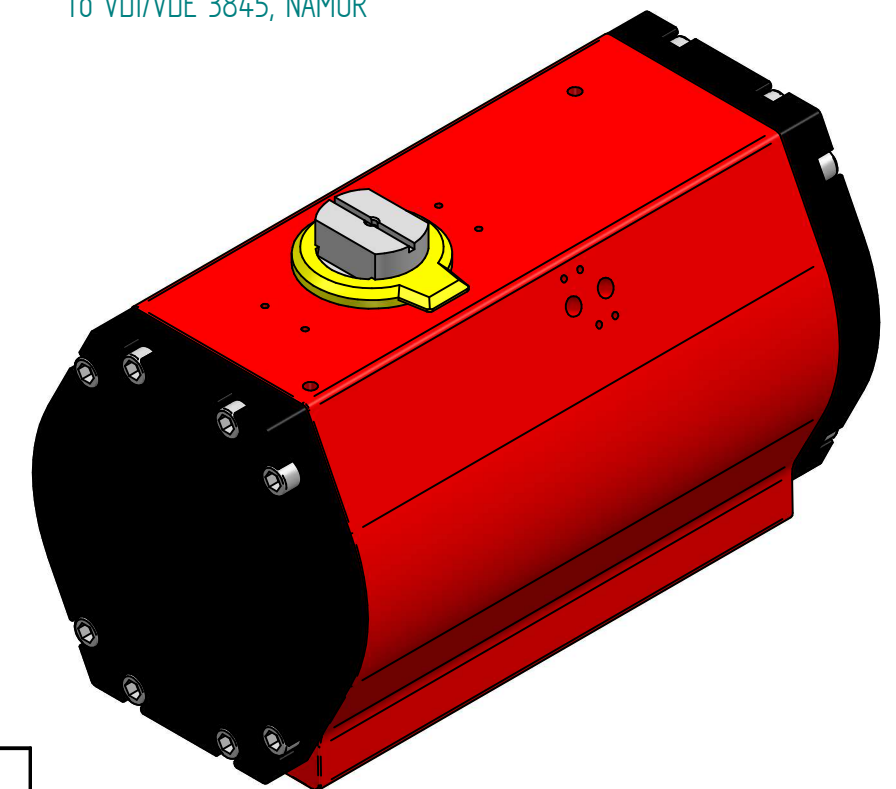


Function	Position 0°=closed 90°=open	2,1 bar 30 psi	2,8 bar 40 psi	3,5 bar 50 psi	4,2 bar 60 psi	4,5 bar 65 psi	5,5 bar 80 psi	6 bar 87 psi	7 bar 100 psi
Air	0°	630	840	1050	1260	1350	1733	1890	2200
Air	60°	315	420	525	630	675	862	940	1100
Air	90°	455	607	758	910	975	1247	1360	1590



DETAIL A 1:1,25

Hole pattern for solenoid valves acc. to VDI/VDE 3845, NAMUR



TITLE PNEUMATIC DOUBLE ACTING ACTUATOR RC270 DA	NAME	DATE	SIZE	DWG NO	UNLESS OTHERWISE SPECIFIED DIMENSIONS ARE IN MILLIMETERS AND TOLERANCES ARE +/-0,5
	DRAWN	MOTO	11.06.2014	A3 REM00007	
	CHECKED	TOCO	dd.mm.yyyy	FILE NAME: REM00007.dft	
	ENG APPR	TOCO	dd.mm.yyyy	SCALE: 1:4	
MGR APPR	TOCO	dd.mm.yyyy	WEIGHT:	SHEET: 1 OF 1	

REV	DESCRIPTION	DATE	APPROVED
REVISION HISTORY			