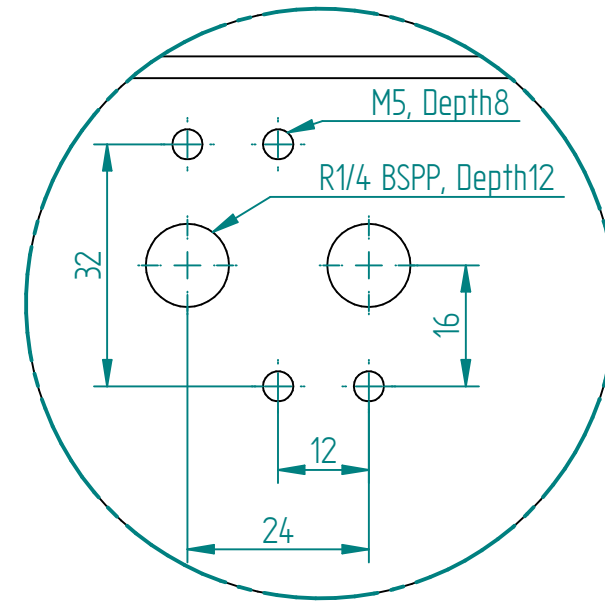
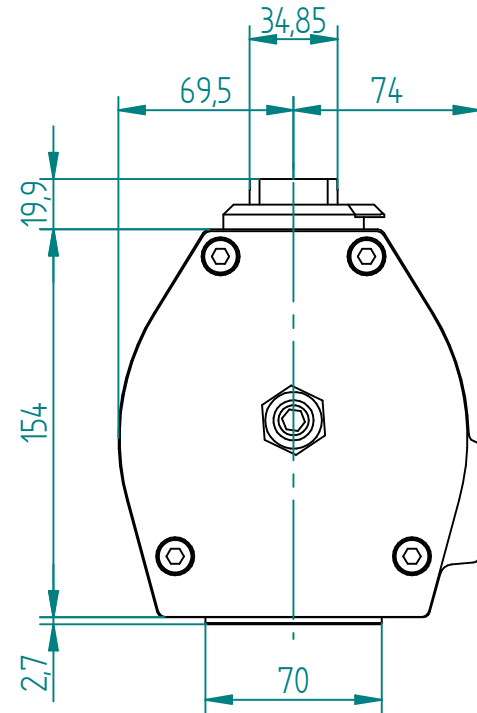
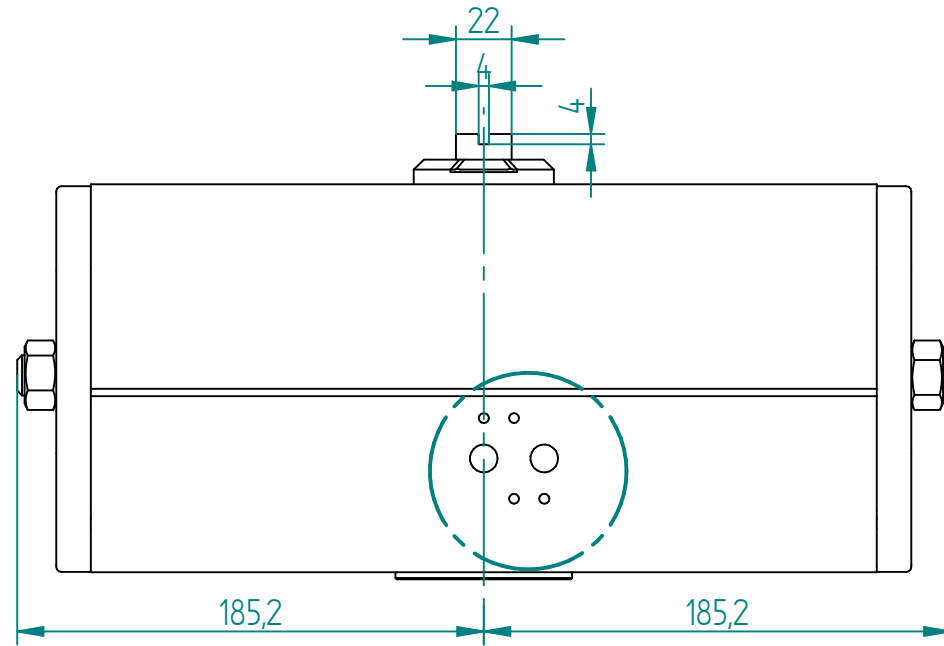
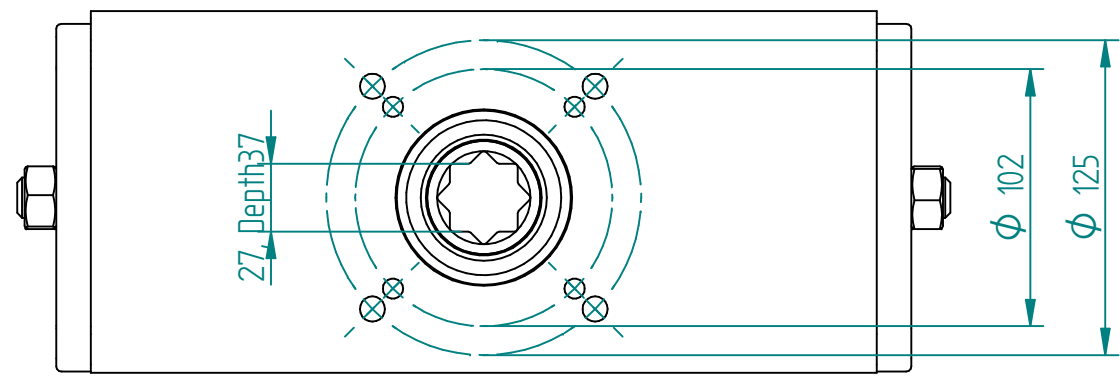
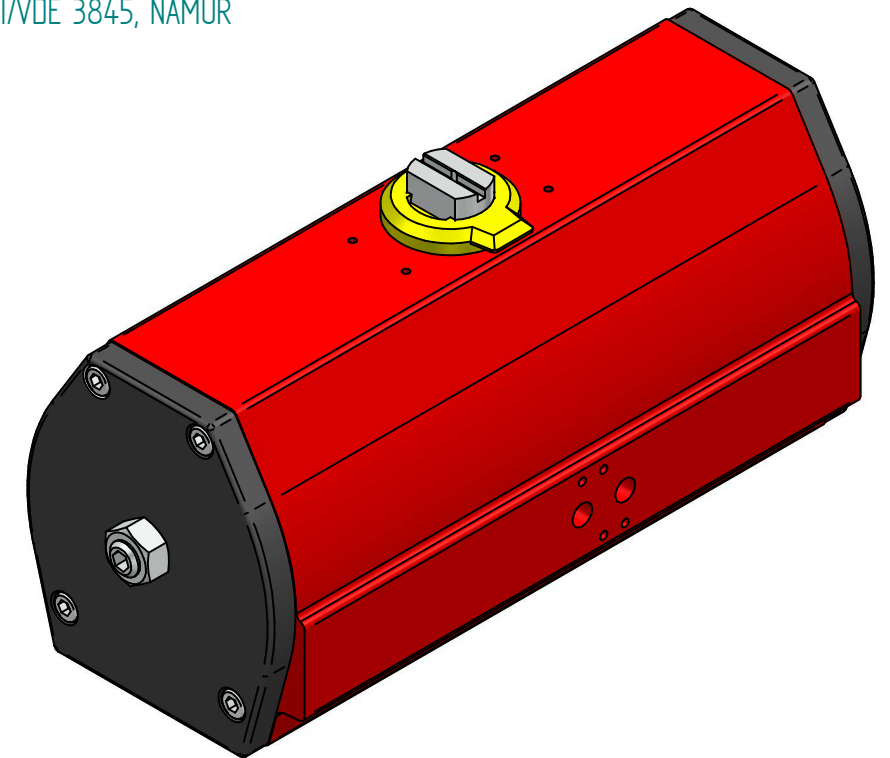
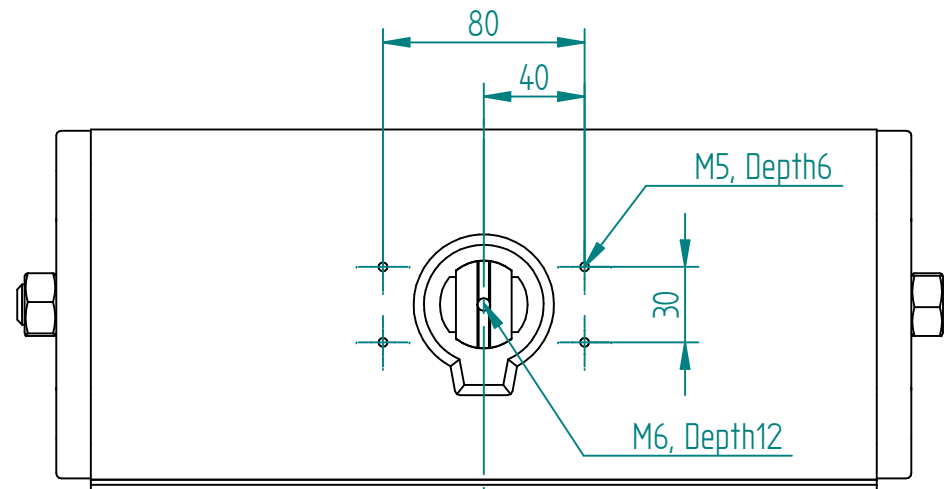


Function	Position 0°=closed 90°=open	2,1 bar 30 psi	2,8 bar 40 psi	3,5 bar 50 psi	4,2 bar 60 psi	4,5 bar 65 psi	5,5 bar 80 psi	6 bar 87 psi	7 bar 100 psi
Air	0°	305	407	508	610	654	834	910	1070
Air	60°	150	200	250	300	321	422	460	530
Air	90°	220	293	367	440	471	w596	650	770



DETAIL A 1:1

Hole pattern for solenoid valves acc. to VDI/VDE 3845, NAMUR



TITLE PNEUMATIC DOUBLE ACTING ACTUATOR RC260 DA	DRAWN	MOTO	11.06.2014	SIZE A3	DWG NO REM00006
	CHECKED	TOCO	dd.mm.yyyy	FILE NAME: REM00006.dft	
	ENG APPR	TOCO	dd.mm.yyyy	SCALE: 1:3	REV:
	MGR APPR	TOCO	dd.mm.yyyy	WEIGHT:	SHEET: 1 OF 1

UNLESS OTHERWISE SPECIFIED DIMENSIONS ARE IN MILLIMETERS AND TOLERANCES ARE +/-0,5

REV	DESCRIPTION	DATE	APPROVED
REVISION HISTORY			