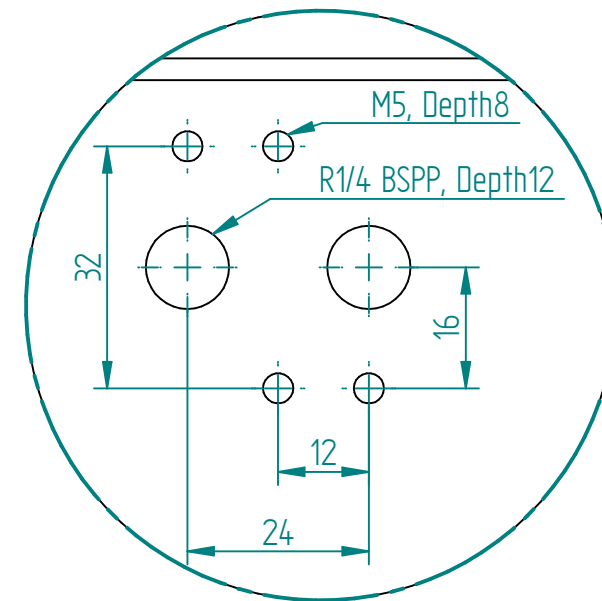
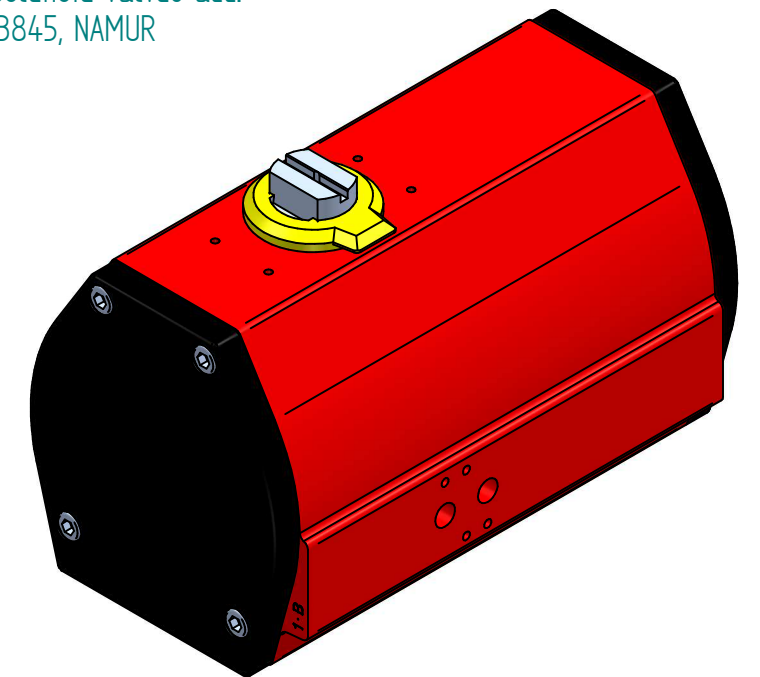


Function	Position 0°=closed 90°=open	2,1 bar 30 psi	2,8 bar 40 psi	3,5 bar 50 psi	4,2 bar 60 psi	4,5 bar 65 psi	5,5 bar 80 psi	6 bar 87 psi	7 bar 100 psi
Air	0°	150	200	250	300	321	413	450	530
Air	60°	75	100	125	150	161	206	225	260
Air	90°	108	143	179	215	230	293	320	380



DETAIL A 1:1

Hole pattern for solenoid valves acc. to VDI/VDE 3845, NAMUR



TITLE PNEUMATIC DOUBLE ACTING ACTUATOR RC250 DA	NAME	MOTO	DATE	13.06.2014	SIZE	A3	DWG NO	REM00005C
	DRAWN	MOTO	DATE	dd.mm.yyyy	FILE NAME:	REM00005C.dft		
	CHECKED	TOCO	DATE	dd.mm.yyyy	SCALE:	1:3	REV:
	ENG APPR	TOCO	DATE	dd.mm.yyyy	WEIGHT:		SHEET:	1 OF 1
	MGR APPR	TOCO	DATE	dd.mm.yyyy				

UNLESS OTHERWISE SPECIFIED DIMENSIONS ARE IN MILLIMETERS AND TOLERANCES ARE +/-0,5

REV	DESCRIPTION	DATE	APPROVED
REVISION HISTORY			