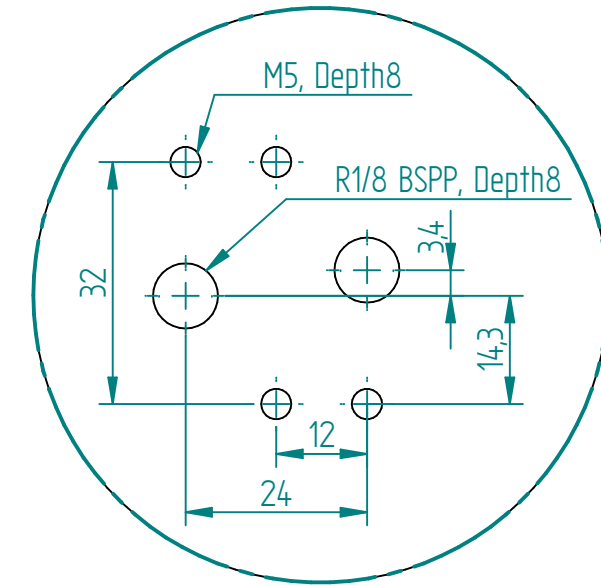
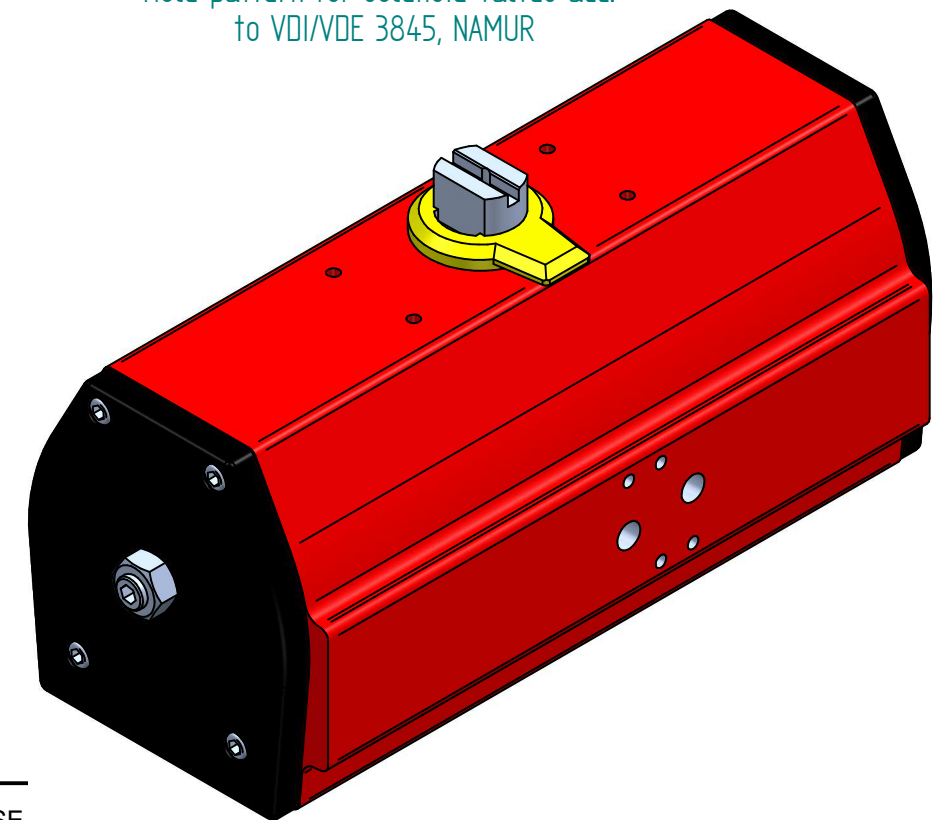


Function	Position 0°=closed 90°=open	2,1 bar 30 psi	2,8 bar 40 psi	3,5 bar 50 psi	4,2 bar 60 psi	4,5 bar 65 psi	5,5 bar 80 psi	6 bar 87 psi	7 bar 100 psi
Air	0°	98	130	162	195	209	266	290	340
Air	60°	49	65	81	97	104	133	145	170
Air	90°	70	93	117	140	150	193	210	240



DETAIL A 1:1

Hole pattern for solenoid valves acc. to VDI/VDE 3845, NAMUR



		NAME	DATE	SIZE	DWG NO
DRAWN		MOTO	11.06.2014	A3	REM00004
CHECKED		TOCO	dd.mm.yyyy	FILE NAME: REM00004.dft	
ENG APPR		TOCO	dd.mm.yyyy	SCALE: 1:2	REV:
MGR APPR		TOCO	dd.mm.yyyy	WEIGHT:	SHEET: 1 OF 1

UNLESS OTHERWISE SPECIFIED DIMENSIONS ARE IN MILLIMETERS AND TOLERANCES ARE +/-0,5

REV	DESCRIPTION	DATE	APPROVED
REVISION HISTORY			

TITLE PNEUMATIC DOUBLE ACTING ACTUATOR RC240 DA