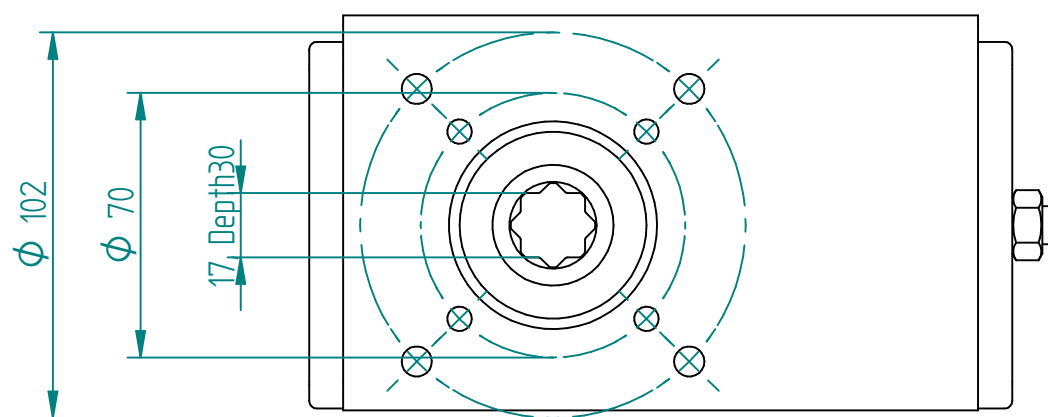
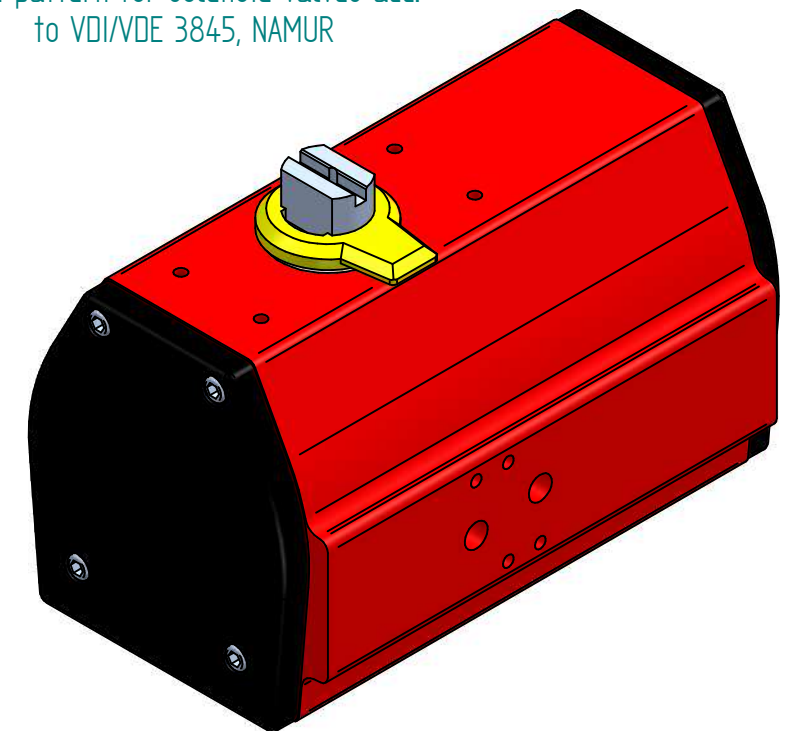


DETAIL A 1:1

Hole pattern for solenoid valves acc. to VDI/VDE 3845, NAMUR



Function	Position 0°=closed 90°=open	2,1 bar 30 psi	2,8 bar 40 psi	3,5 bar 50 psi	4,2 bar 60 psi	4,5 bar 65 psi	5,5 bar 80 psi	6 bar 87 psi	7 bar 100 psi
Air	0°	48	64	80	96	103	133	145	165
Air	60°	24	31	39	47	50	66	72	83
Air	90°	35	46	57	69	74	96	105	120



DRAWN	NAME	DATE	SIZE	DWG NO	
				MOTO	11.06.2014
CHECKED	TOCO	dd.mm.yyyy	FILE NAME: REM00003.dft		
ENG APPR	TOCO	dd.mm.yyyy	SCALE: 2:1	REV:	
MGR APPR	TOCO	dd.mm.yyyy	WEIGHT:	SHEET: 1 OF 1	

UNLESS OTHERWISE SPECIFIED DIMENSIONS ARE IN MILLIMETERS AND TOLERANCES ARE +/-0,5

REV	DESCRIPTION	DATE	APPROVED
REVISION HISTORY			

TITLE PNEUMATIC DOUBLE ACTING ACTUATOR RC230 DA