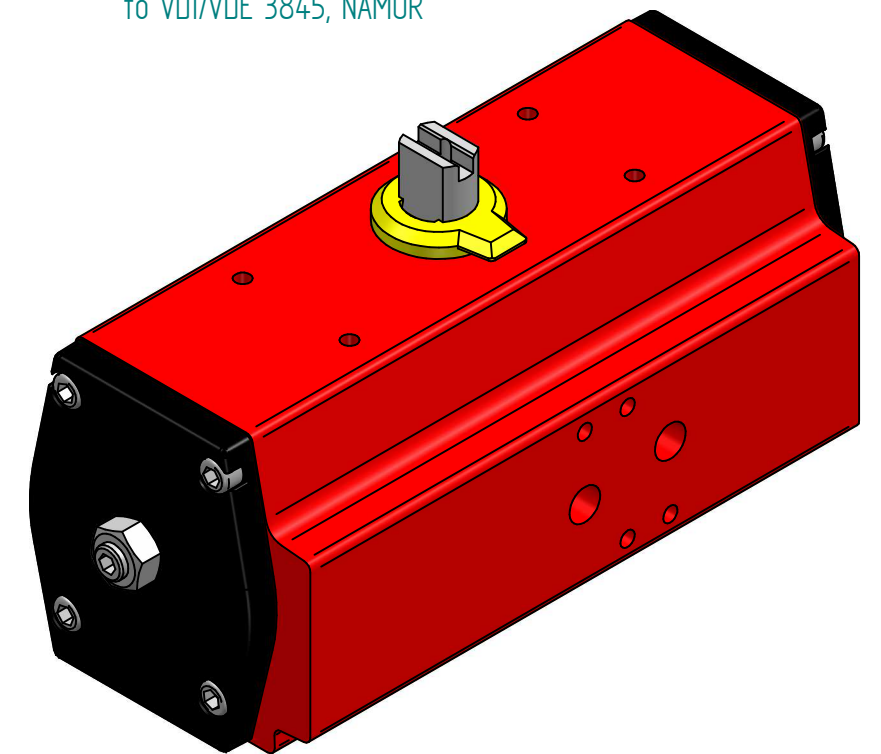


DETAIL A 1:1

Hole pattern for solenoid valves acc. to VDI/VDE 3845, NAMUR



Function	Position 0°=closed 90°=open	2,1 bar 30 psi	2,8 bar 40 psi	3,5 bar 50 psi	4,2 bar 60 psi	4,5 bar 65 psi	5,5 bar 80 psi	6 bar 87 psi	7 bar 100 psi
Air	0°	26	34	42	51	55	70	76	88
Air	60°	13	17	21	25	27	35	38	44
Air	90°	18	24	30	36	39	50	54	63



TITLE	PNEUMATIC DOUBLE ACTING ACTUATOR RC220 DA	NAME	DATE	SIZE	DWG NO	UNLESS OTHERWISE SPECIFIED DIMENSIONS ARE IN MILLIMETERS AND TOLERANCES ARE +/-0,5
		MOTO	11.06.2014	A3	REM00002B	
CHECKED	TOCO	dd.mm.yyyy	FILE NAME: REM00002B.dft			
ENG APPR	TOCO	dd.mm.yyyy	SCALE: 2:1	REV:		
MGR APPR	TOCO	dd.mm.yyyy	WEIGHT:	SHEET: 1 OF 1		

REV	DESCRIPTION	DATE	APPROVED
REVISION HISTORY			