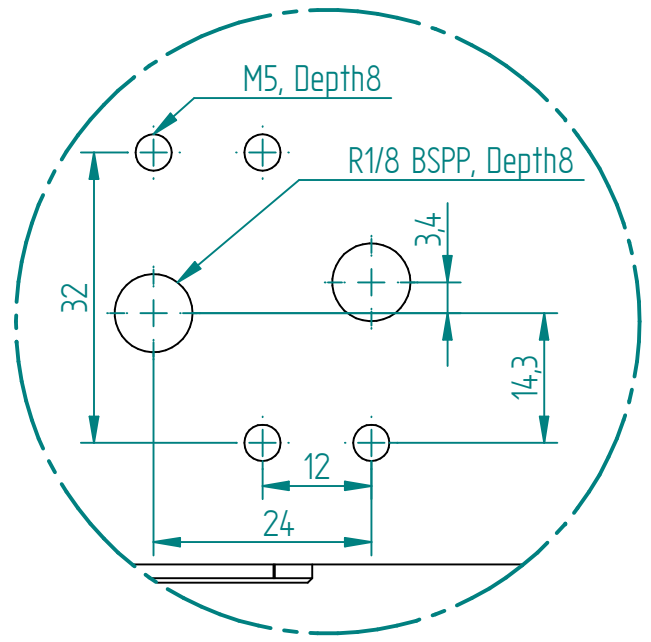
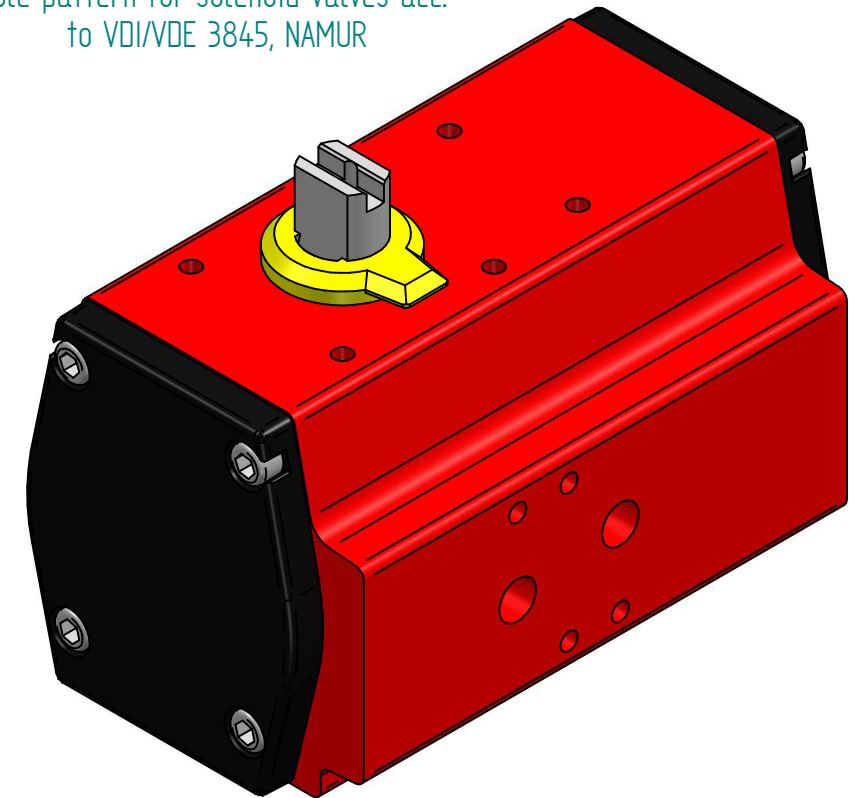


Function	Position 0°=closed 90°=open	2,1 bar 30 psi	2,8 bar 40 psi	3,5 bar 50 psi	4,2 bar 60 psi	4,5 bar 65 psi	5,5 bar 80 psi	6 bar 87 psi	7 bar 100 psi
Air	0°	13	17	21	25	27	35	38	44
Air	60°	6	8	10	12	13	17	19	22
Air	90°	9	12	15	18	19	25	27	32



**DETAIL A 1,2:1**

Hole pattern for solenoid valves acc. to VDI/VDE 3845, NAMUR



TITLE PNEUMATIC DOUBLE ACTING ACTUATOR RC210 DA	NAME	MOTO	DATE	11.06.2014	SIZE	A3	DWG NO	REM00001B
	DRAWN	TOCO	dd.mm.yyyy		FILE NAME:	REM00001B.dft		
	CHECKED	TOCO	dd.mm.yyyy		SCALE:	1:1,25	REV:	.....
	ENG APPR	TOCO	dd.mm.yyyy		WEIGHT:		SHEET:	1 OF 1
	MGR APPR	TOCO	dd.mm.yyyy					

UNLESS OTHERWISE SPECIFIED DIMENSIONS ARE IN MILLIMETERS AND TOLERANCES ARE +/-0,5

REV	DESCRIPTION	DATE	APPROVED
REVISION HISTORY			