

# RCC200

Pneumatic Actuator for offshore and arduous conditions



Remote Control RCC200 pneumatic steel epoxy coated actuator for offshore, petrochemical and other industrial hard conditions.

RCC200-DA/SR are available in six different sizes. Connections according to DIN/ISO 5211 and VDI/VDE 3845.

Remote Control has for 50 years manufactured high quality actuators. Part of challenge is to develop solutions for situations where extremely high demands are made on functions and safety

## Technical Data

- Pneumatic Quarter turn actuator
- Type RCC200-DA  
Double acting
- Type RCC200-SR  
Single acting with spring return
- Working pressure: Max 10 bar
- Operating Media: Air or inert gases. (on request also low-pressure hydraulics)
- Temperatur range:  
-20 °C to +80 °C  
(Actuators for other temperatures can be delivered on request)
- Material: Body in Carbon steel epoxycoated, shaft in stainless steel, cylinder surface inside treated with PTFE.)
- Connections comply with  
DIN 3337/ISO 5211,  
VDI/VDE 3845
- Torque range at 6 bar air pressure:  
Double acting 38-910  
Nm Spring return 12-305 Nm

## DIMENSIONS RCC-DA

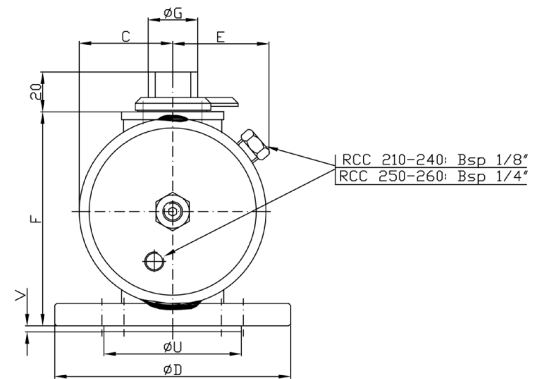
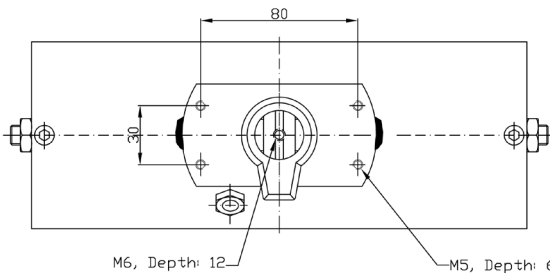
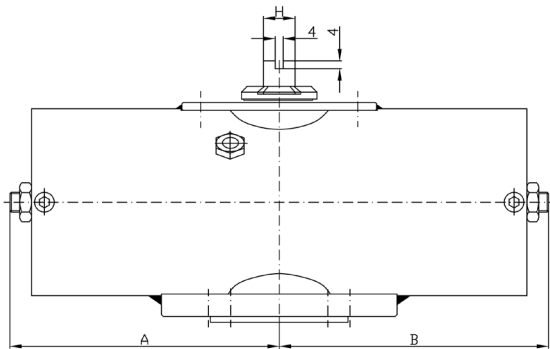
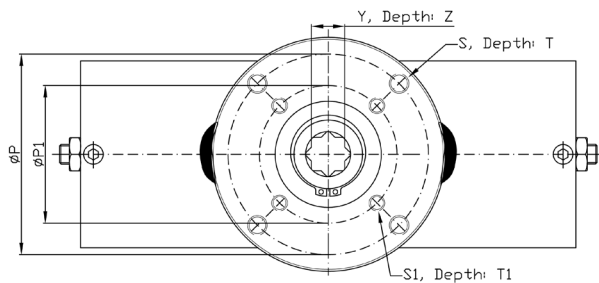
| Actuators | N.FL | A   | B   | C  | D   | E  | F   | G  | H  | FL   | P    | S    | T   | FL   | P1   | S1   | T1  | U  | V | Y** | Z  |
|-----------|------|-----|-----|----|-----|----|-----|----|----|------|------|------|-----|------|------|------|-----|----|---|-----|----|
| RCC210-DA | F05  | 55  | 100 | 33 | 60  | 33 | 75  | 16 | 10 | F05  | 50   | M6   | 10  | -    | -    | -    | -   | 35 | 2 | 14  | 19 |
| RCC220-DA | F05  | 100 | 100 | 33 | 60  | 33 | 75  | 16 | 10 | F05  | 50   | M6   | 10  | -    | -    | -    | -   | 35 | 2 | 14  | 19 |
| RCC230-DA | F07  | 75  | 140 | 48 | 119 | 48 | 110 | 25 | 16 | F10* | 102* | M10* | 16* | F07  | 70   | M8   | 13  | 55 | 3 | 17  | 30 |
| RCC240-DA | F10  | 140 | 140 | 48 | 119 | 48 | 110 | 25 | 16 | F10  | 102  | M10  | 17  | F07* | 70*  | M8*  | 13* | 70 | 3 | 22  | 30 |
| RCC250-DA | F10  | 95  | 190 | 70 | 150 | 70 | 155 | 35 | 22 | F12* | 125* | M12* | 21* | F10  | 102  | M10  | 16  | 70 | 3 | 22  | 37 |
| RCC260-DA | F12  | 190 | 190 | 70 | 150 | 70 | 155 | 35 | 22 | F12  | 125  | M12  | 21  | F10* | 102* | M10* | 16* | 85 | 3 | 27  | 37 |

## DIMENSIONS RCC-SR

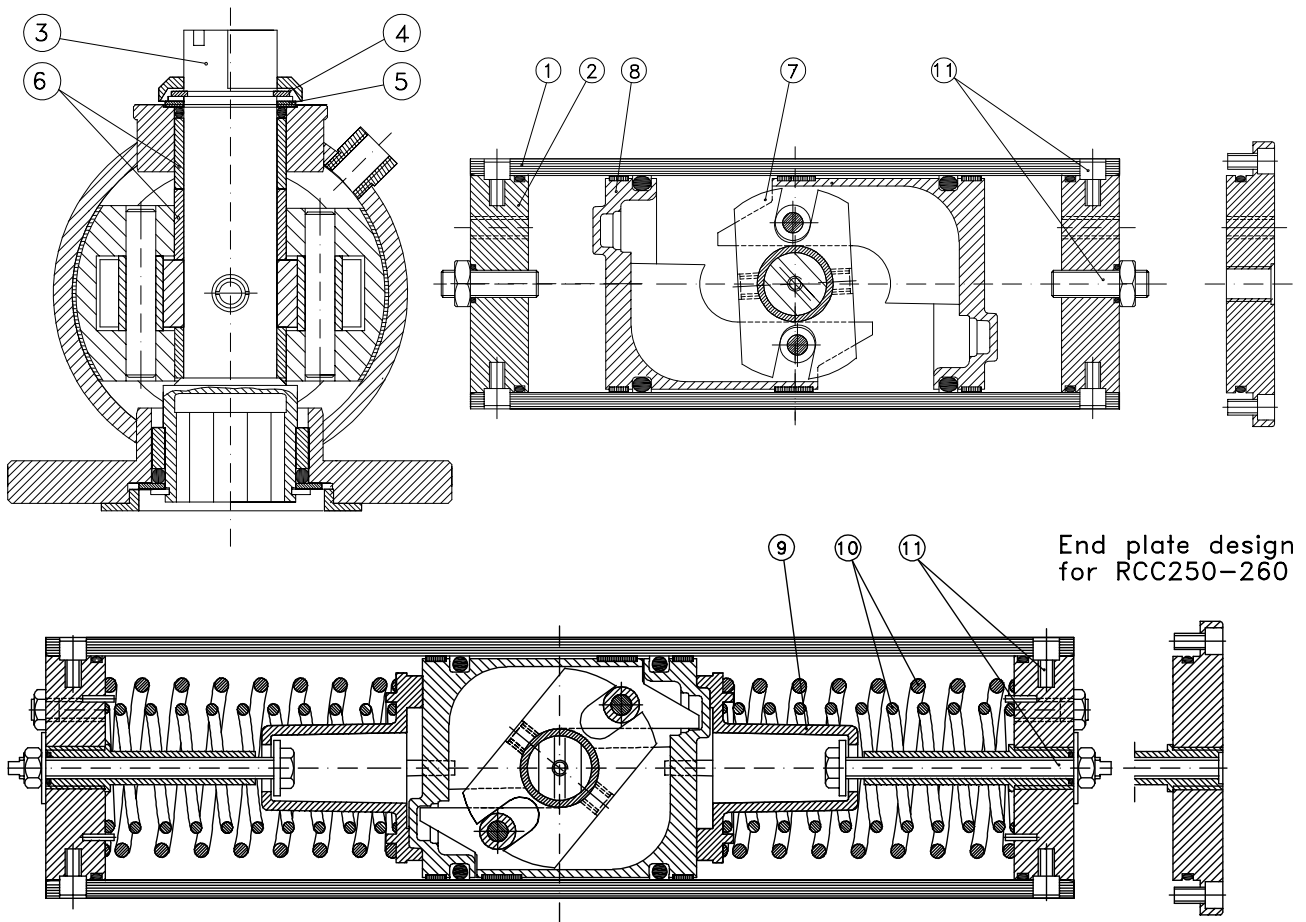
| Actuators | N.FL | A   | B   | C  | D   | E  | F   | G  | H  | FL   | P    | S    | T   | FL   | P1   | S1   | T1  | U  | V | Y** | Z  |
|-----------|------|-----|-----|----|-----|----|-----|----|----|------|------|------|-----|------|------|------|-----|----|---|-----|----|
| RCC210-DA | F05  | 55  | 160 | 33 | 60  | 33 | 75  | 16 | 10 | F05  | 50   | M6   | 10  | -    | -    | -    | -   | 35 | 2 | 14  | 19 |
| RCC220-DA | F05  | 160 | 160 | 33 | 60  | 33 | 75  | 16 | 10 | F05  | 50   | M6   | 10  | -    | -    | -    | -   | 35 | 2 | 14  | 19 |
| RCC230-DA | F07  | 75  | 205 | 48 | 119 | 48 | 110 | 25 | 16 | F10* | 102* | M10* | 16* | F07  | 70   | M8   | 13  | 55 | 3 | 17  | 30 |
| RCC240-DA | F10  | 205 | 205 | 48 | 119 | 48 | 110 | 25 | 16 | F10  | 102  | M10  | 17  | F07* | 70*  | M8*  | 13* | 70 | 3 | 22  | 30 |
| RCC250-DA | F10  | 95  | 280 | 70 | 150 | 70 | 155 | 35 | 22 | F12* | 125* | M12* | 21* | F10  | 102  | M10  | 16  | 70 | 3 | 22  | 37 |
| RCC260-DA | F12  | 280 | 280 | 70 | 150 | 70 | 155 | 35 | 22 | F12  | 125  | M12  | 21  | F10* | 102* | M10* | 16* | 85 | 3 | 27  | 37 |

\* = Extra mounting holes on RCC 230-260 for alternative ISO/DIN pattern.

\*\* = Tolerance H9. The hole is octagonal and adapts to valve stems with squares both 90° and 45 direction



Draw. No 00376



## Technical Data

- |   |   |   |
|---|---|---|
| <p><b>1. Cylinder</b><br/>Carbon steel, epoxy coated, internal teflon coated.</p> | <p><b>5. Thrust washers</b><br/>POM (Delrin), middle washer in stainless steel.</p> | <p><b>9. Spring steering</b><br/>Aluminium<br/>Option: Anodized</p>                 |
| <p><b>2. End plates</b><br/>Carbon steel, zink plated and epoxy coated</p>        | <p><b>6. Bearing and support ring</b><br/>POM (Delrin)<br/>Option: Tin bronze</p>   | <p><b>10. Springs</b><br/>Spring steel, ball blasted, anti-corrosion protected.</p> |
| <p><b>3. Shaft</b><br/>Stainless steel</p>  | <p><b>7. Scotch yoke</b><br/>Carbon steel, hardened</p>                             | <p><b>11. Fastening and adjustment screws</b><br/>Stainless steel</p>               |
| <p><b>4. Circlips</b><br/>Carbon steel with dacrolite treatment.</p>              | <p><b>8. Piston</b><br/>Aluminium<br/>Option: Anodized</p>                          |   |

## RCC200-SR - Single acting - Spring closes - Torques Nm

**4,2 bar/60 psi**

Air opens →      Spring closes →

| Type      | 0°  | 60° | 90° | 90° | 30° | 0°  |
|-----------|-----|-----|-----|-----|-----|-----|
| RCC210-SR | 14  | 6   | 7,5 | 12  | 6   | 8,5 |
| RCC220-SR | 29  | 12  | 15  | 25  | 12  | 17  |
| RCC230-SR | 54  | 23  | 29  | 47  | 23  | 33  |
| RCC240-SR | 110 | 47  | 58  | 96  | 47  | 66  |
| RCC250-SR | 170 | 74  | 90  | 150 | 74  | 100 |
| RCC260-SR | 345 | 150 | 180 | 305 | 150 | 210 |

**6 bar/87 psi**

Air opens →      Spring closes →

| Type      | 0°  | 60° | 90° | 90° | 30° | 0°  |
|-----------|-----|-----|-----|-----|-----|-----|
| RCC210-SR | 20  | 9   | 11  | 18  | 9   | 12  |
| RCC220-SR | 41  | 18  | 22  | 37  | 18  | 25  |
| RCC230-SR | 78  | 33  | 41  | 69  | 33  | 47  |
| RCC240-SR | 158 | 68  | 84  | 140 | 68  | 96  |
| RCC250-SR | 245 | 105 | 130 | 215 | 105 | 150 |
| RCC260-SR | 500 | 215 | 265 | 440 | 215 | 305 |

**5,5 bar/80 psi**

Air opens →      Spring closes →

| Type      | 0°  | 60° | 90° | 90° | 30° | 0°  |
|-----------|-----|-----|-----|-----|-----|-----|
| RCC210-SR | 18  | 8   | 10  | 16  | 8   | 11  |
| RCC220-SR | 38  | 17  | 20  | 34  | 16  | 23  |
| RCC230-SR | 72  | 30  | 38  | 63  | 30  | 43  |
| RCC240-SR | 145 | 63  | 77  | 129 | 63  | 88  |
| RCC250-SR | 225 | 97  | 120 | 198 | 97  | 138 |
| RCC260-SR | 460 | 198 | 244 | 405 | 198 | 281 |

**7 bar/100 psi**

Air opens →      Spring closes →

| Type      | 0°  | 60° | 90° | 90° | 30° | 0°  |
|-----------|-----|-----|-----|-----|-----|-----|
| RCC210-SR | 24  | 10  | 13  | 21  | 10  | 14  |
| RCC220-SR | 48  | 21  | 26  | 43  | 21  | 29  |
| RCC230-SR | 92  | 39  | 48  | 81  | 39  | 55  |
| RCC240-SR | 185 | 80  | 98  | 163 | 80  | 115 |
| RCC250-SR | 290 | 125 | 155 | 255 | 125 | 175 |
| RCC260-SR | 580 | 250 | 310 | 515 | 250 | 350 |

0° = Closed position  
90° = Open position

## RCC200-DA - Double acting actuators - Torques Nm

**4 bar**

Air opens / Air closes ↔

| Type      | 0°  | 50° | 90° |
|-----------|-----|-----|-----|
| RCC210-DA | 25  | 12  | 18  |
| RCC220-DA | 51  | 25  | 36  |
| RCC230-DA | 96  | 47  | 69  |
| RCC240-DA | 195 | 97  | 140 |
| RCC250-DA | 300 | 150 | 215 |
| RCC260-DA | 610 | 300 | 440 |

**6 bar**

Air opens / Air closes ↔

| Type      | 0°  | 50° | 90° |
|-----------|-----|-----|-----|
| RCC210-DA | 38  | 19  | 27  |
| RCC220-DA | 76  | 38  | 54  |
| RCC230-DA | 145 | 72  | 105 |
| RCC240-DA | 290 | 145 | 210 |
| RCC250-DA | 450 | 225 | 320 |
| RCC260-DA | 910 | 460 | 650 |

**5,5 bar**

Air opens / Air closes ↔

| Type      | 0°  | 50° | 90° |
|-----------|-----|-----|-----|
| RCC210-DA | 34  | 17  | 25  |
| RCC220-DA | 70  | 35  | 50  |
| RCC230-DA | 130 | 66  | 95  |
| RCC240-DA | 270 | 135 | 190 |
| RCC250-DA | 410 | 210 | 300 |
| RCC260-DA | 840 | 420 | 600 |

**7 bar**

Air opens / Air closes ↔

| Type      | 0°   | 50° | 90° |
|-----------|------|-----|-----|
| RCC210-DA | 44   | 22  | 32  |
| RCC220-DA | 88   | 44  | 63  |
| RCC230-DA | 165  | 83  | 120 |
| RCC240-DA | 340  | 170 | 240 |
| RCC250-DA | 530  | 260 | 380 |
| RCC260-DA | 1070 | 530 | 770 |

0° = Closed position  
90° = Open position

We reserve the right to make changes without notice

