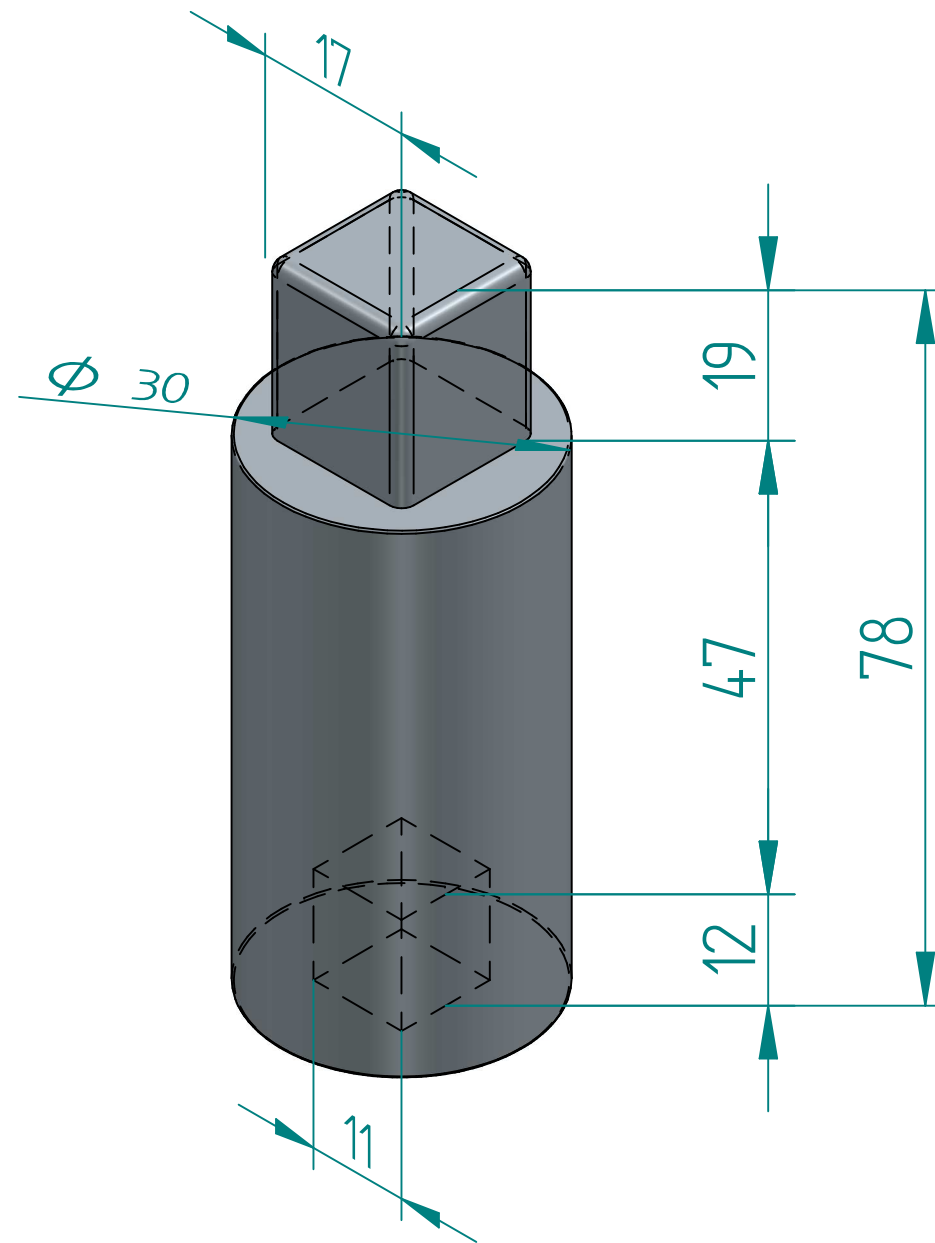


TITLECOUPLER FOR MARS SERIE 99D DN32 17MM SQR		NAME	DATE	SIZE	DWG NO
	DRAWN	CHCO	29.06.2018	A3	REM-105-001-0032
	CHECKED	MOTO	16.08.2018	FILE NAME: REM-105-001-0032.dft	
	ENG APPR	TOCO	dd.mm.yyyy	SCALE: 1:1	REV:
	MGR APPR	TOCO	dd.mm.yyyy	WEIGHT: 0,367 kg	SHEET: 1 OF 2

UNLESS OTHERWISE SPECIFIED
 DIMENSIONS ARE IN MILLIMETERS
 AND TOLERANCES ARE +/-0,5

REV	DESCRIPTION	DATE	APPROVED
REVISION HISTORY			



TITLECOUPLER FOR MARS SERIE 99D DN32 17MM SQR		NAME	DATE	SIZE	DWG NO
	DRAWN	CHCO	29.06.2018	A3	REM-105-001-0032
	CHECKED	MOTO	16.08.2018	FILE NAME: REM-105-001-0032.dft	
	ENG APPR	TOCO	dd.mm.yyyy	SCALE: 1,5:1	REV:
	MGR APPR	TOCO	dd.mm.yyyy	WEIGHT: 0,367 kg	SHEET: 2 OF 2

UNLESS OTHERWISE SPECIFIED
DIMENSIONS ARE IN MILLIMETERS
AND TOLERANCES ARE +/-0,5

REV	DESCRIPTION	DATE	APPROVED
REVISION HISTORY			