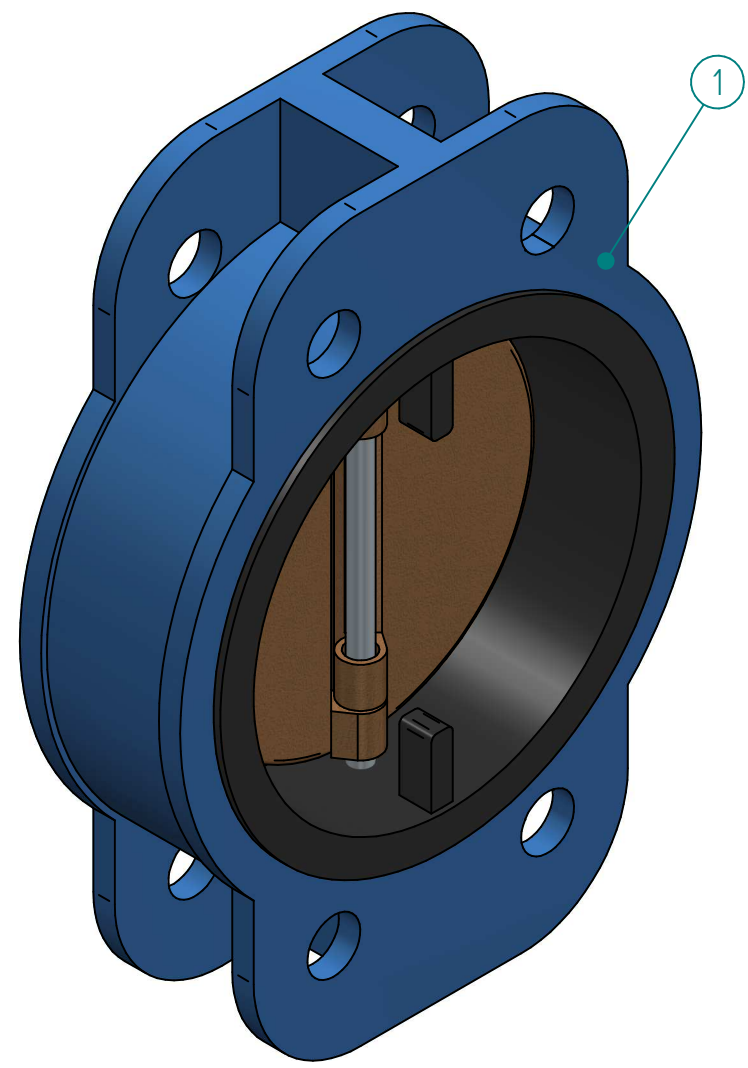
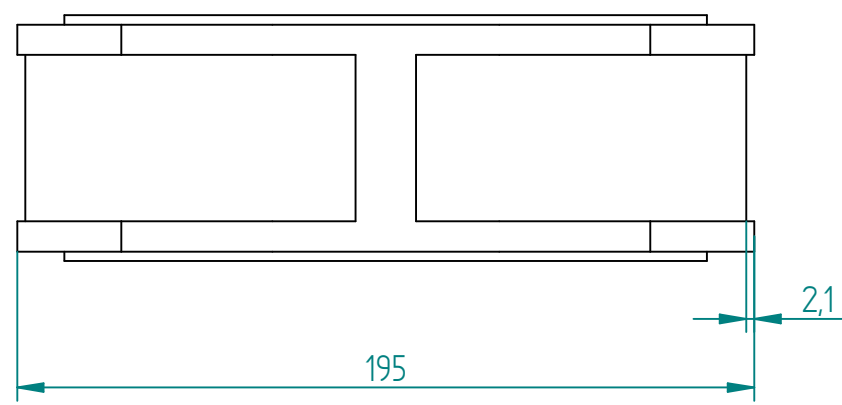
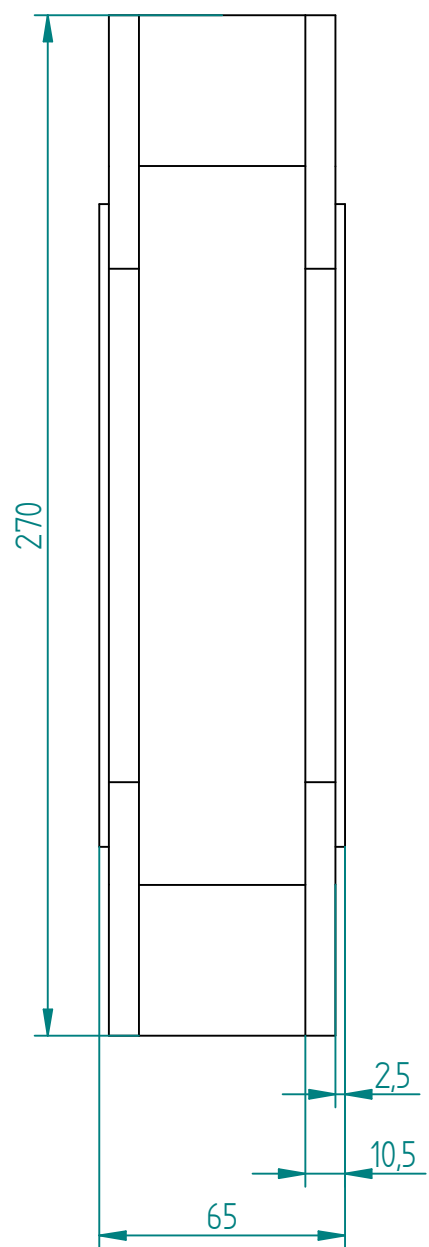
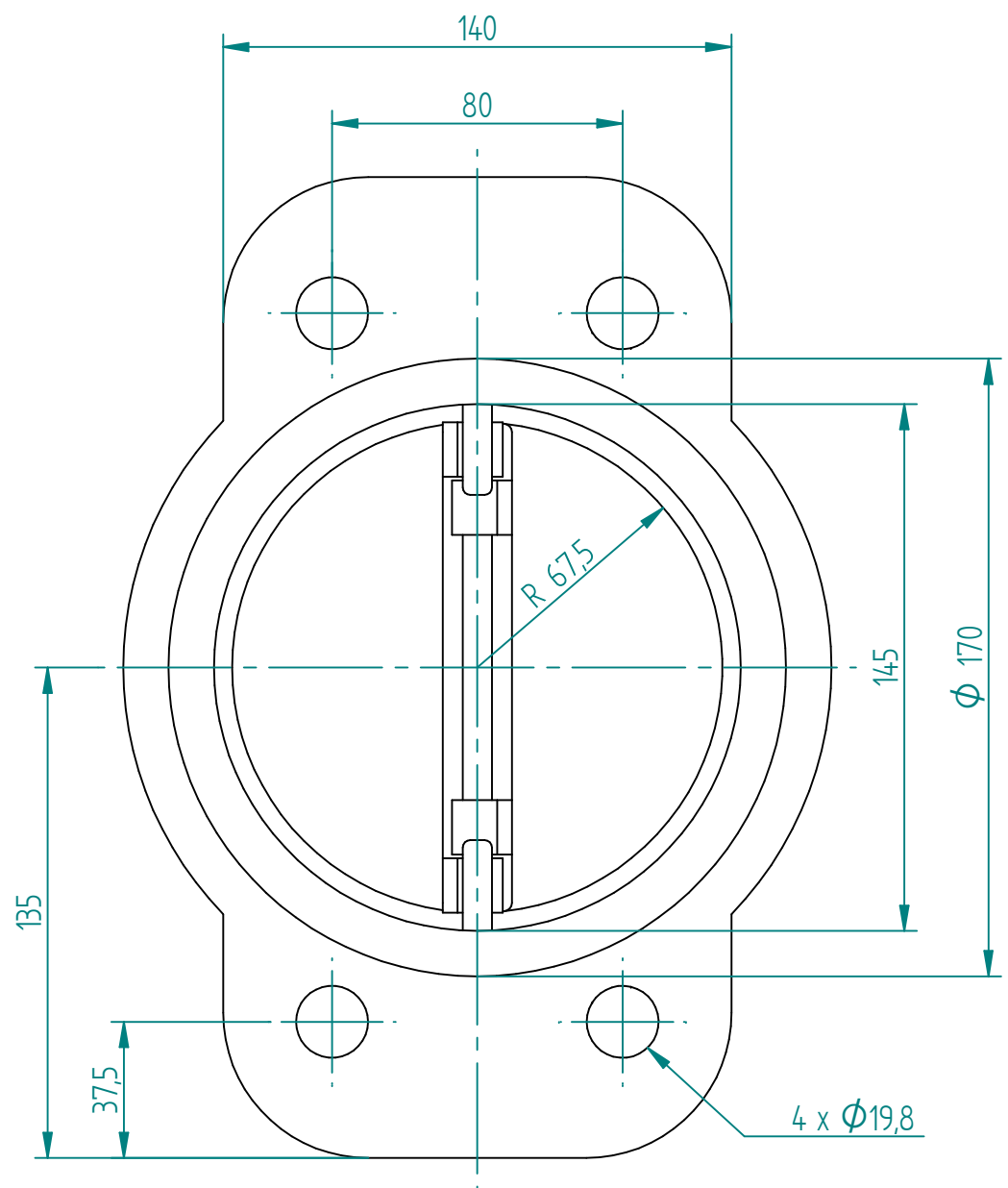



POS	Item Number	Description
1	QKC702805	DUO-CHECK VALVE PN 16 DN125 RUBBER COATED EPDM



		NAME	DATE	SIZE	DWG NO	UNLESS OTHERWISE SPECIFIED DIMENSIONS ARE IN MILLIMETERS AND TOLERANCES ARE +/-0,5
	DRAWN	MOTO	19.09.2014	A3	QKC702805	
	CHECKED	TOCO	19.09.2014	FILE NAME: QKC702805.dft		
	ENG APPR	TOCO	19.09.2014	SCALE: 1:2	REV:	
TITLE	DUO-CHECK VALVE PN 16 DN125	MGR APPR	TOCO	19.09.2014	WEIGHT:	SHEET: 1 OF 1

REV	DESCRIPTION	DATE	APPROVED
REVISION HISTORY			