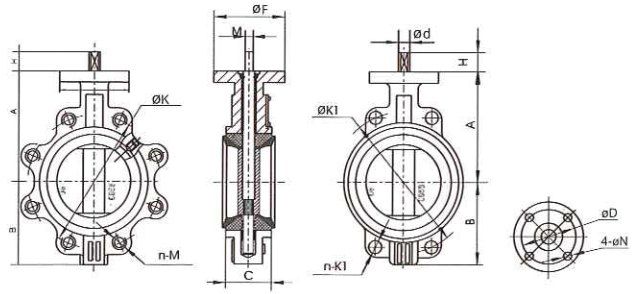
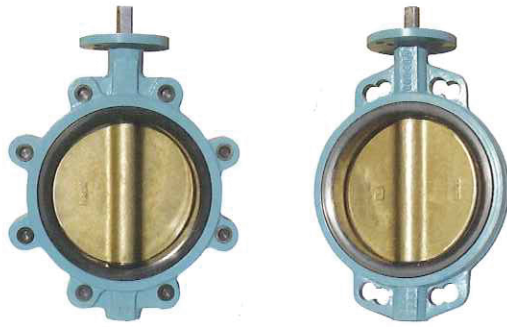
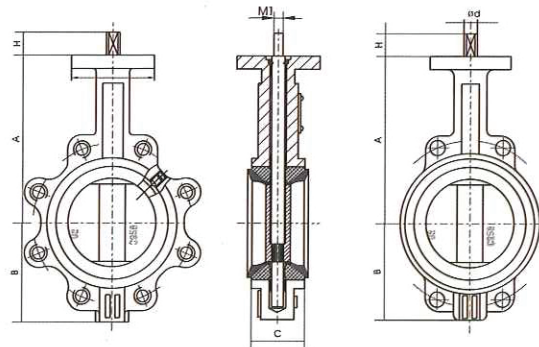


Short neck butterfly valve one spline shaft without pins



						ISO PN10			ISO PN16			ANSI 150						
12"	283	255	78	150	125	4-ø14	31.6	45	24	400	12-ø24	12-M23	410	12-ø28	12-M24	432	12-ø25	12-7/8
10"	244	220	68	125	102	4-ø12	28.45	45	22	350	12-ø24	12-M23	355	12-ø28	12-M24	362	12-ø25	12-7/8
8"	213	175	60	125	102	4-ø12	22.1	45	15.9	295	8-ø24	8-M23	295	12-ø23	12-M20	298.5	8-ø22	8-3/4
6"	184	140	56	90	70	4-ø10	18.92	32	12.7	240	8-ø24	8-M23	240	8-ø23	8-M20	241.5	8-ø22	8-3/4
5"	168	127	56	90	70	4-ø10	18.92	32	12.7	210	8-ø19	8-M16	210	8-ø19	8-M16	216	8-ø22	8-3/4
4"	156	114	52	90	70	4-ø10	15.8	32	11.1	180	8-ø19	8-M16	180	8-ø19	8-M16	190.5	8-ø19	8-5/8
3"	141	95	46	90	50	4-ø7	12.6	32	9.5	160	8-ø19	8-M16	160	8-ø19	8-M16	152.5	4-ø19	4-5/8
2.5"	134	89	46	90	50	4-ø7	12.6	32	9.5	145	4-ø19	4-M16	145	4-ø19	4-M16	139.5	4-ø19	4-5/8
2"	124	80	43	90	50	4-ø7	12.6	32	9.5	125	4-ø19	4-M16	125	4-ø19	4-M16	120.5	4-ø19	4-1/2
1.5"	120	75	33	90	50	4-ø7	12.6	32	9.5	110	4-ø19	4-M16	110	4-ø19	4-M16	98.5	4-ø16	4-5/8
size	A	B	C	øF	øD	4-øN	ød	H	M1	øK	n-øK1	n-M	øK	n-øK1	n-M	øK	n-øK1	n-M

Long neck butterfly valve one shaft without pins



						ISO PN10			ISO PN16			ANSI 150						
12"	337	255	78	150	125	4-ø14	31.6	45	24	400	12-ø24	12-M23	410	12-ø28	12-M24	432	12-ø25	12-7/8
10"	292	220	68	125	102	4-ø12	28.45	45	22	350	12-ø24	12-M23	355	12-ø28	12-M24	362	12-ø25	12-7/8
8"	260	175	60	125	102	4-ø12	22.1	45	15.9	295	8-ø24	8-M23	295	12-ø23	12-M20	298.5	8-ø22	8-3/4
6"	226	140	56	90	70	4-ø10	18.92	32	12.7	240	8-ø24	8-M23	240	8-ø23	8-M20	241.5	8-ø22	8-3/4
5"	213	127	56	90	70	4-ø10	18.92	32	12.7	210	8-ø19	8-M16	210	8-ø19	8-M16	216	8-ø22	8-3/4
4"	200	114	52	90	70	4-ø10	15.8	32	11.1	180	8-ø19	8-M16	180	8-ø19	8-M16	190.5	8-ø19	8-5/8
3"	181	95	46	90	50	4-ø7	12.6	32	9.5	160	8-ø19	8-M16	160	8-ø19	8-M16	152.5	4-ø19	4-5/8
2.5"	175	89	46	90	50	4-ø7	12.6	32	9.5	145	4-ø19	4-M16	145	4-ø19	4-M16	139.5	4-ø19	4-5/8
2"	161	80	43	90	50	4-ø7	12.6	32	9.5	125	4-ø19	4-M16	125	4-ø19	4-M16	120.5	4-ø19	4-1/2
1.5"	120	75	33	90	50	4-ø7	12.6	32	9.5	110	4-ø19	4-M16	110	4-ø19	4-M16	98.5	4-ø16	4-5/8
size	A	B	C	øF	øD	4-øN	ød	H	M1	øK	n-øK1	n-M	øK	n-øK1	n-M	øK	n-øK1	n-M