

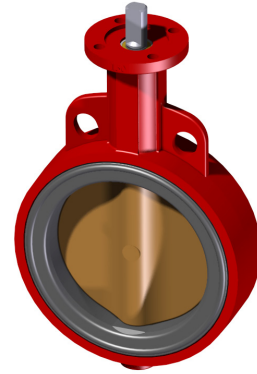


JSC Butterfly Valve

Wafer Type

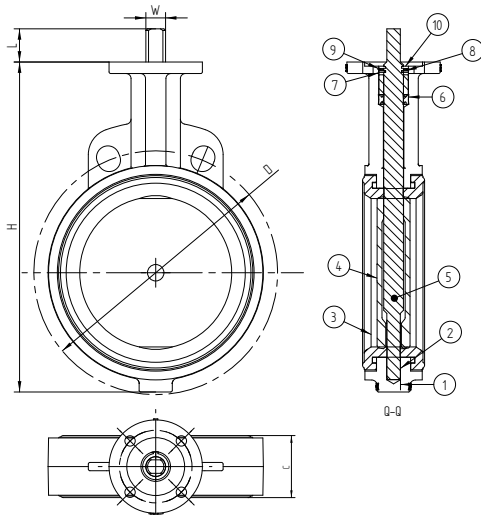
Description

Nominal Rating: PN10(DN200-DN600),PN16(DN50-DN150)
 Design Standard: EN 593
 Pressure Class Standard: EN 558-1
 Mounting: ISO 5211 F07
 Mating Flange: EN 1092-1/JIS-5K/10K/ANSI150
 Lever Operated



Item No.	DN	Connection	Pressure	D	L	H	Stem	C
QKC00002	50	WAFER PN16	PN16	125	32	204	DD14X10	43
QKC00003	65	WAFER PN16	PN16	145	32	223	SQ9	46
QKC00004	80	WAFER Multi	PN16	160	32	236	SQ9	46
QKC00005	100	WAFER PN16	PN16	180	32	270	DD14X11	52
QKC00005B	100	WAFER PN16	PN16	180	32	270	SQ14	52
QKC00006	125	WAFER PN16	PN16	210	32	295	SQ14	56
QKC00007	150	WAFER PN16	PN16	240	32	324	SQ14	56

All measurements in mm.



No.	Part	Material
1	LT Body	GGG40
2	Lower Bearing	PTFE
3	Seat	BUNA-N(NBR)
4	Disc	C954
5	Shaft	SS316
6	Upper Bearing	PTFE
7	O-Ring	NBR
8	Retainer Ring	Carbon Steel
9	Washer	SS304
10	Retainer Ring	Carbon Steel