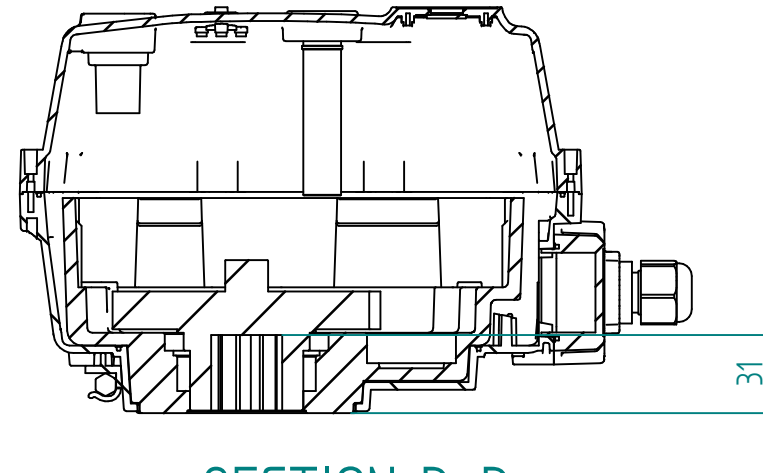
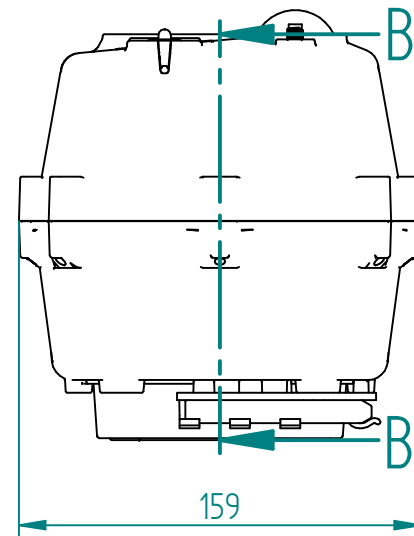
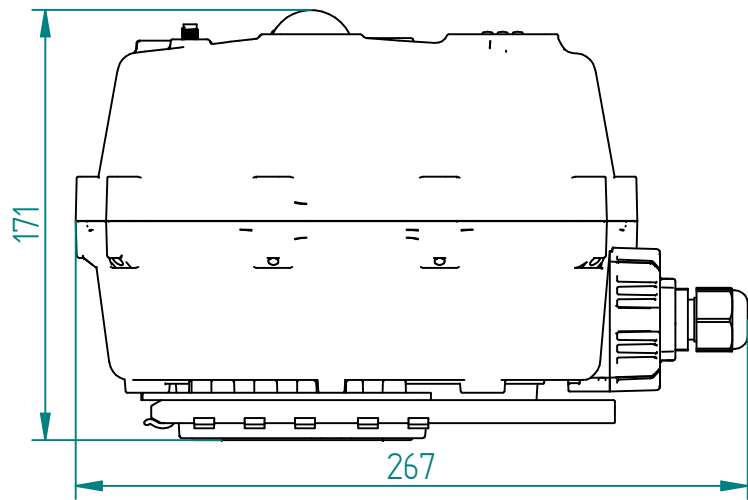
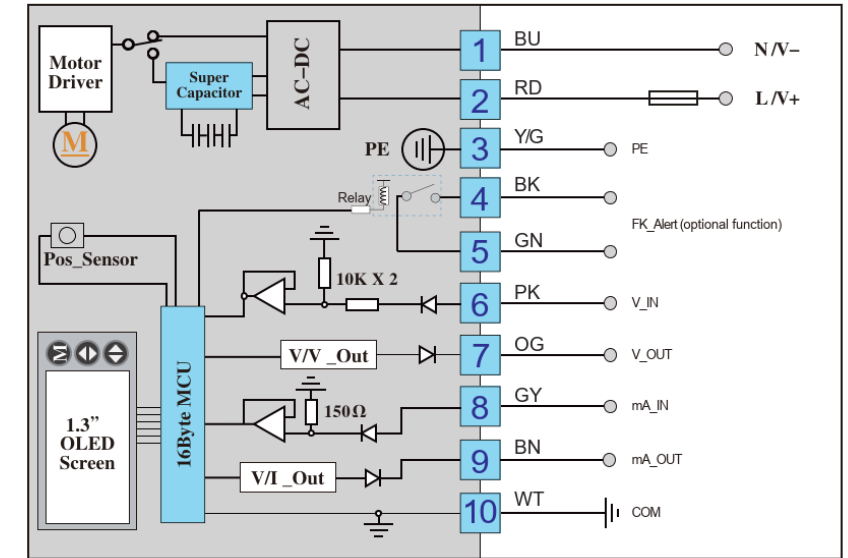


A

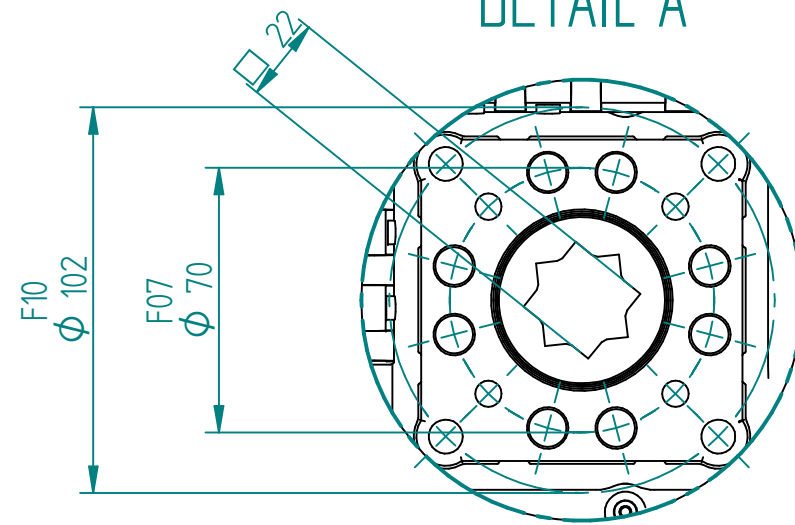
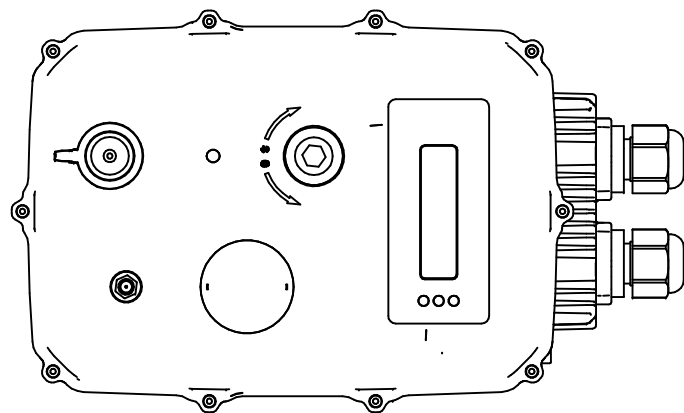
Wiring instruction

- Terminal 1 and 2 are used to connect to supply power. Please confirm the correct voltage, otherwise the device might be damaged.
- Terminal 3 is protective earth. Ensure the actuator is properly grounded.
- Terminal 4/5 will output an alarm. This is an optional feature – see schematic on device.
- Terminal 6/7/8/9/10 are inputs and outputs.
 - Terminal 6 is the 1-5V/2-10V/0-5V/0-10V input for voltage-controlled units. Refer to unit specs before connecting.
 - Terminal 7 is the 1-5V/2-10V/0-5V/0-10V feedback/output signal for voltage-controlled units. Output voltage range is set via the menu.
 - Terminal 8 is the 0-20mA/4-20mA input for current-controlled units. Refer to unit specs before connecting.
 - Terminal 9 is the 0-20mA/4-20mA feedback/output signal for current-controlled units. Output current range is set via the menu.
- Terminal 10 is signal ground for both voltage and current controlled units.
- For Rx, select a resistor with a low TCR (Temperature Coefficient of Resistance). $V_{out} = I_{out} \times R_x$ Where $V_{out} \leq 8V$, $R_x \leq 400\Omega$. Manufacturer recommends $V_{out} \leq 5V$, $R_x = 250\Omega$ (0.25W)
- Connector current rating is 0.1A for 24VDC and 50mA for 230VAC.

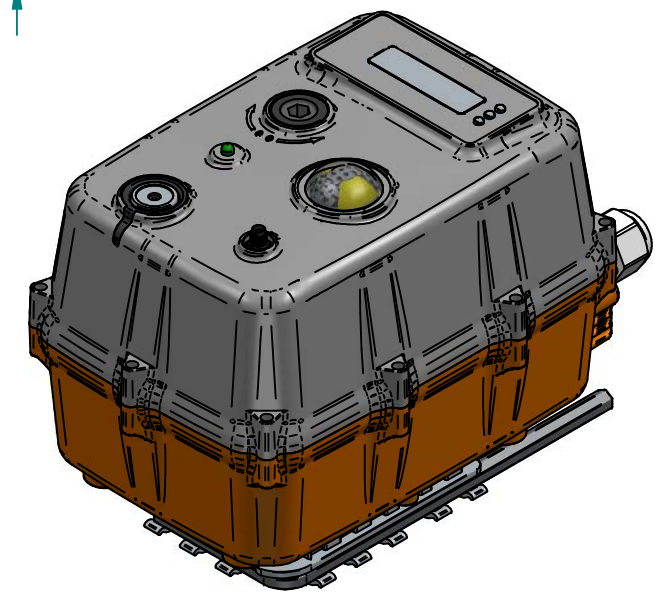
4-20mA/0-10V




SECTION B-B



Connector is used for factory testing; user can remove connector if required. Black and Green cable is for alarm function – not used on devices without option.



	NAME	DATE	SIZE	DWG NO	UNLESS OTHERWISE SPECIFIED DIMENSIONS ARE IN MILLIMETERS AND TOLERANCES ARE +/-0,5	01	Added instructions	20.11.2023	RAGA
	DRAWN	09.11.2023	A3	QIFTCR-M230-020-0200		00	Issued	09.11.22	HESG
	CHECKED	09.11.22	FILE NAME: QIFTCR-M230-020-0200.dft			REV	DESCRIPTION	DATE	APPROVED
	ENG APPR	TOCO	dd.mm.yyyy	SCALE: 1:3		REV: 01	REVISION HISTORY		
MGR APPR	TOCO	dd.mm.yyyy	WEIGHT:	SHEET: 1 OF 1					
TITLE MODULATING EL ACT. TCR-20T, ABS BODY IP67, HEATER, 4-20MA FEEDBACK, SQ22-F07/F10 230VAC, 200NM, MAN/AUTO BUTTOM									