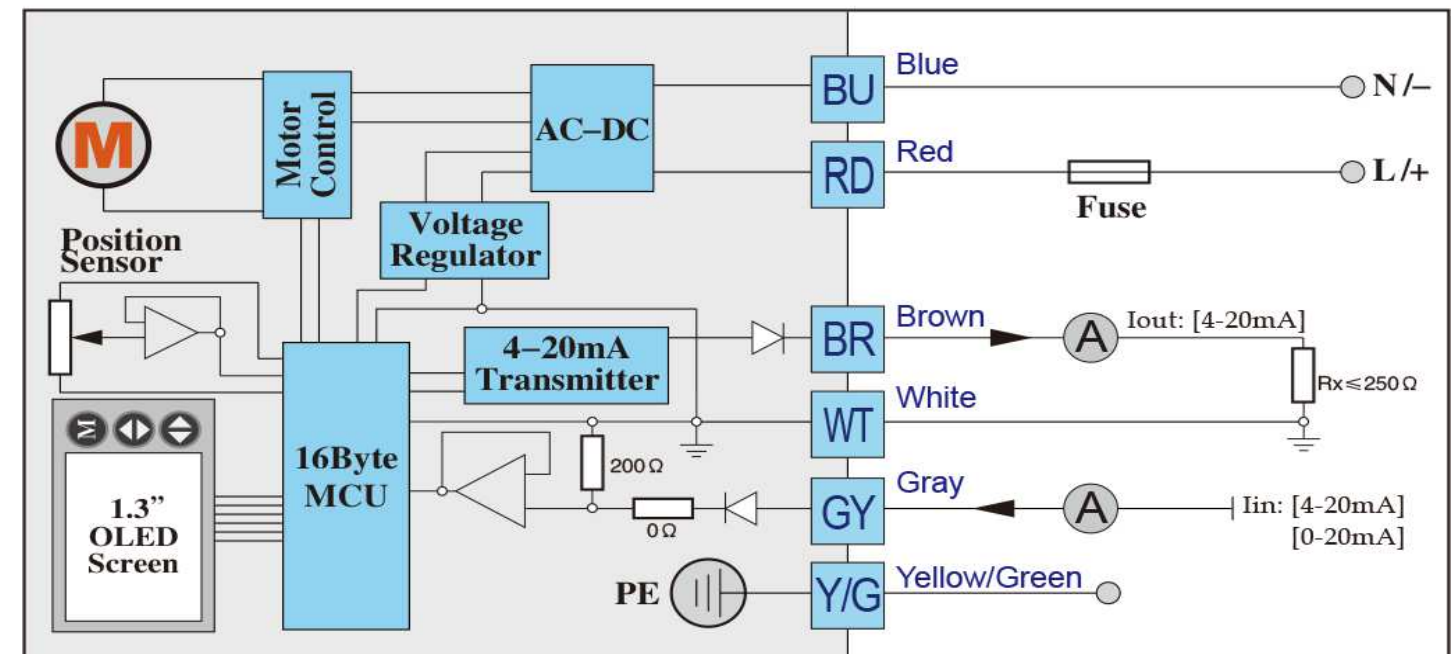


4-20mA/0-20mA



TITLE MODULATING EL ACT. TCR-02, ABS BODY
IP67, HEATER, 4-20MA FEEDBACK, ◇11-F03/F05
24V, 10S (10-50S ADJUSTABLE), 20NM, 5M. CABLE

	NAME	DATE	SIZE	DWG NO
DRAWN	MOTO	25.09.2019	A3	QIFTCR-M024-002-0020
CHECKED	ORLA	24.09.2019	FILE NAME: QIF-TCR02 -Intelligence type.dft	
ENG APPR	TOCO	dd.mm.yyyy	SCALE: 1:1	REV:
MGR APPR	TOCO	dd.mm.yyyy	WEIGHT:	SHEET: 1 OF 1

UNLESS OTHERWISE SPECIFIED
DIMENSIONS ARE IN MILLIMETERS
AND TOLERANCES ARE +/-0,5

REV	DESCRIPTION	DATE	APPROVED
REVISION HISTORY			