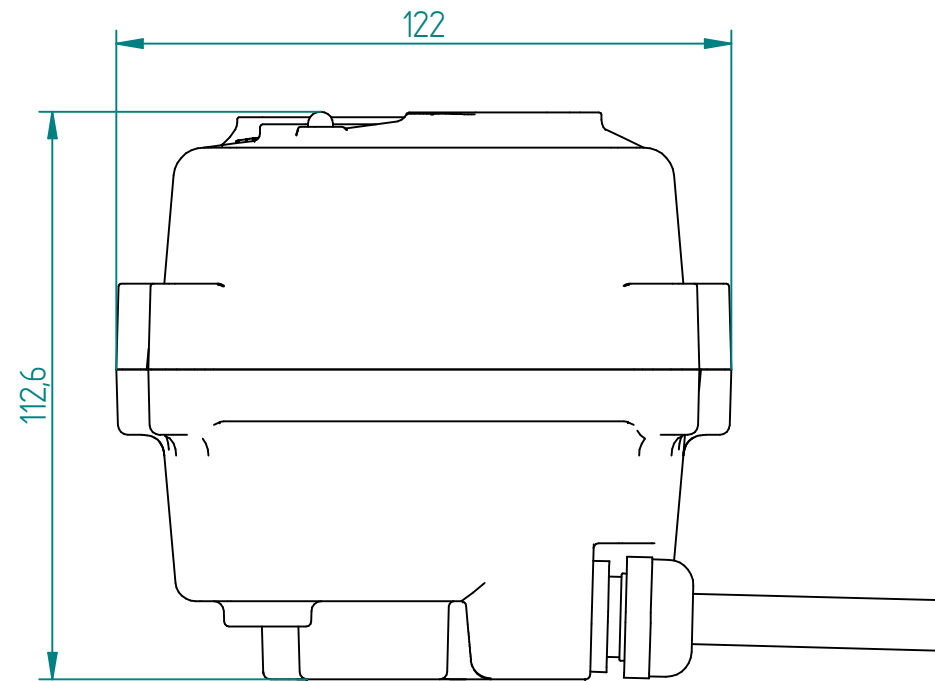
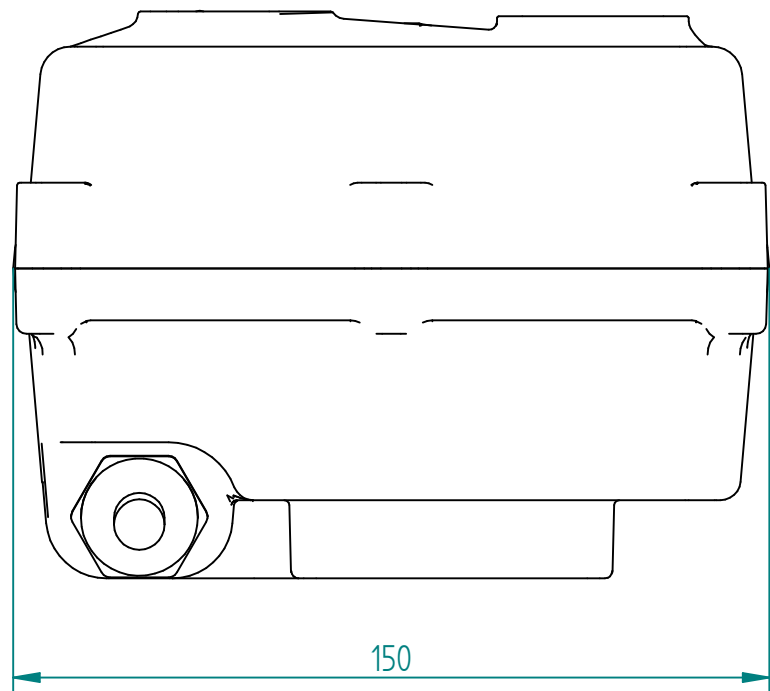
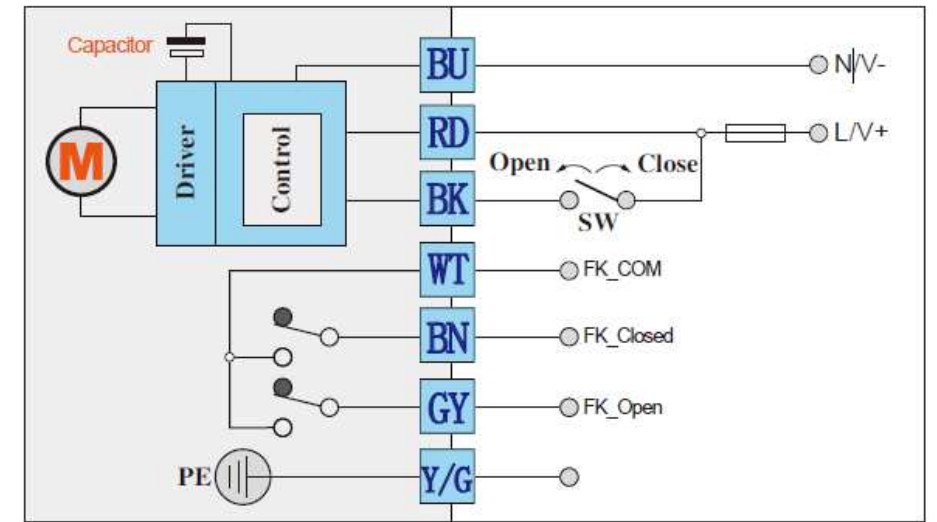


DETAIL A

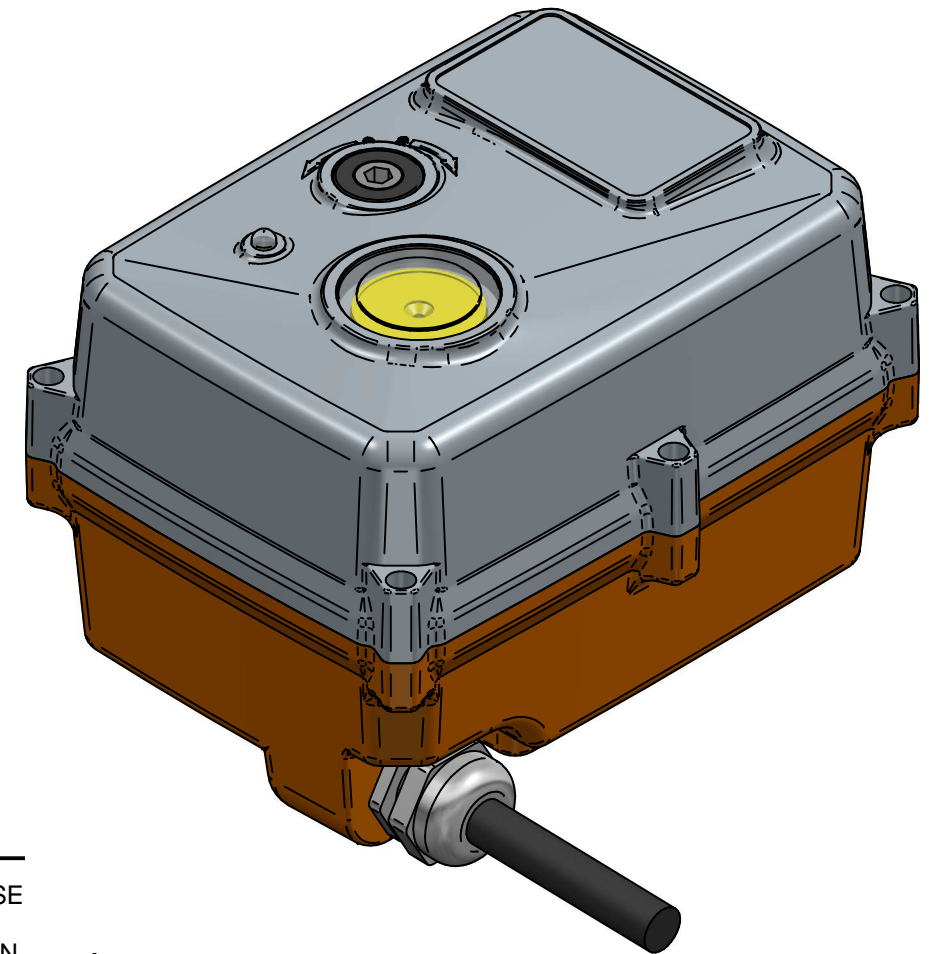


KT32S/BD3S-General Voltage



Control instructions:

- If SW is disconnected, the actuator will drive valve close clockwise. When the valve is closed completely, **WT** is connected with **BN**, giving signal of closing.
- If SW is connected, the actuator will drive valve open anticlockwise. When the valve is open completely, **WT** is connected with **GY**, giving signal of opening.
- ※ Notice 1: **WT** is not connected with **GY** **BN**, when the actuator is running.
- ※ Notice 2: The feedback signal is a little earlier than the actual position, so please do not cut power immediately, when you get the feedback signal.
- ※ Notice 3: When power cut, actuator will drive valve to close.



TITLE ON/OFF FAILSAFE EL. ACT. TCN-08N, ALU. BODY, KT32S IP67, HEATER, FEEDBACK SWITCHED FOR OPEN/CLOSE 230VAC, 10S, 60NM, 17-F05/F07		NAME	DATE	SIZE	DWG NO
	DRAWN	MOTO	13.02.2020	A3	QIFTCN-S230-F08-0060
	CHECKED	ORLA	13.02.2020	FILE NAME: QIF-TCN08 11 ON-OFF type.dft	
	ENG APPR	TOCO	dd.mm.yyyy	SCALE: 1:1	REV:
	MGR APPR	TOCO	dd.mm.yyyy	WEIGHT:	SHEET: 1 OF 1

UNLESS OTHERWISE SPECIFIED DIMENSIONS ARE IN MILLIMETERS AND TOLERANCES ARE +/-0,5

REV	DESCRIPTION	DATE	APPROVED
REVISION HISTORY			