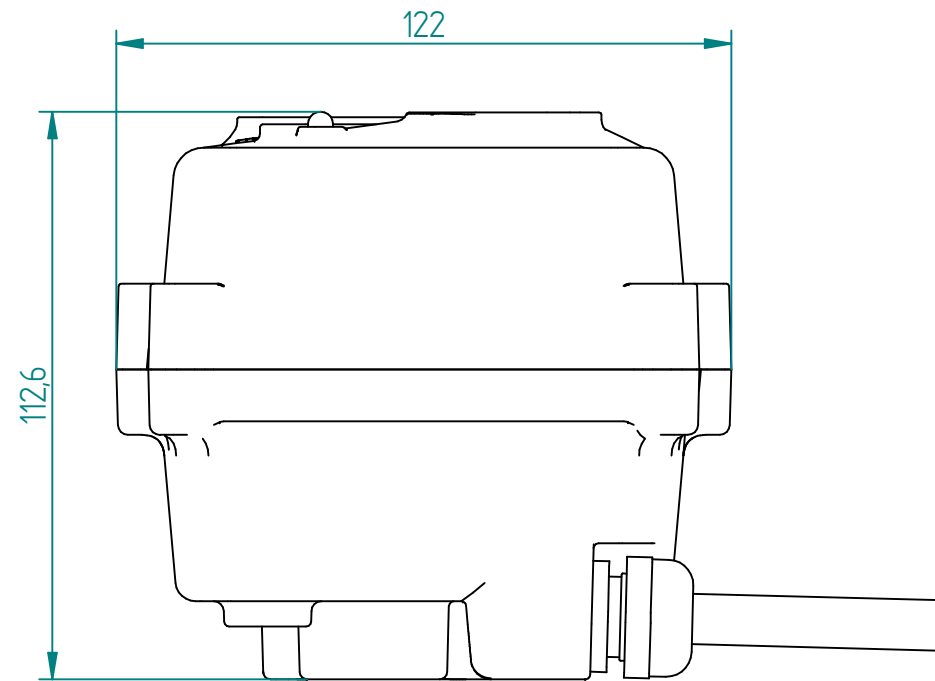
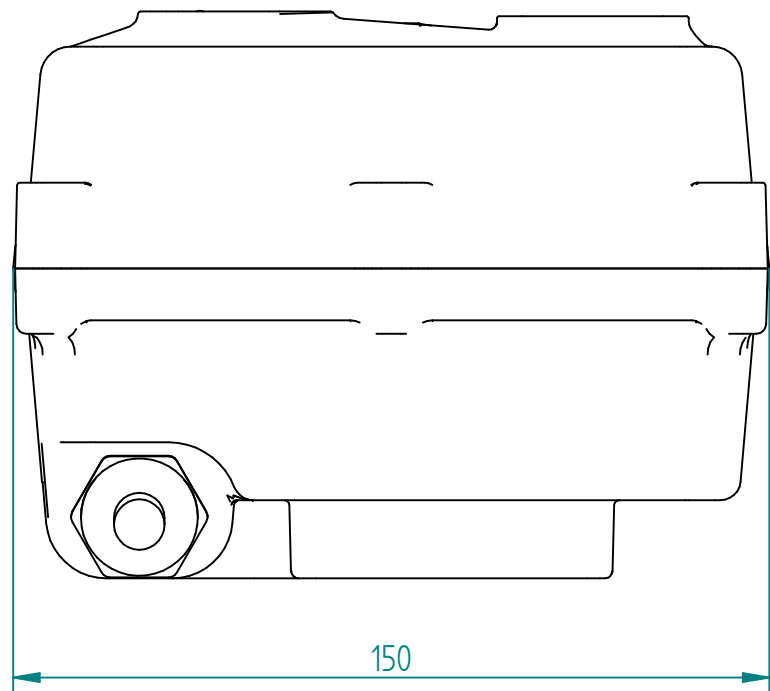
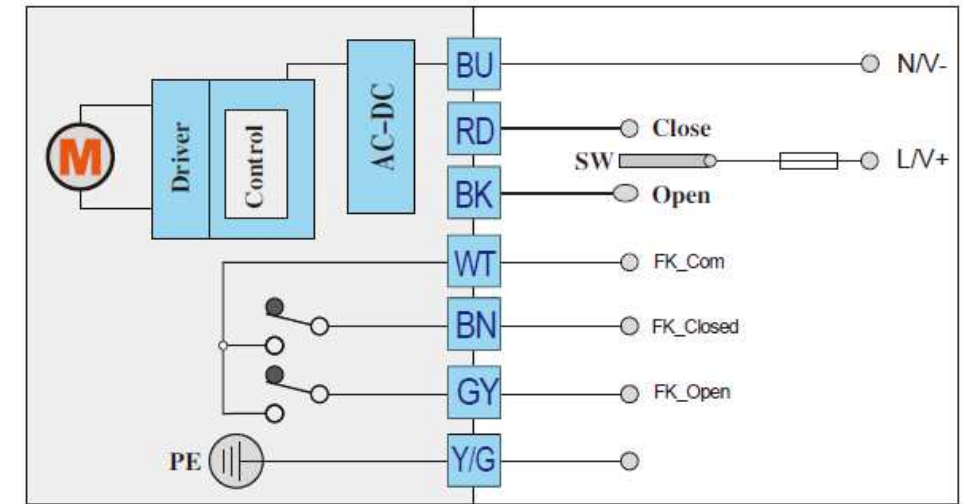


DETAIL A

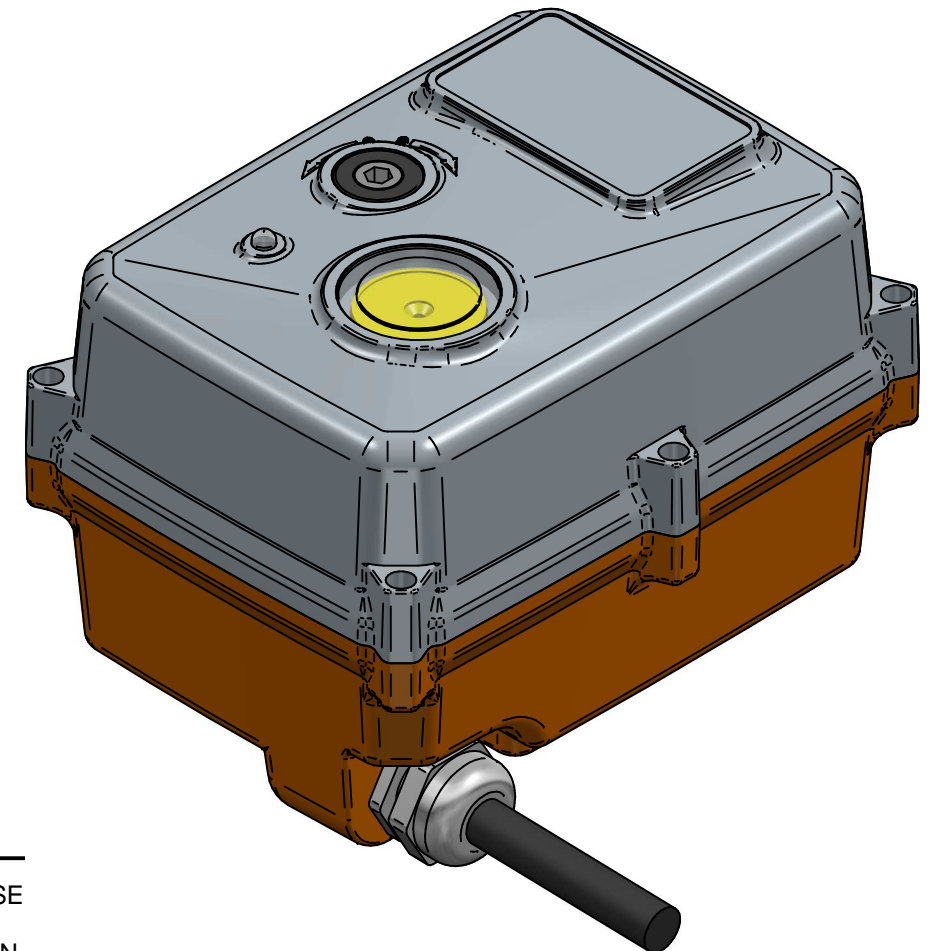


**B3S**



**Control instructions:**

- SW is connected with **RD**, the actuator will rotate clockwise ↻. When the valve is closed, **WT** is connect with **BN**, giving signal of closing.
- SW is connected with **BK**, the actuator will rotate anticlockwise ↻. When the valve is open, **WT** is connect with **GY**, giving signal of opening.
- ※ Notice 1: **WT** is not connected with **GY** and **BN**, when the actuator is rotating.
- ※ Notice 2: The feedback signal is a little earlier than the actual position, so please do not cut power immediately, when you get the feedback signal.



<b>TITLE</b> ON/OFF EL ACT. TCN-11N, ALUMINIUM BODY, B3S IP67, HEATER, FEEDBACK SWITCHED FOR OPEN/CLOSE 230VAC, 10S, 110NM, ⌀17-F05/F07		<b>NAME</b>	<b>DATE</b>	<b>SIZE</b>	<b>DWG NO</b>
	DRAWN	MOTO	13.02.2020	<b>A3</b>	QIFTCN-S230-011-0110
	CHECKED	ORLA	13.02.2020	FILE NAME: QIF-TCN08 11 ON-OFF type.dft	
	ENG APPR	TOCO	dd.mm.yyyy	SCALE: 1:1	REV: .....
	MGR APPR	TOCO	dd.mm.yyyy	WEIGHT:	SHEET: 1 OF 1

UNLESS OTHERWISE SPECIFIED DIMENSIONS ARE IN MILLIMETERS AND TOLERANCES ARE +/-0,5

REV	DESCRIPTION	DATE	APPROVED
REVISION HISTORY			