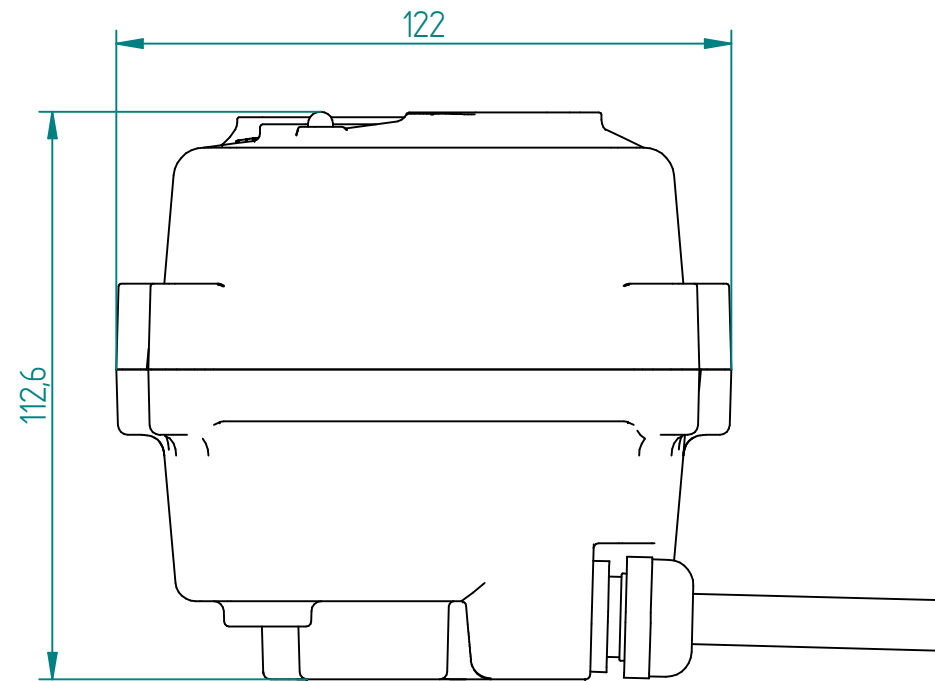
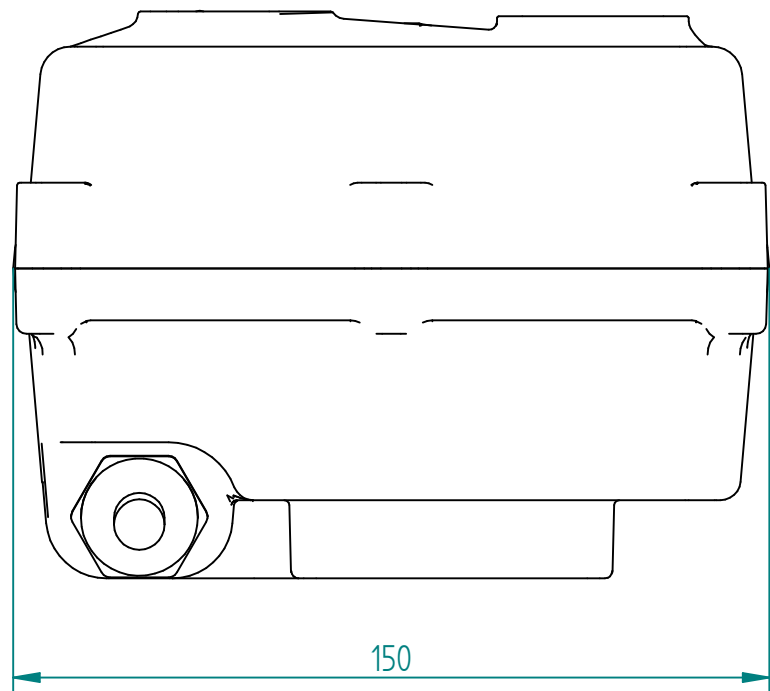
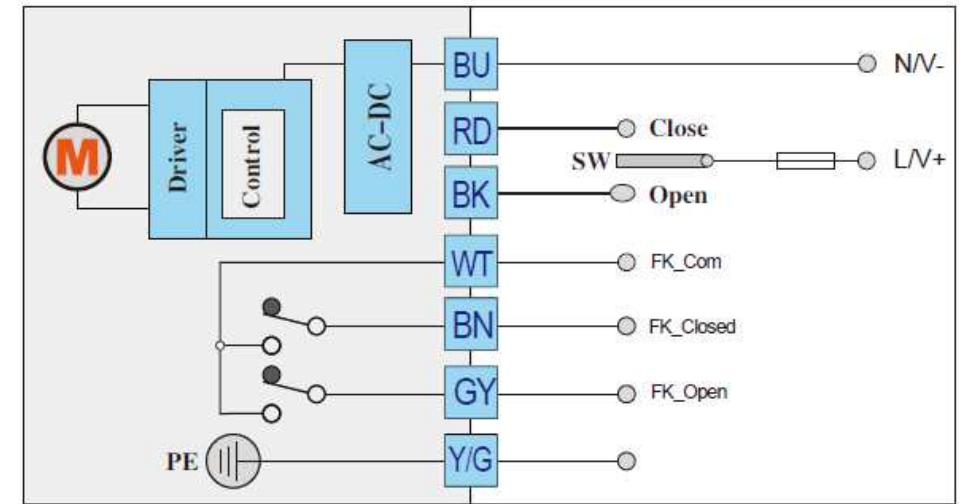


DETAIL A

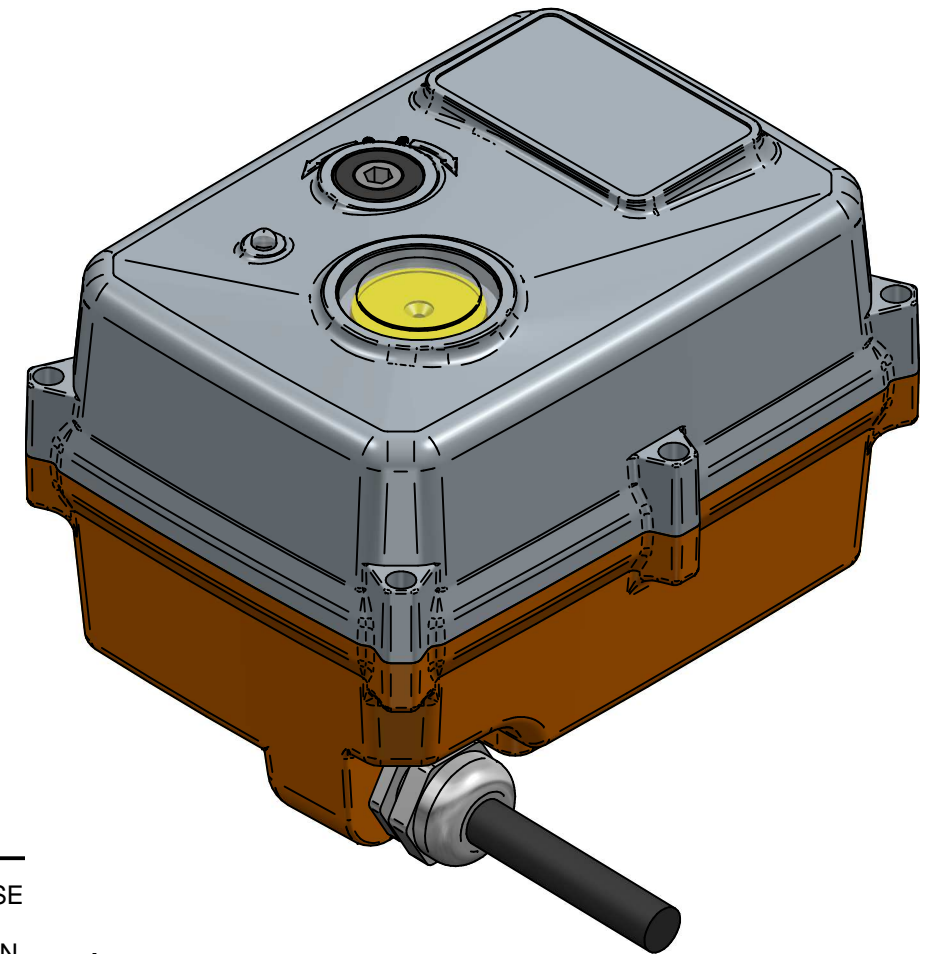


B3S



Control instructions:

- SW is connected with **RD**, the actuator will rotate clockwise ↻. When the valve is closed, **WT** is connect with **BN**, giving signal of closing.
- SW is connected with **BK**, the actuator will rotate anticlockwise ↻. When the valve is open, **WT** is connect with **GY**, giving signal of opening.
- ※ Notice 1: **WT** is not connected with **GY** and **BN**, when the actuator is rotating.
- ※ Notice 2: The feedback signal is a little earlier than the actual position, so please do not cut power immediately, when you get the feedback signal.



TITLE
ON/OFF EL ACT. TCN-08N, ALUMINIUM BODY, B3S
IP67, HEATER, FEEDBACK SWITCHED FOR OPEN/CLOSE
230VAC, 10S, 80NM, ⌀17-F05/F07

	NAME	DATE	SIZE	DWG NO
DRAWN	MOTO	13.02.2020	A3	QIFTCN-S230-008-0080
CHECKED	ORLA	13.02.2020	FILE NAME: QIF-TCN08 11 ON-OFF type.dft	
ENG APPR	TOCO	dd.mm.yyyy	SCALE: 1:1	REV:
MGR APPR	TOCO	dd.mm.yyyy	WEIGHT:	SHEET: 1 OF 1

UNLESS OTHERWISE SPECIFIED DIMENSIONS ARE IN MILLIMETERS AND TOLERANCES ARE +/-0,5

REV	DESCRIPTION	DATE	APPROVED
REVISION HISTORY			