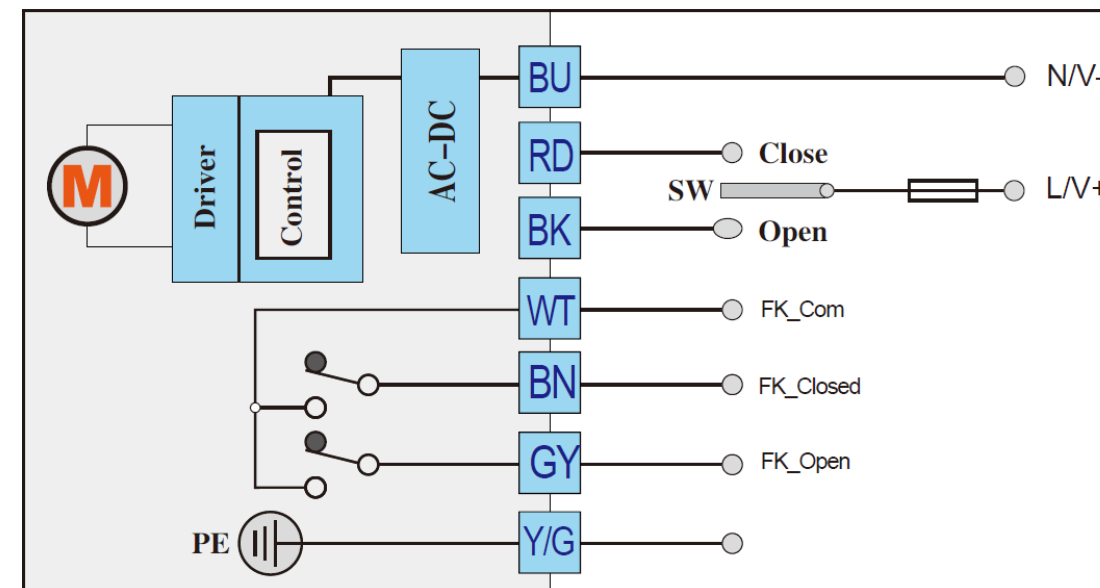


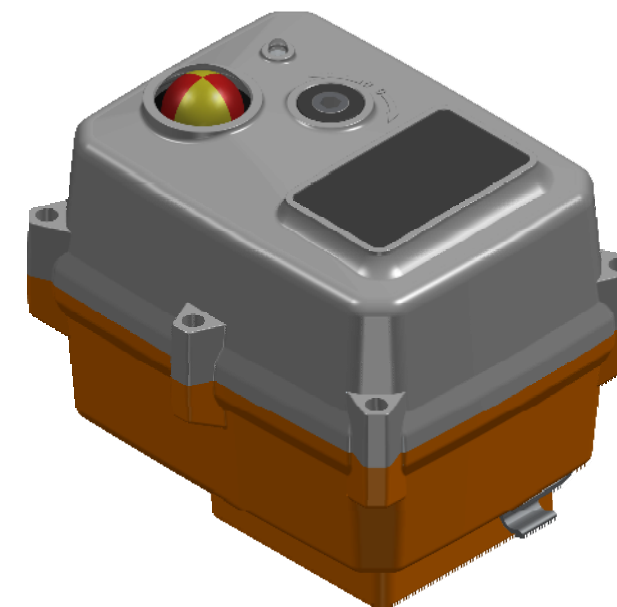
DETAIL A

B3S



Control instructions:

- SW is connected with **RD**, the actuator will rotate clockwise ↻. When the valve is closed, **WT** is connect with **BN**, giving signal of closing.
- SW is connected with **BK**, the actuator will rotate anticlockwise ↻. When the valve is open, **WT** is connect with **GY**, giving signal of opening.
- ✘ Notice 1: **WT** is not connected with **GY** and **BN**, when the actuator is rotating.
- ✘ Notice 2: The feedback signal is a little earlier than the actual position, so please do not cut power immediately, when you get the feedback signal.



TITLE ON/OFF EL ACT. TCN-05N, ALUMINIUM BODY, B3S
IP67, HEATER, FEEDBACK SWITCHED FOR OPEN/CLOSE
230VAC, 12S, 50Nm, ø14-F05/F07 1.0 METER CABLE

	NAME	DATE	SIZE	DWG NO
DRAWN	RAGA	19.08.2024	A3	QIFTCN-S230-005-0050
CHECKED	TOCO	dd.mm.yyyy	FILE NAME: QIFTCN-S230-005-0050.dft	
ENG APPR	TOCO	dd.mm.yyyy	SCALE: 1:2	REV: 01
MGR APPR	TOCO	dd.mm.yyyy	WEIGHT: 2 kg	SHEET: 1 OF 1

UNLESS OTHERWISE SPECIFIED
DIMENSIONS ARE IN MILLIMETERS
AND TOLERANCES ARE +/-0,5

REV	DESCRIPTION	DATE	APPROVED
01	Changed Schematic	19.08.2024	RAGA
REVISION HISTORY			