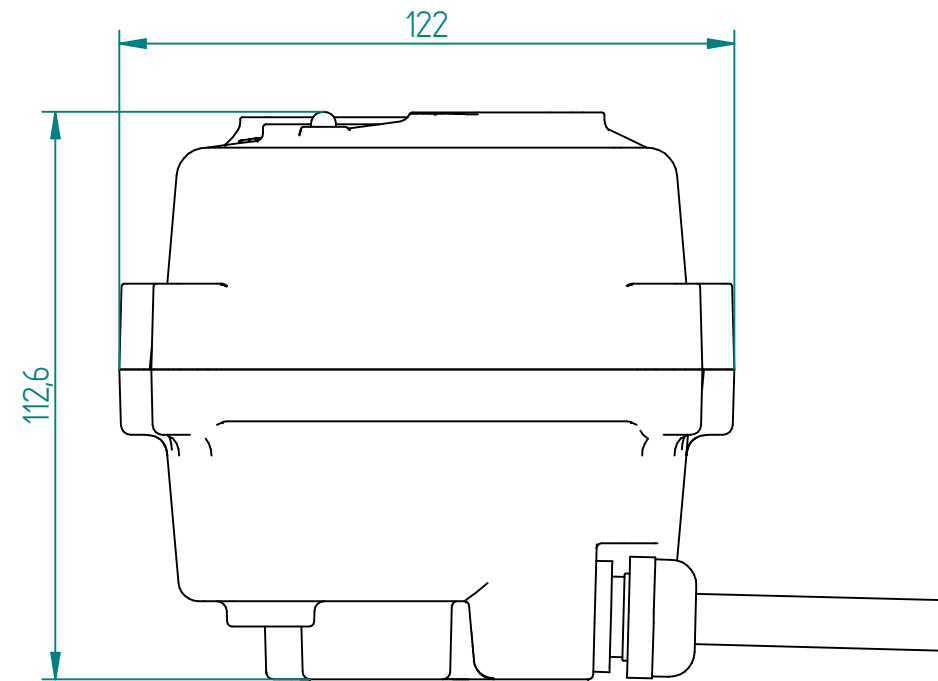
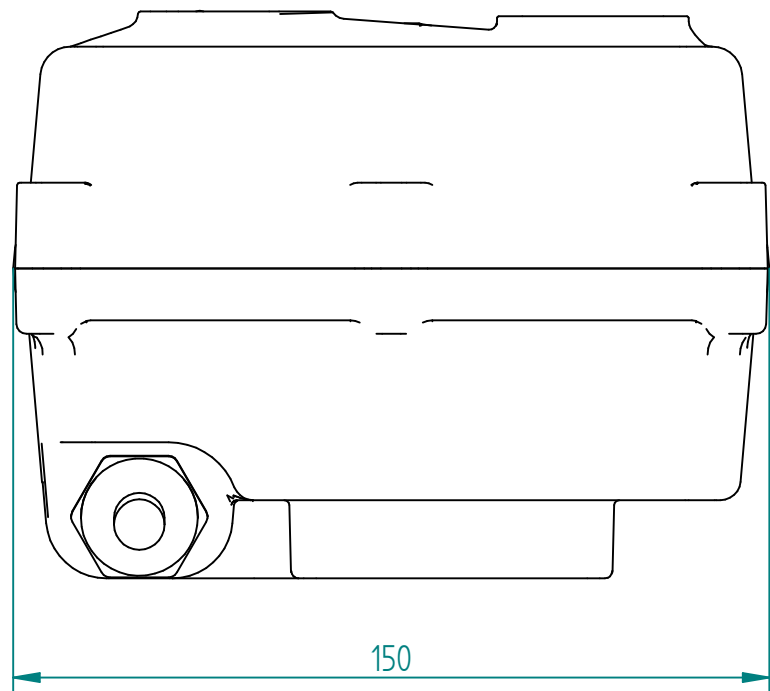
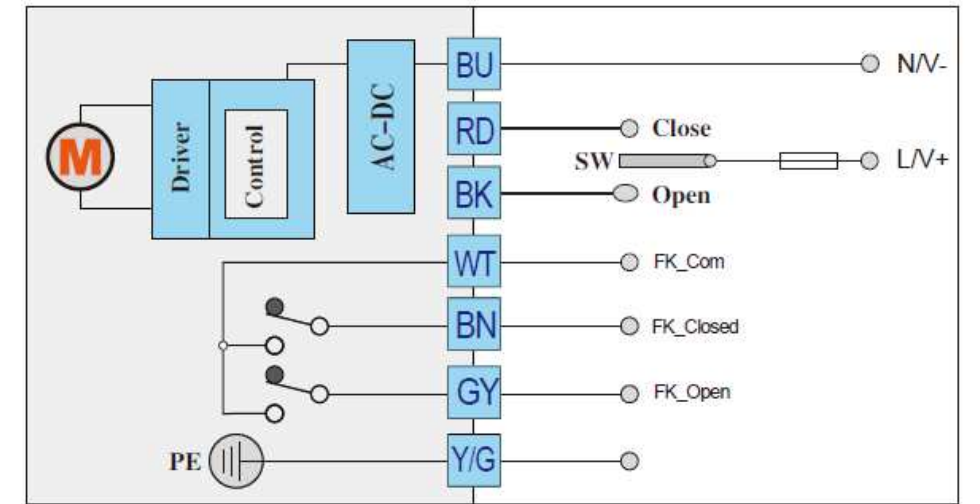


DETAIL A

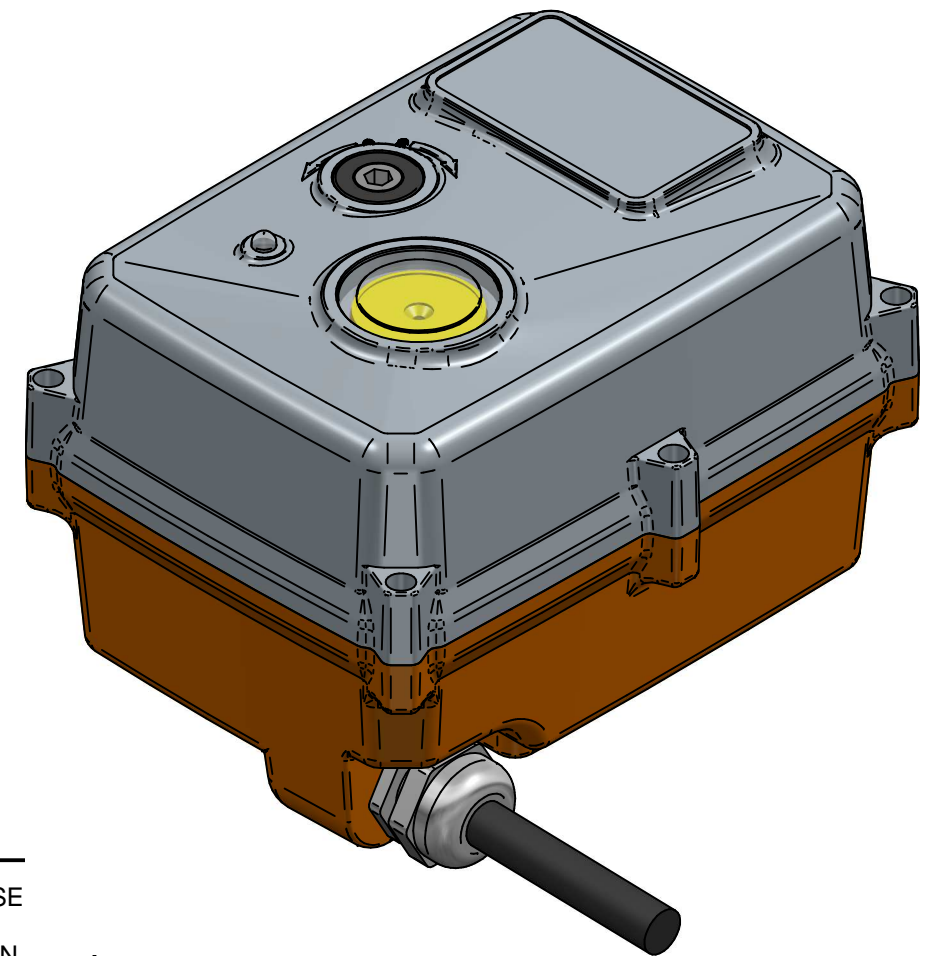


B3S



Control instructions:

- SW is connected with **RD**, the actuator will rotate clockwise ↻. When the valve is closed, **WT** is connect with **BN**, giving signal of closing.
- SW is connected with **BK**, the actuator will rotate anticlockwise ↻. When the valve is open, **WT** is connect with **GY**, giving signal of opening.
- ※ Notice 1: **WT** is not connected with **GY** and **BN**, when the actuator is rotating.
- ※ Notice 2: The feedback signal is a little earlier than the actual position, so please do not cut power immediately, when you get the feedback signal.



TITLE  
ON/OFF EL ACT. TCN-11N, ALUMINIUM BODY, B3S  
IP67, HEATER, FEEDBACK SWITCHED FOR OPEN/CLOSE  
24V, 10S, 110NM ◊17-F05/F07

|          | NAME | DATE       | SIZE                                    | DWG NO               |
|----------|------|------------|---|----------------------|
| DRAWN    | MOTO | 13.02.2020 | <b>A3</b>                               | QIFTCN-S024-011-0110 |
| CHECKED  | ORLA | 13.02.2020 | FILE NAME: QIF-TCN08 11 ON-OFF type.dft |                      |
| ENG APPR | TOCO | dd.mm.yyyy | SCALE: 1:1                              | REV: .....           |
| MGR APPR | TOCO | dd.mm.yyyy | WEIGHT:                                 | SHEET: 1 OF 1        |

UNLESS OTHERWISE SPECIFIED DIMENSIONS ARE IN MILLIMETERS AND TOLERANCES ARE +/-0,5

| REV              | DESCRIPTION | DATE | APPROVED |
|------------------|-------------|------|----------|
| REVISION HISTORY |             |      |          |