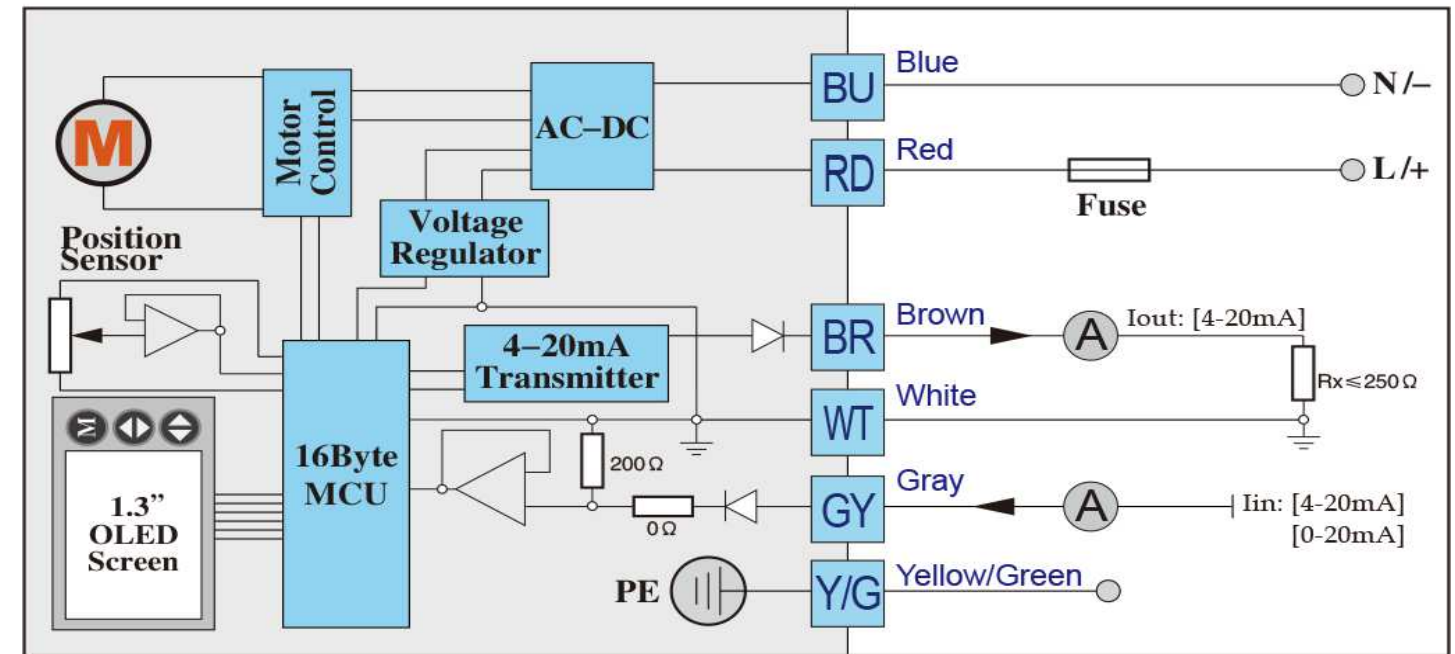


### 4-20mA/0-20mA



TITLE MODULATING EL. ACT. TCN-11T, ALU.BODY  
IP67, HEATER, 4-20MA FEEDBACK, ◇17-F05/F07  
230VAC, 10S (10-50S ADJUSTABLE), 110NM

	NAME	DATE	SIZE	DWG NO
DRAWN	MOTO	25.09.2019	<b>A3</b>	QIFTCN-M230-011-0110
CHECKED	ORLA	25.09.2019	FILE NAME: QIF-TCN08 11 Intelligence type.dft	
ENG APPR	TOCO	dd.mm.yyyy	SCALE: 1:1	REV: .....
MGR APPR	TOCO	dd.mm.yyyy	WEIGHT:	SHEET: 1 OF 1

UNLESS OTHERWISE SPECIFIED  
DIMENSIONS ARE IN MILLIMETERS  
AND TOLERANCES ARE +/-0,5

REV	DESCRIPTION	DATE	APPROVED
REVISION HISTORY			