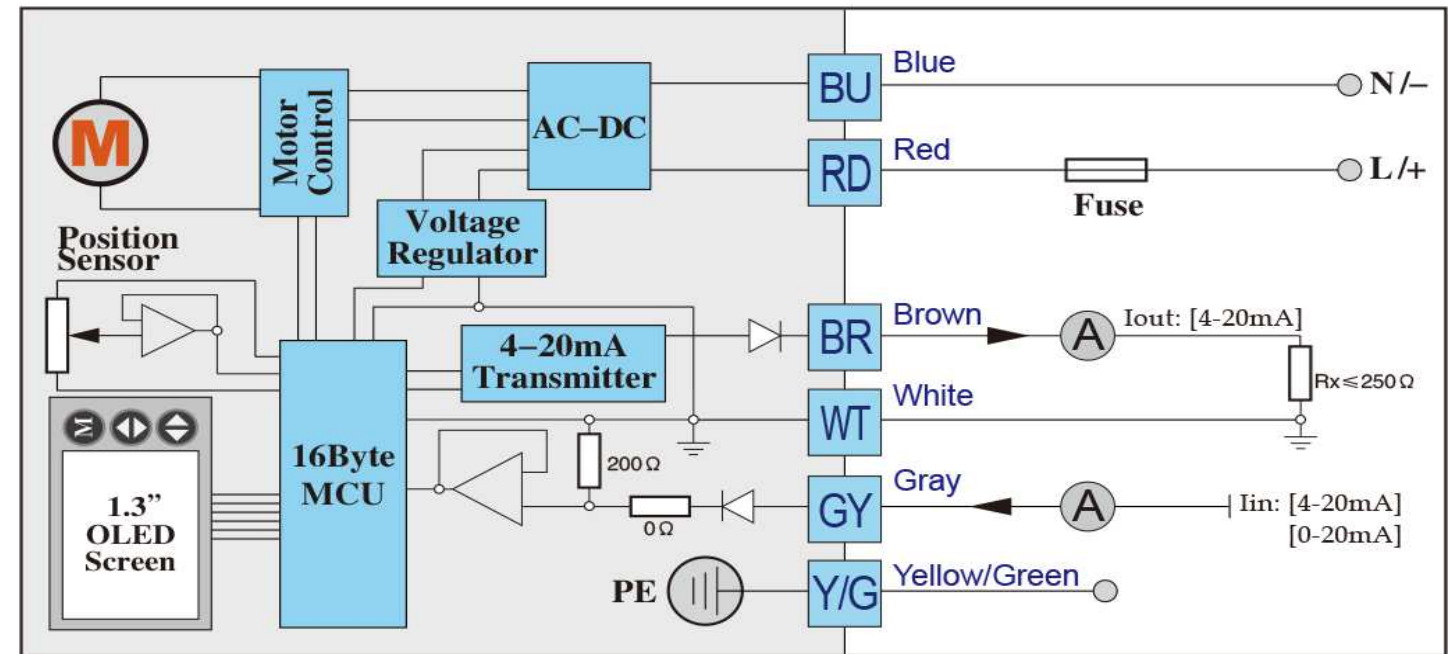


4-20mA/0-20mA



TITLE MODULATING EL. ACT. TCN-08TH HIGH SPEED
 ALU. BODY, IP67, HEATER, 4-20MA FEEDBACK
 ◇17-F05/F07, 230VAC, 5S (2-5S ADJUSTABLE), 80NM

	NAME	DATE	SIZE	DWG NO
DRAWN	MOTO	25.09.2019	A3	QIFTCN-M230-008-0080
CHECKED	ORLA	25.09.2019	FILE NAME: QIF-TCN08 11 Intelligence type.dft	
ENG APPR	TOCO	dd.mm.yyyy	SCALE: 1:1	REV:
MGR APPR	TOCO	dd.mm.yyyy	WEIGHT:	SHEET: 1 OF 1

UNLESS OTHERWISE SPECIFIED
 DIMENSIONS ARE IN MILLIMETERS
 AND TOLERANCES ARE +/-0,5

REV	DESCRIPTION	DATE	APPROVED
REVISION HISTORY			