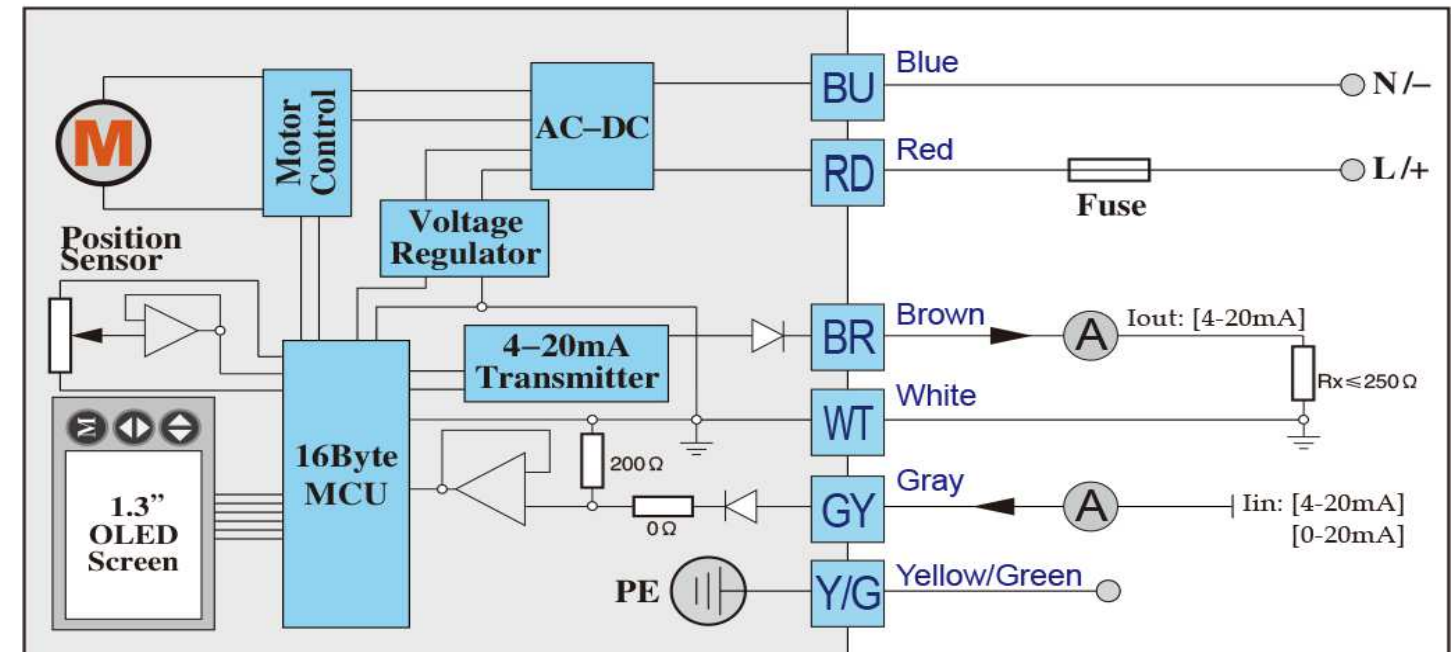


4-20mA/0-20mA



TITLE MOD. EL ACT. TCN-08TH HIGH SPEED, ALU. BODY IP67, HEATER, 4-20MA FEEDBACK, ◇17-F05/F07 24V, 5S (2-5S ADJUSTABLE), 80NM

	NAME	DATE	SIZE	DWG NO
DRAWN	MOTO	25.09.2019	A3	QIFTCN-M024-008-0080
CHECKED	ORLA	25.09.2019	FILE NAME: QIF-TCN08 11 Intelligence type.dft	
ENG APPR	TOCO	dd.mm.yyyy	SCALE: 1:1,5	REV:
MGR APPR	TOCO	dd.mm.yyyy	WEIGHT:	SHEET: 1 OF 1

UNLESS OTHERWISE SPECIFIED DIMENSIONS ARE IN MILLIMETERS AND TOLERANCES ARE +/-0,5

REV	DESCRIPTION	DATE	APPROVED
REVISION HISTORY			