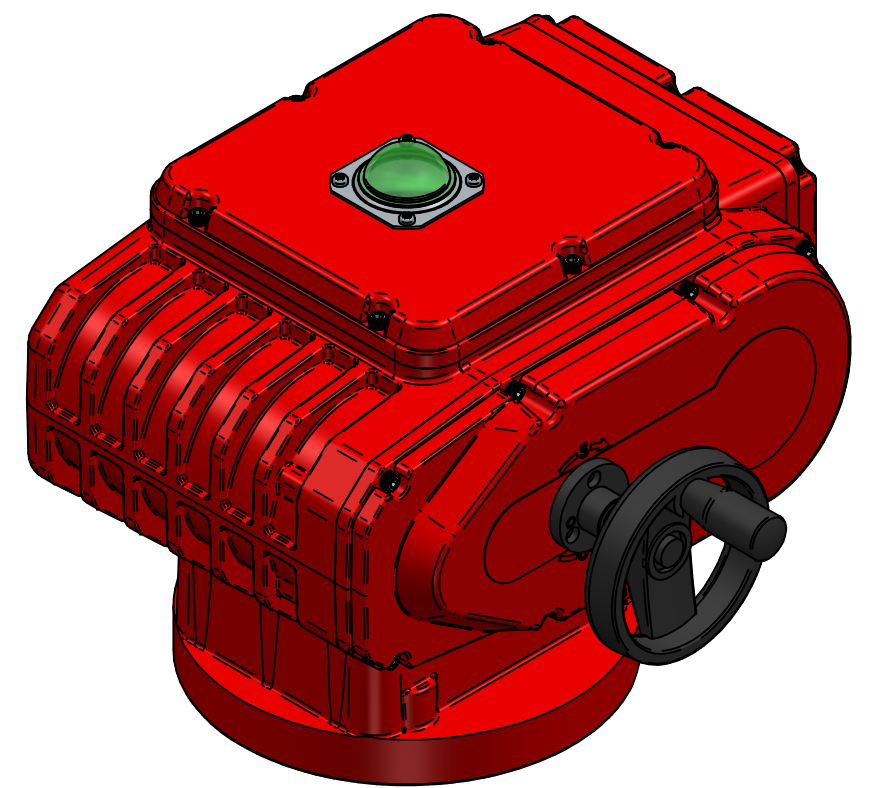
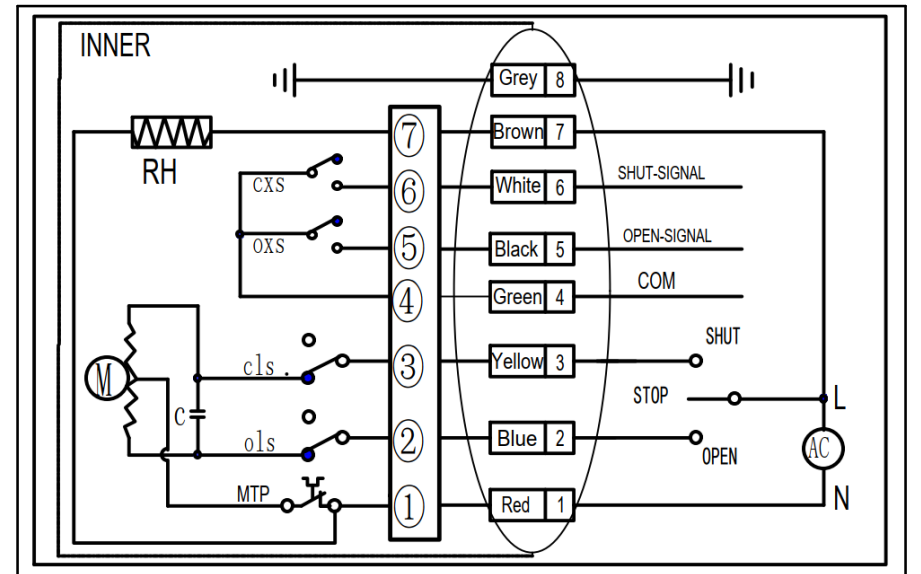
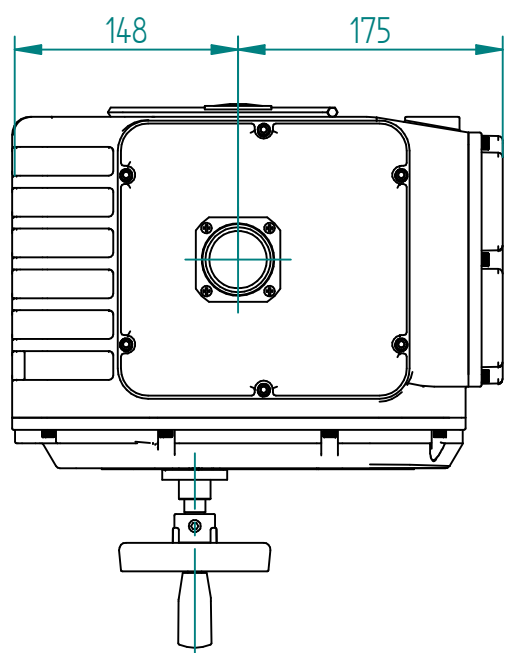


DETAIL A



TITLE ON/OFF EL. ACT. 300, ALUMINUM BODY, IP67 230VAC 60S 3000NM 1.9A 36x61-F12/16 (F14/QIFHL-300F14) HEATER, SPDT, LIMIT SWITCH, HANDWHEEL		NAME	DATE	SIZE	DWG NO	UNLESS OTHERWISE SPECIFIED DIMENSIONS ARE IN MILLIMETERS AND TOLERANCES ARE +/-0,5
	DRAWN	EMLA	10/20/2023	A3	QIFHL-S230-300-3000	
	CHECKED	TOCO	dd.mm.yyyy	FILE NAME: QIFHL-S230-300-3000.dft		
	ENG APPR	TOCO	dd.mm.yyyy	SCALE: 1:5	REV: 01	
	MGR APPR	TOCO	dd.mm.yyyy	WEIGHT:	SHEET: 1 OF 1	

REV	DESCRIPTION	DATE	APPROVED
01	Changed description	26.01.2024	RAGA
REVISION HISTORY			