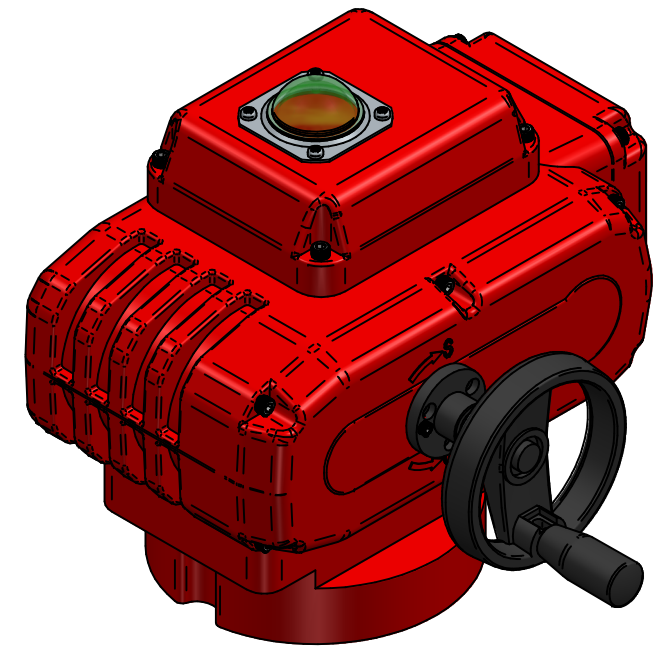
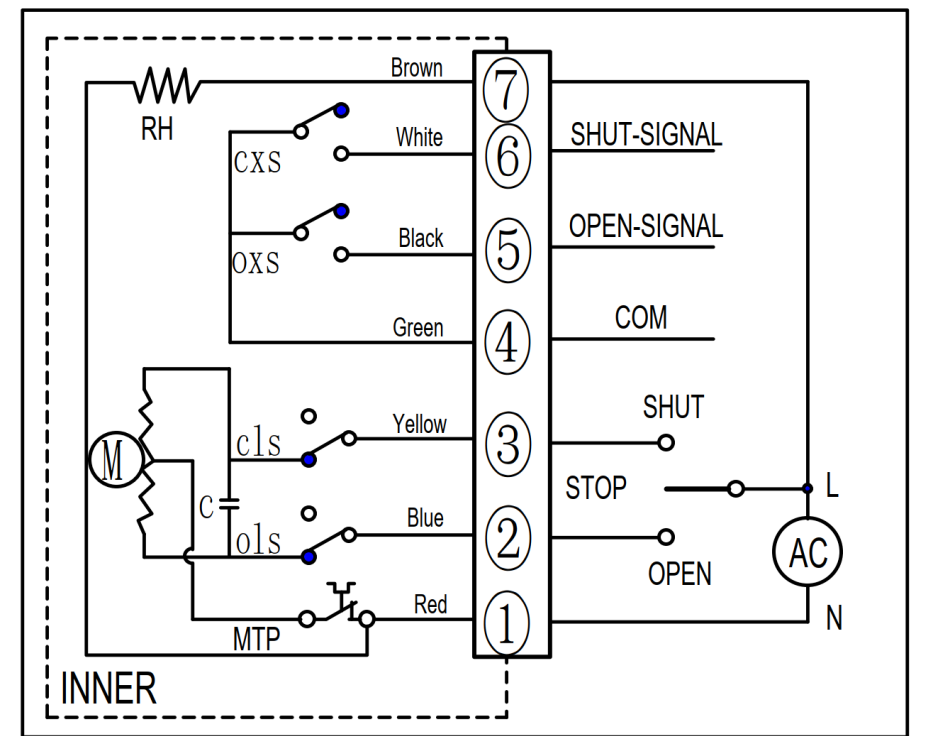


DETAIL A



TITLE ON/OFF EL. ACT. 100, ALUMINUM BODY, IP67, 230VAC, 30S, 800NM, 1,0A, 27x44-10/12, HEATER, SPDT, LIMIT SWITCH, HANDWHEEL

	NAME	DATE	SIZE	DWG NO
DRAWN	EMLA	23.09.2023	A3	QIFHL-S230-100-0800
CHECKED	RESO	13.10.2023	FILE NAME: QIFHL-S230-100-0800.dft	
ENG APPR	TOCO	dd.mm.yyyy	SCALE: 1:5	REV: 00
MGR APPR	TOCO	dd.mm.yyyy	WEIGHT:	SHEET: 1 OF 1

UNLESS OTHERWISE SPECIFIED DIMENSIONS ARE IN MILLIMETERS AND TOLERANCES ARE +/-0,5

REV	DESCRIPTION	DATE	APPROVED
00	ISSUED	13.10.2023	RESO
REVISION HISTORY			