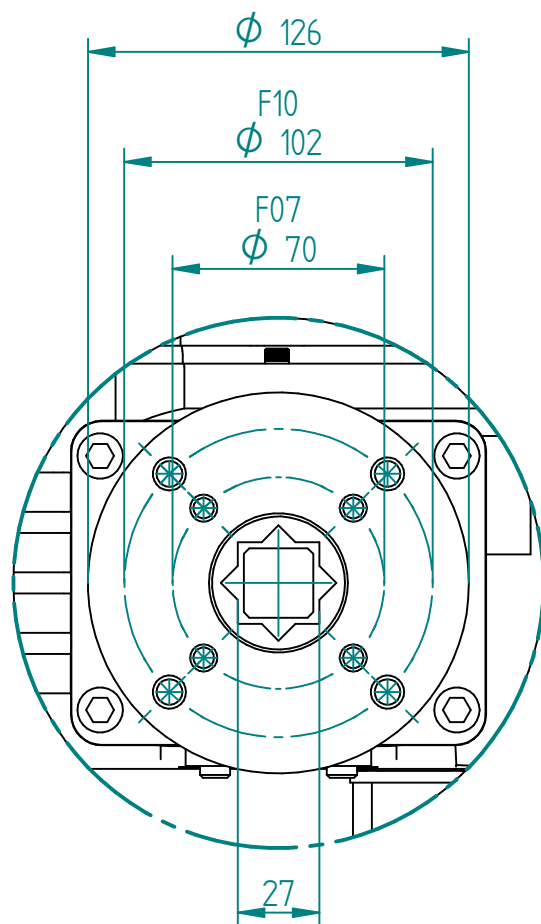
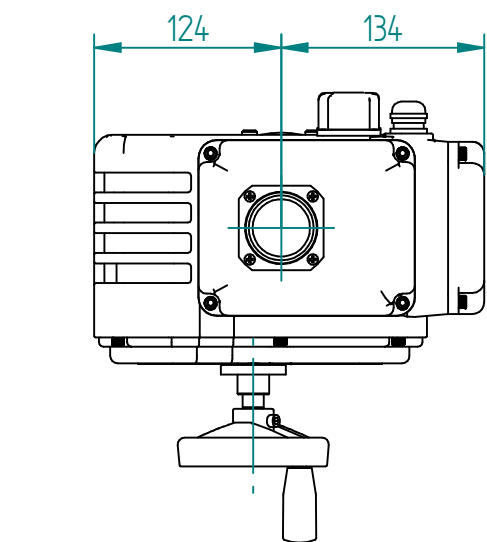
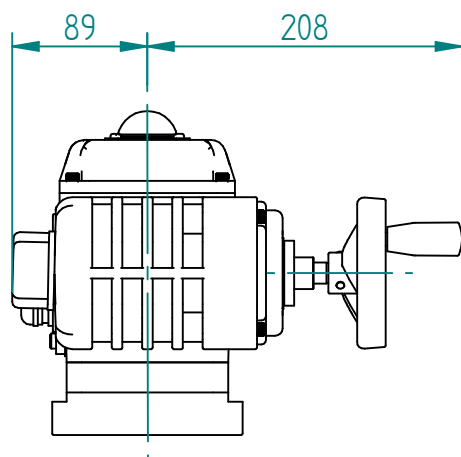
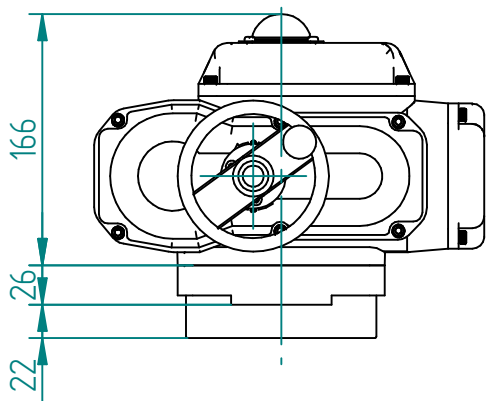
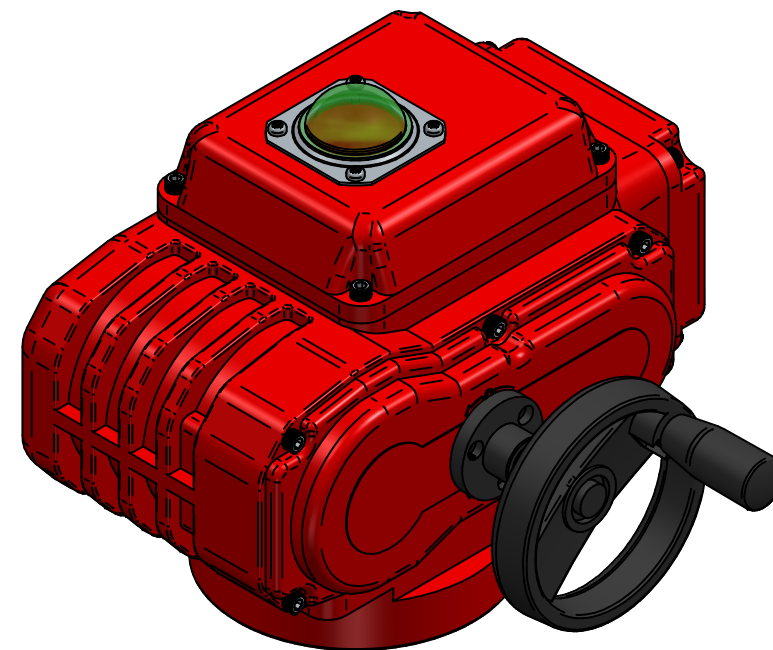
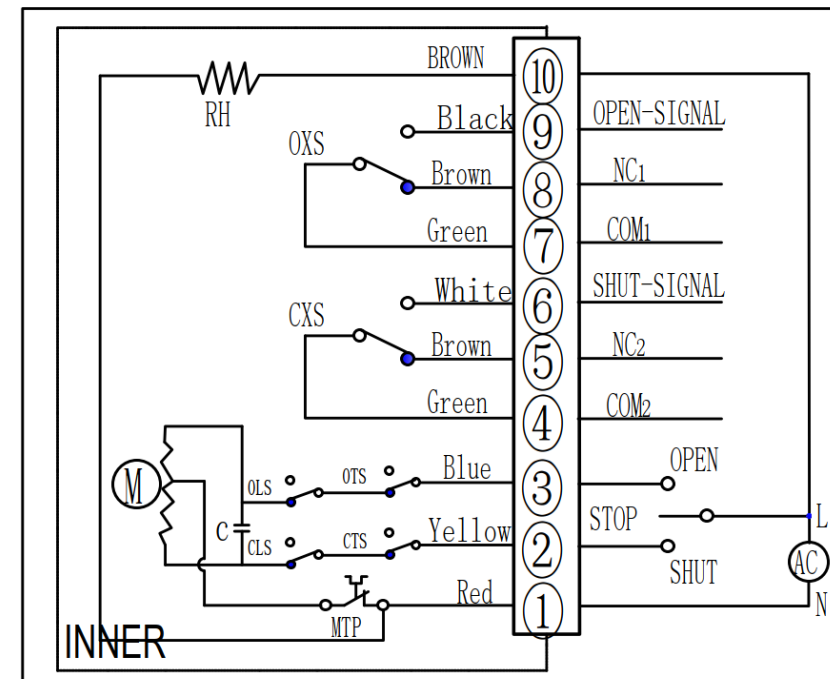


A



DETAIL A



TITLE ON/OFF EL ACT. 50, ALUMINUM BODY, IP67, 230VAC, 60S, 500NM, 0,92A, 27x44-F07/10, HEATER, SPDT, LIMIT SWTCH, TORQUE SWTCH, HANDWHEEL		NAME	DATE	SIZE	DWG NO	UNLESS OTHERWISE SPECIFIED DIMENSIONS ARE IN MILLIMETERS AND TOLERANCES ARE +/-0,5
	DRAWN	EMLA	20.10.2023	A3	QIFHL-S230-050-0500	
	CHECKED	TOCO	dd.mm.yyyy	FILE NAME: QIFHL-S230-050-0500.dft		
	ENG APPR	TOCO	dd.mm.yyyy	SCALE: 1:5	REV: 00	
	MGR APPR	TOCO	dd.mm.yyyy	WEIGHT:	SHEET: 1 OF 1	

00	ISSUED	11.12.23	RESO
REV	DESCRIPTION	DATE	APPROVED
REVISION HISTORY			