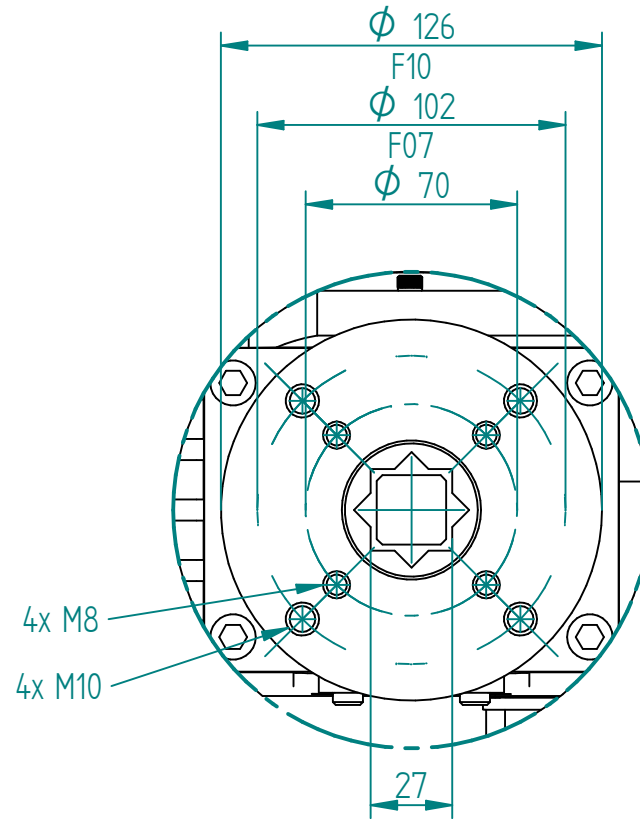
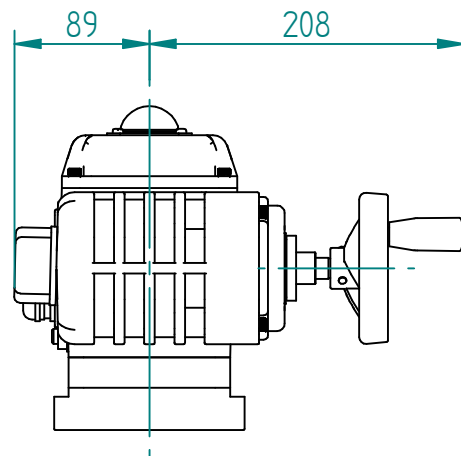
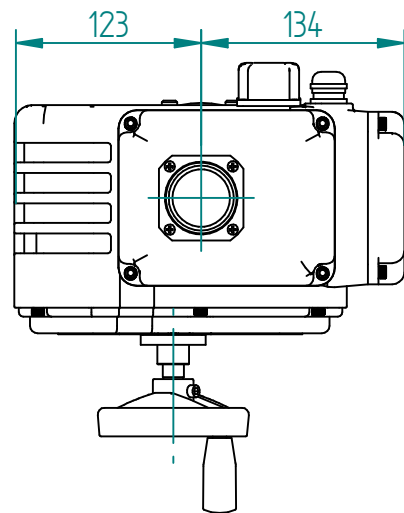
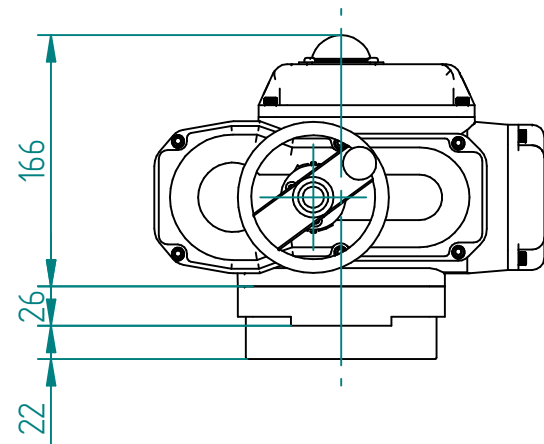
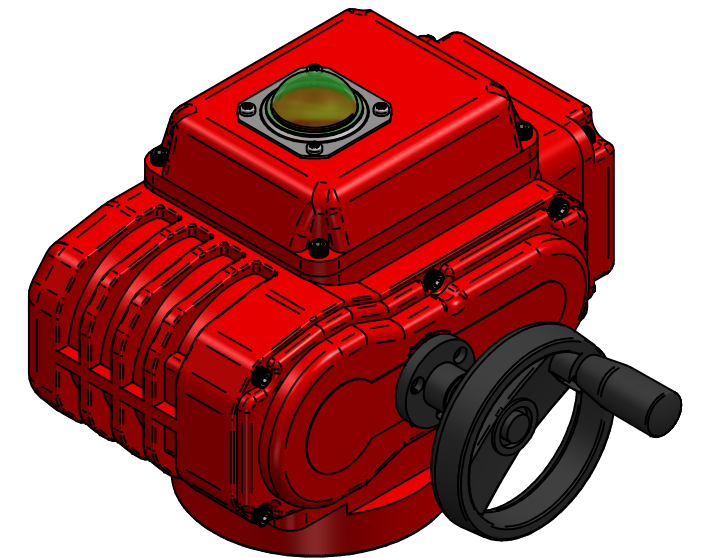
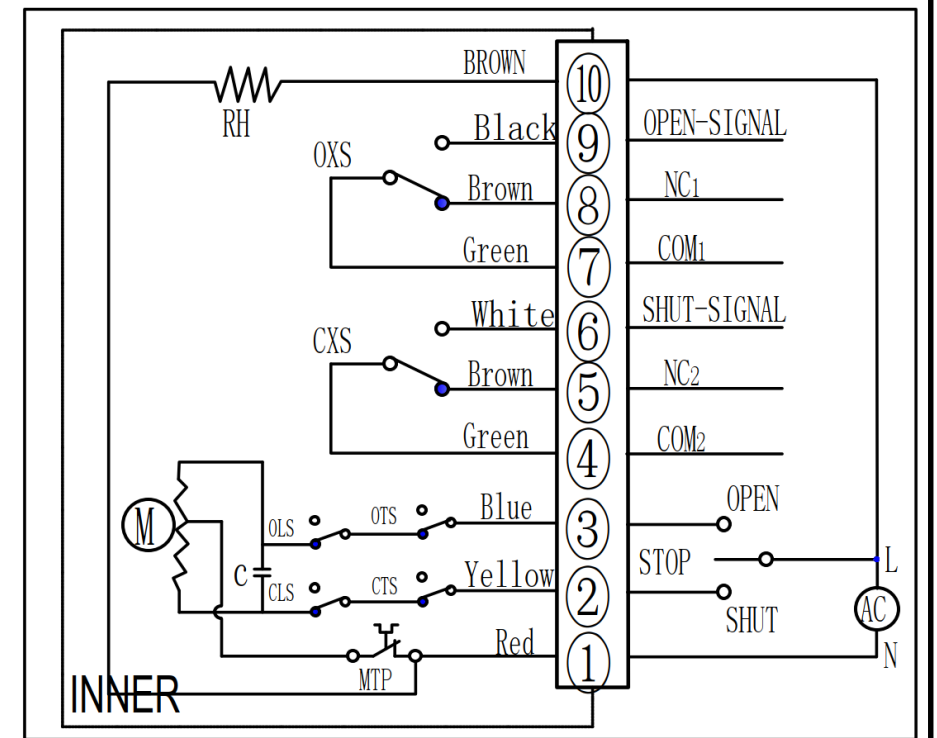


A



DETAIL A



TITLE ON/OFF EL ACT. 20, ALUMINUM BODY, IP67, 230VAC, 30S, 200NM, 0,48A, 27x44-F07/10, HEATER, SPDT, LIMIT SWTCH, TORQUE SWITCH, HANDWHEEL

	NAME	DATE	SIZE	DWG NO
DRAWN	EMLA	23.09.2023	A3	QIFHL-S230-020-0200
CHECKED	RESO	13.10.2023	FILE NAME: QIFHL-S230-020-0200.dft	
ENG APPR	TOCO	dd.mm.yyyy	SCALE: 1:5	REV: 00
MGR APPR	TOCO	dd.mm.yyyy	WEIGHT:	SHEET: 1 OF 1

UNLESS OTHERWISE SPECIFIED DIMENSIONS ARE IN MILLIMETERS AND TOLERANCES ARE +/-0,5

REV	DESCRIPTION	DATE	APPROVED
00	ISSUED	13.10.2023	RESO
REVISION HISTORY			