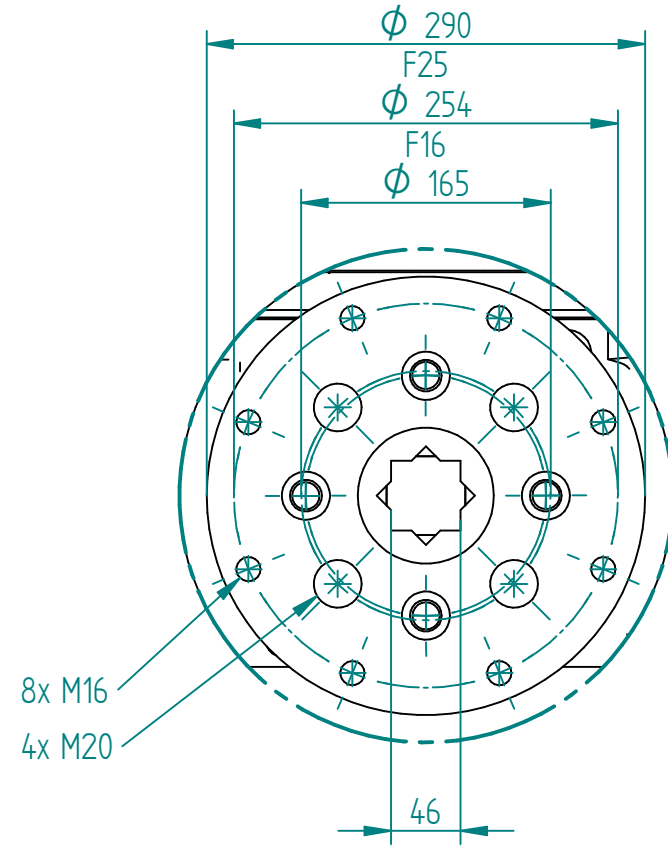
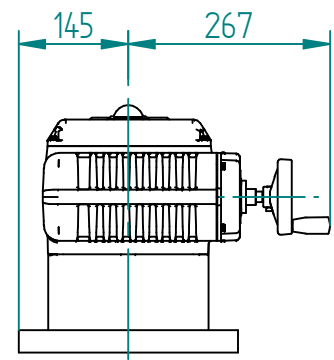
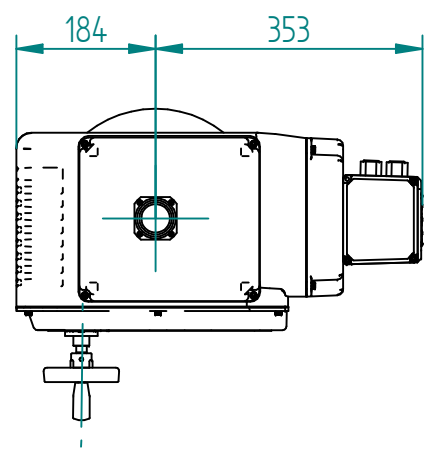
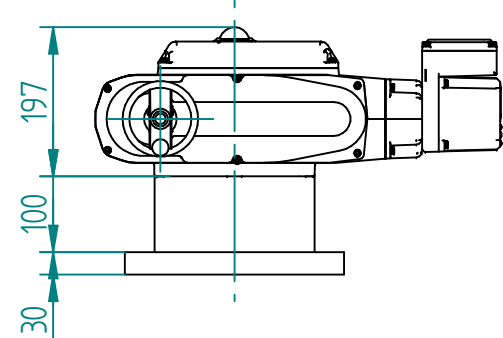
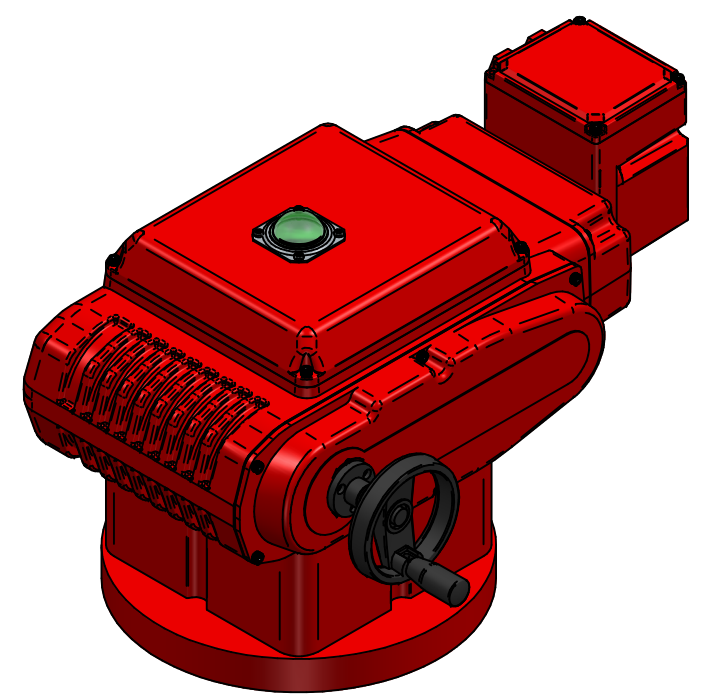
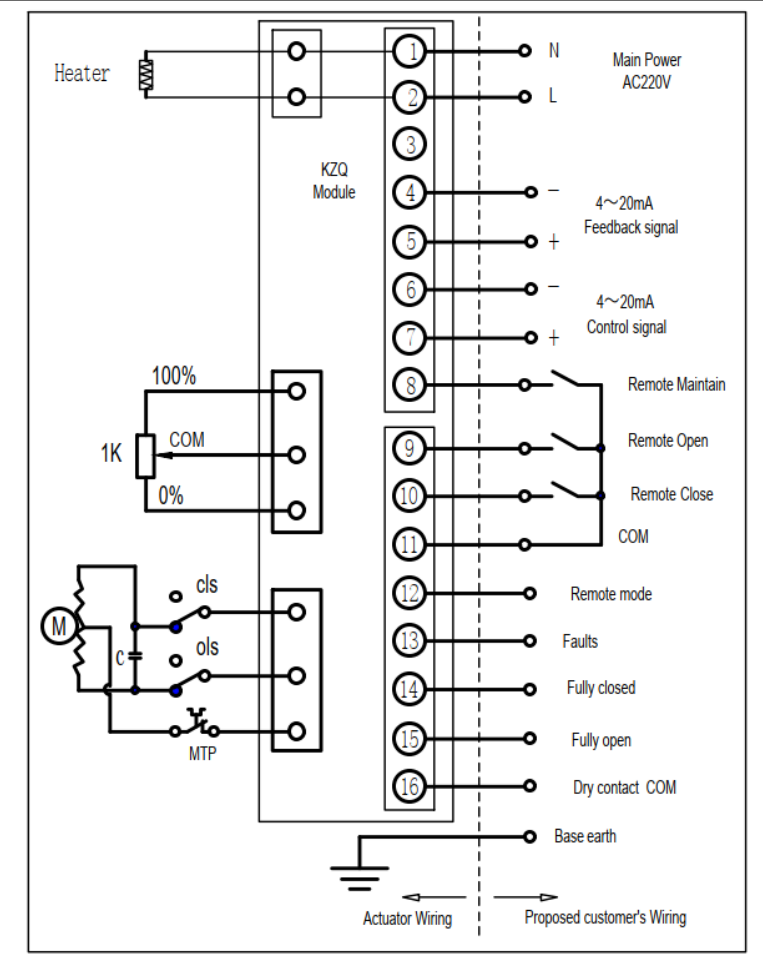


A



DETAIL A



TITLE MODULATING EL. ACT. HL-400, ALUMINUM BODY, IP67, 100S/4000Nm/2,1A, F16/F25 (FOR DN800), 4-20mA, +FEEDB. 4-20, HEATER, SPDT, LIMIT SWITCH/HANDWHEEL

	NAME	DATE	SIZE	DWG NO
DRAWN	EMLA	20.10.2023	A3	QIFHL-M230-400-4000
CHECKED	TOCO	dd.mm.yyyy	FILE NAME: QIFHL-M230-400-4000.dft	
ENG APPR	TOCO	dd.mm.yyyy	SCALE: 1:10	REV: 00
MGR APPR	TOCO	dd.mm.yyyy	WEIGHT:	SHEET: 1 OF 1

UNLESS OTHERWISE SPECIFIED DIMENSIONS ARE IN MILLIMETERS AND TOLERANCES ARE +/-0,5

00	ISSUED	13.10.2023	RESO
REV	DESCRIPTION	DATE	APPROVED
REVISION HISTORY			