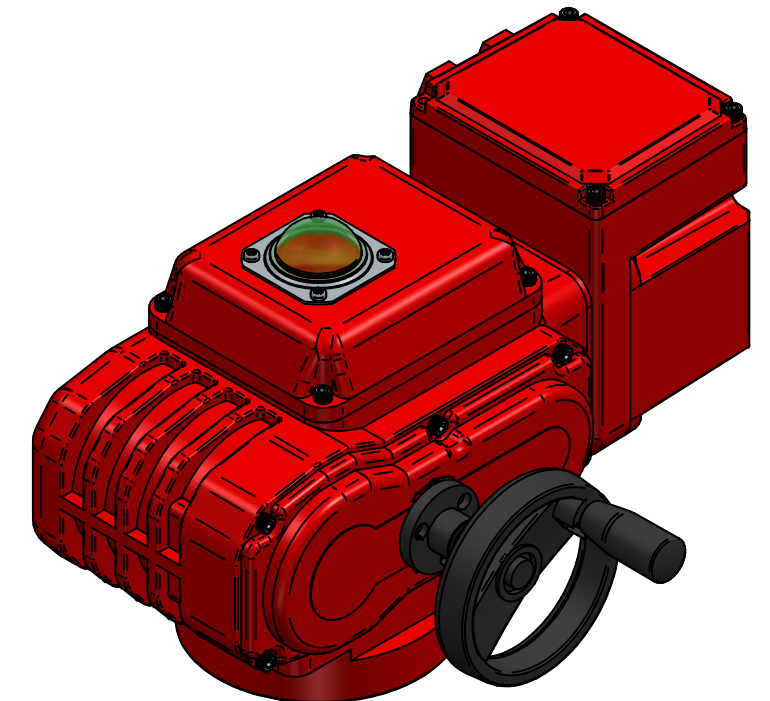
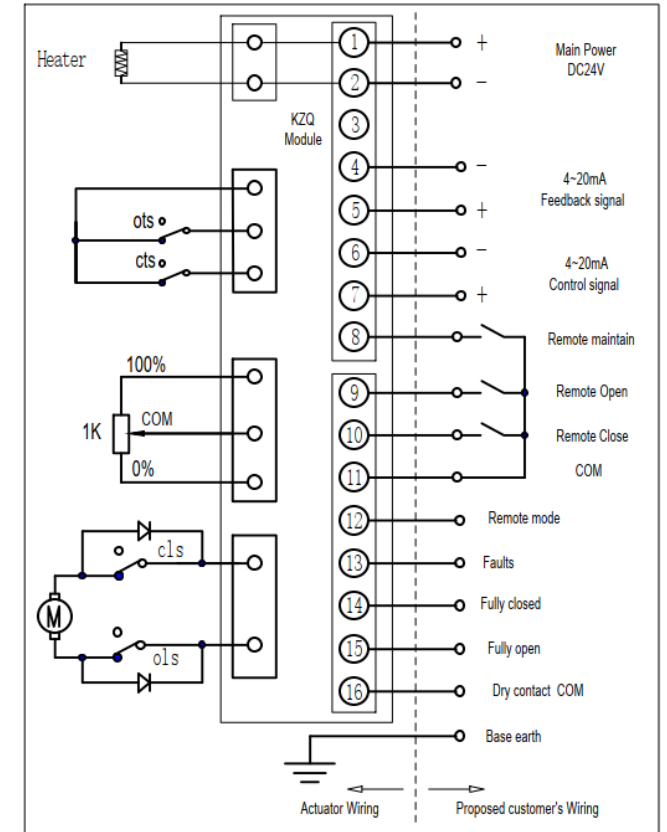


DETAIL A



TITLE MODULATING EL. ACT. HL-50, ALUM. BODY, IP67, 24VDC
20S/300Nm/0,92A/27x44-F07/F10, 4-20mA+FEEDB. 4-20
HEATER, SPDT, LIMIT SWTCH, TORQUE SWTCH,
HANDWHEEL

	NAME	DATE	SIZE	DWG NO
DRAWN	EMLA	20.10.2023	A3	QIFHL-M024-050-0300
CHECKED	TOCO	dd.mm.yyyy	FILE NAME: QIFHL-M024-050-0300.dft	
ENG APPR	TOCO	dd.mm.yyyy	SCALE: 1:5	REV: 00
MGR APPR	TOCO	dd.mm.yyyy	WEIGHT:	SHEET: 1 OF 1

UNLESS OTHERWISE SPECIFIED DIMENSIONS ARE IN MILLIMETERS AND TOLERANCES ARE +/-0,5

00	ISSUED	11.12.23	RESO
REV	DESCRIPTION	DATE	APPROVED
REVISION HISTORY			