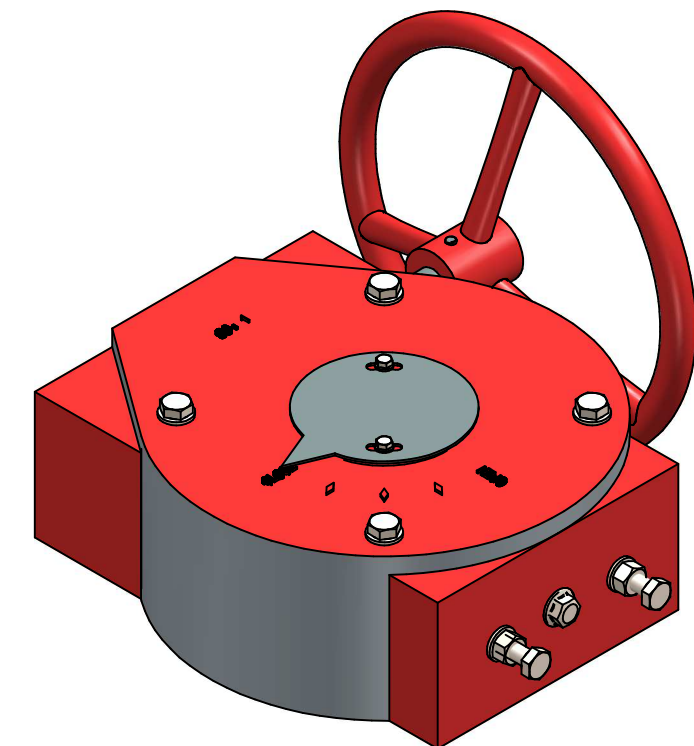
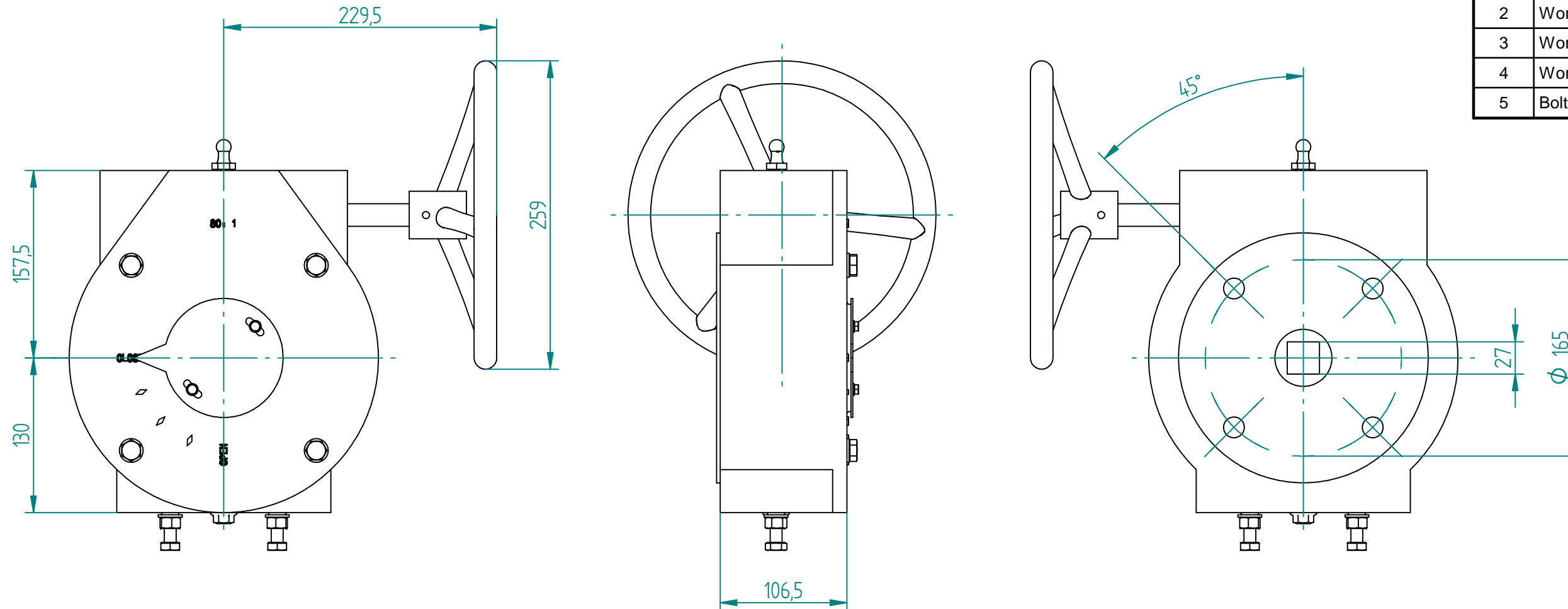



| POS | Item Number | Description |
|-----|-----------------------|-------------|
| 1 | Housing | GG25 |
| 2 | Worm gear | GGG40 |
| 3 | Worm | C.S(45#) |
| 4 | Worm shaft | SS316 |
| 5 | Bolt, Zerk, Indicator | SS316 |



| | | | | | | |
|---|-------------------------------------|----------|------------|---|--------------|--|
|  | | NAME | DATE | SIZE | DWG NO | UNLESS OTHERWISE SPECIFIED DIMENSIONS ARE IN MILLIMETERS AND TOLERANCES ARE +/-0,5 |
| | DRAWN | MOTO | 20.04.2018 | A3 | DN450-WLT-01 | |
| | CHECKED | TOCO | 20.04.2018 | FILE NAME: QIF WORM GEAR DN450 SQR 27.dft | | |
| | ENG APPR | TOCO | 20.04.2018 | SCALE: 1:4 | REV: | |
| TITLE | QIF WORM GEAR TIL DN450 / SQR 27 | MGR APPR | TOCO | 20.04.2018 | WEIGHT: | SHEET: 1 OF 1 |

| REV | DESCRIPTION | DATE | APPROVED |
|------------------|-------------|------|----------|
| REVISION HISTORY | | | |