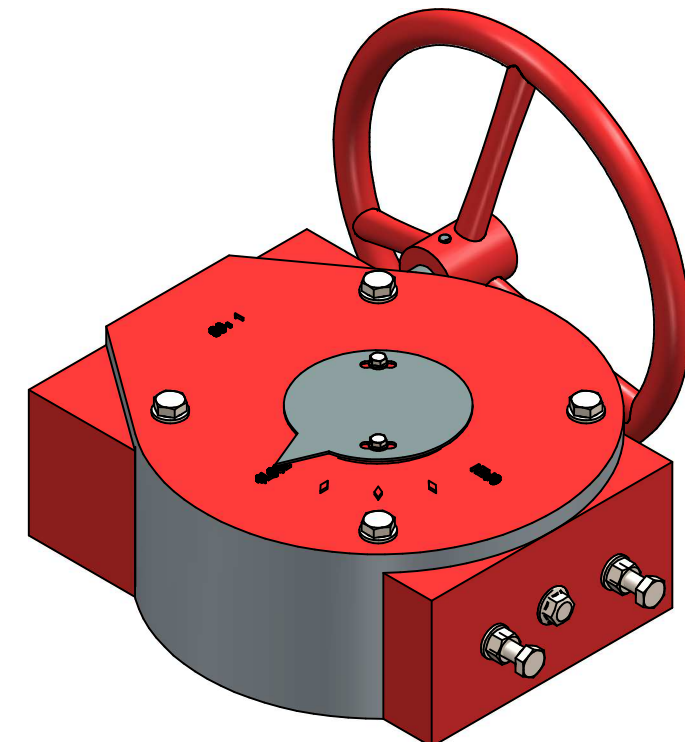
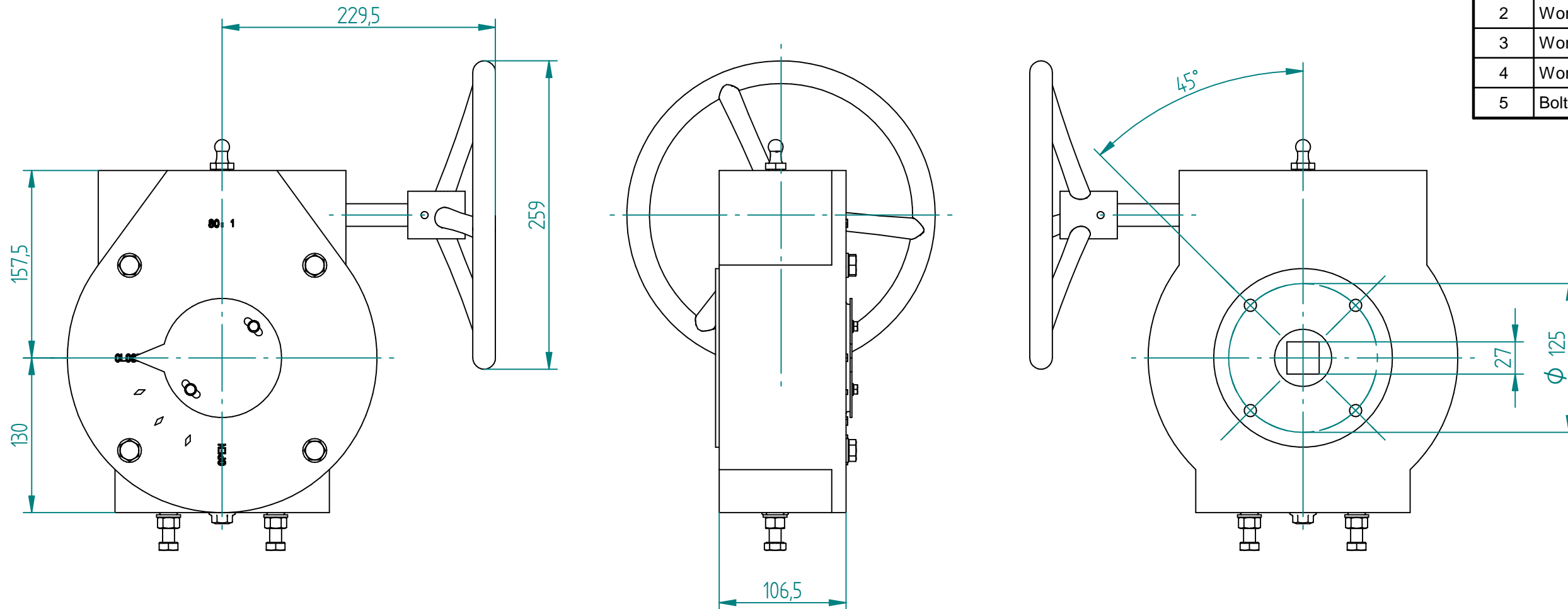



POS	Item Number	Description
1	Housing	GG25
2	Worm gear	GGG40
3	Worm	C.S(45#)
4	Worm shaft	SS316
5	Bolt, Zerk, Indicator	SS316



		NAME	DATE	SIZE	DWG NO	UNLESS OTHERWISE SPECIFIED DIMENSIONS ARE IN MILLIMETERS AND TOLERANCES ARE +/-0,5
	DRAWN	MOTO	20.04.2018	A3	DN400-WLT-01	
	CHECKED	TOCO	20.04.2018	FILE NAME: QIF WORM GEAR DN400 SQR 27.dft		
	ENG APPR	TOCO	20.04.2018	SCALE: 1:4	REV:	
TITLE	QIF WORM GEAR TIL DN400 / SQR 27	MGR APPR	TOCO	20.04.2018	WEIGHT:	SHEET: 1 OF 1

REV	DESCRIPTION	DATE	APPROVED
REVISION HISTORY			