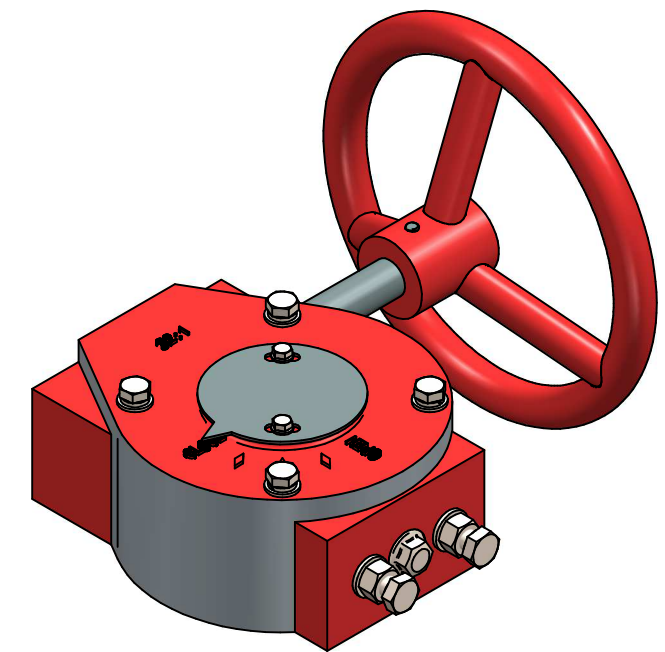
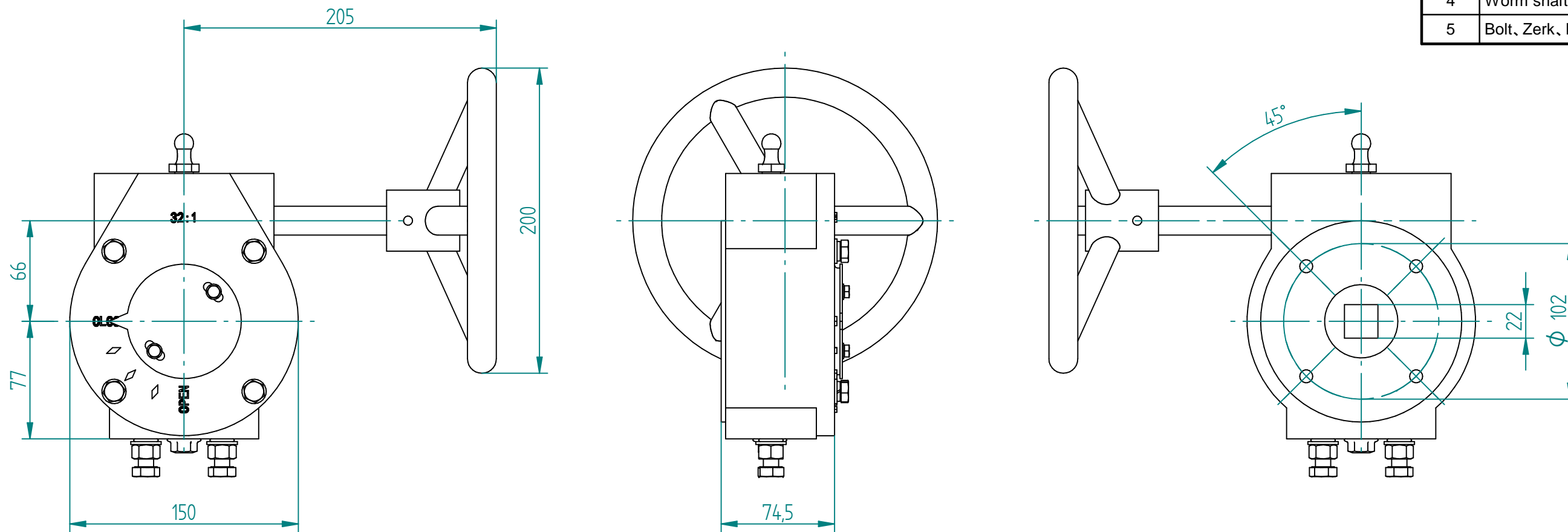



| POS | Item Number | Description |
|-----|-----------------------|-------------|
| 1 | Housing | GG25 |
| 2 | Worm gear | GGG40 |
| 3 | Worm | C.S(45#) |
| 4 | Worm shaft | SS316 |
| 5 | Bolt, Zerk, Indicator | SS316 |



|  | | NAME | DATE | SIZE | DWG NO |
|---|--|----------|------|------------|--------------------------------------|
| | | DRAWN | MOTO | 20.04.2018 | A3 |
| TITLE QIF WORM GEAR DN200-DN250 / SQR 22 | | CHECKED | TOCO | 20.04.2018 | FILE NAME: Worm Gear DN200-DN250.dft |
| | | ENG APPR | TOCO | 20.04.2018 | SCALE: 1:3 |
| | | MGR APPR | TOCO | 20.04.2018 | WEIGHT: |

UNLESS OTHERWISE SPECIFIED DIMENSIONS ARE IN MILLIMETERS AND TOLERANCES ARE +/-0,5

| REV | DESCRIPTION | DATE | APPROVED |
|------------------|-------------|------|----------|
| REVISION HISTORY | | | |