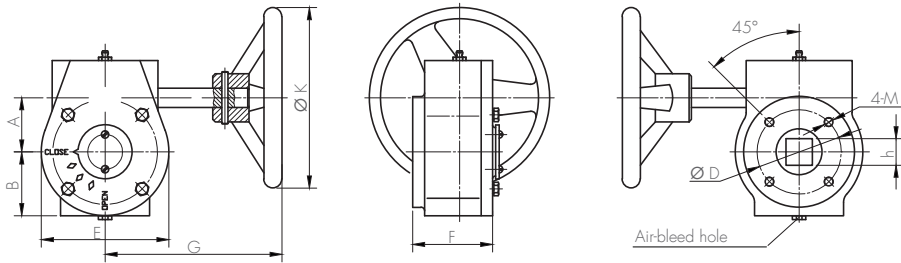


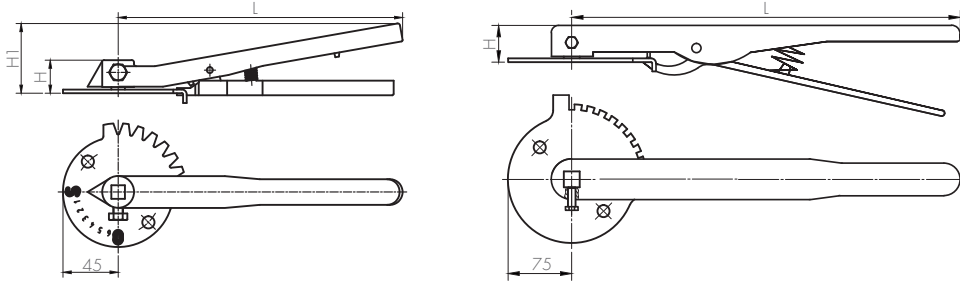
DIMENSIONS HANDLE / GEAR BOX

DN 40-450

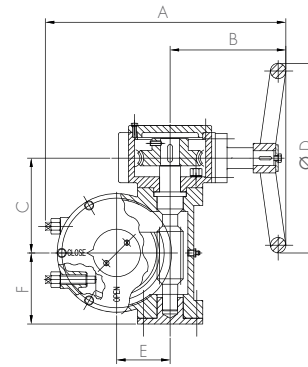


DN 40-150

DN 200-300

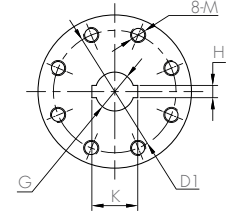
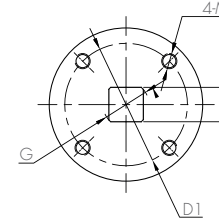


DN	H	H1	h	L	A	B	E	F	G	K	D	M	OUTPUT (NM)
40	29	64	11	232	45	54	104	64	155	146	50 / F05	M6	150
50	29	64	11	232	45	54	104	64	155	146	50 / F05	M6	150
65	29	64	11	232	45	54	104	64	155	146	70 / F07	M8	150
80	29	64	11	232	45	54	104	64	155	146	70 / F07	M8	150
100	29	64	14	232	45	54	104	64	155	146	70 / F07	M8	150
125	29	64	14	232	45	54	104	64	155	146	70 / F07	M8	150
150	31	74	17	330	45	54	104	64	155	146	70 / F07	M8	150
200	38	/	22	360	66	77	150	78	205	289	125 / F12	M12	500
250	40	/	22	500	66	77	150	78	205	289	125 / F12	M12	500
300	40	/	27	500	78	81	158	85	211	289	125 / F12	M12	1200
350	/	/	27	/	78	81	158	85	211	289	125 / F12	M12	1200
400	/	/	27	/	95	113	223	105	277	385	125 / F12	M12	2500
450	/	/	27	/	95	113	223	105	277	385	165 / F16	M20	2500



DN 500-600

DN 700-1000

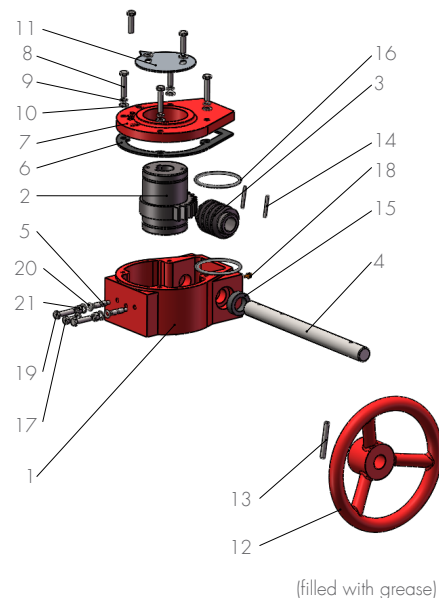


DN	A	B	C	D	D1	E	F	G	H	K	M	OUTPUT (NM)
500	365	55	178	Ø 265	165 / F16	98	106	≥ Ø 42	32	/	M20	2500
600	448	180	202	Ø 385	165 / F16	120	133	≥ Ø 50.8	36	/	M20	4000
700	500	195	240	Ø 425	254 / F25	135	147	Ø 63.5	18	72.2	M16	8000
800	500	195	240	Ø 425	254 / F25	135	147	Ø 63.5	18	72.2	M16	8000
900	560	204	251	Ø 425	254 / F25	160	177	Ø 75.2	20	84.8	M16	15000
1000	560	204	251	Ø 425	254 / F25	160	177	Ø 85.2	22	95.8	M16	15000

TORQUES (Nm)

DN	STANDARD DISC DIFFERENTIAL PRESSURE			
	P = 3BAR	P = 6BAR	P = 10BAR	P = 16BAR
40	14	14	15	18
50	16	16	17	20
65	17	17	19	24
80	25	25	27	31
100	40	42	45	51
125	59	61	64	76
150	86	90	96	110
200	169	177	188	N/A
250	304	321	356	N/A
300	431	458	486	N/A
350	586	619	729	N/A
400	740	807	1001	N/A
450	1045	1135	1445	N/A
500	1336	1476	1928	N/A
600	2110	2300	2797	N/A
700	3055	3327	4192	N/A
750	3360	3855	5072	N/A
800	4257	5086	6612	N/A

MATERIALS GEAR BOX



NO.	PART	MATERIAL
1	Body	GG25
2	Worm Gear	GGG40
3	Worm	45#
4	Worm Shaft	SS316
6	Seal Pad	Composite Paper Pad
7	Cover	GG25
11	Indicator	SS316
12	Handwheel	GG25
15	Turbine Shaft Sleeve	NBR
16, 20	"O" Ring	NBR
18	Zerk	SS316
5, 8, 9, 10, 17, 19, 21	Bolt, Shim, Nut	SS316
13, 14	Cylindrical Pin	Carbon Steel

CONTACT INFORMATION

By using products from **J.S.Cock**, we can ensure the best quality for all the critical components at your installation. Our product portfolio is very extensive and consists of all valve types and instruments used within offshore, shipping and land-based industries.

J.S.Cock is one of Norway's absolute leading suppliers and we are continually working on exceeding our customer's current and future expectations.

Oslo

+47 22 21 51 00
Nedre Rommen 3
0988 Oslo

Bergen

+47 55 39 32 00
Hylkjeflaten 10
5109 Hylkje

Arendal

+47 37 06 11 40
Tromøyveien 18
4841 Arendal

Trondheim

+47 22 21 51 00
Sluppenvegen 25
7037 Trondheim



www.jsc.no | post@jsc.no

