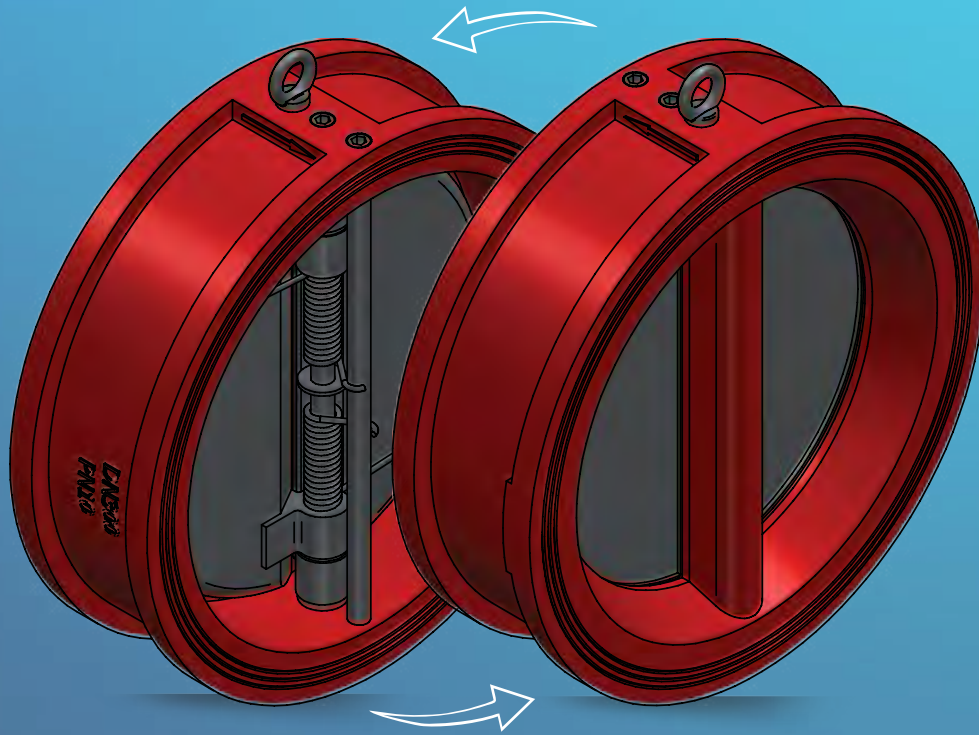




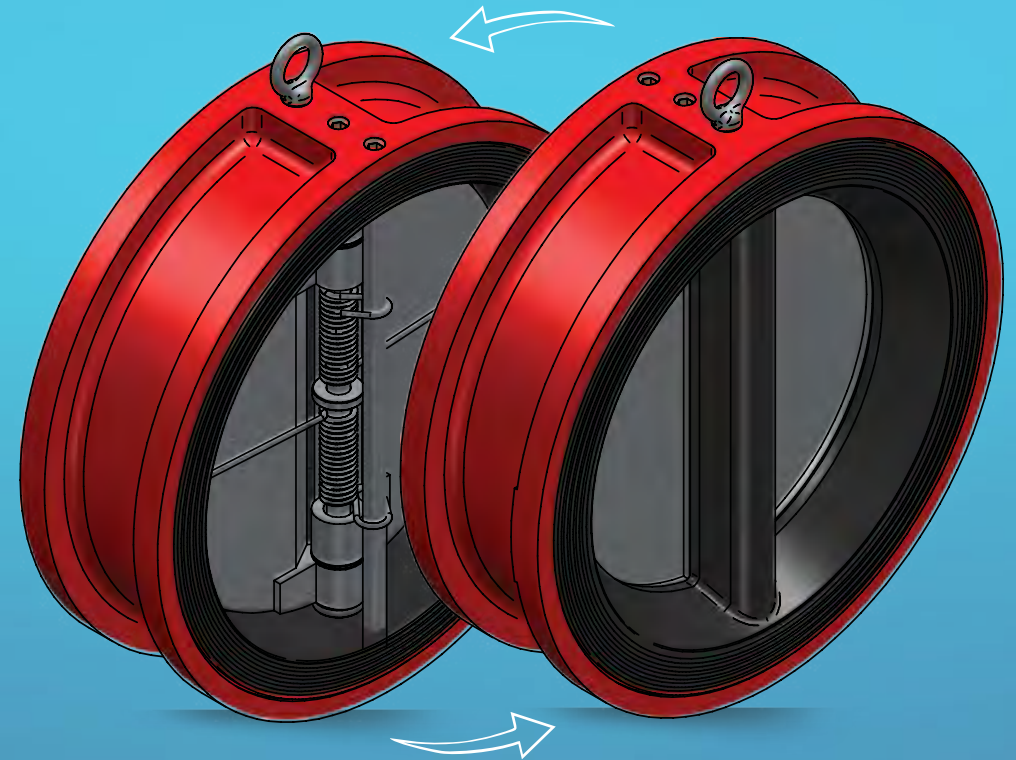
www.jsc.no | post@jsc.no

DUAL PLATE CHECK VALVES

DUAL PLATE CHECK VALVE



RUBBER COATED
DUAL PLATE CHECK VALVE

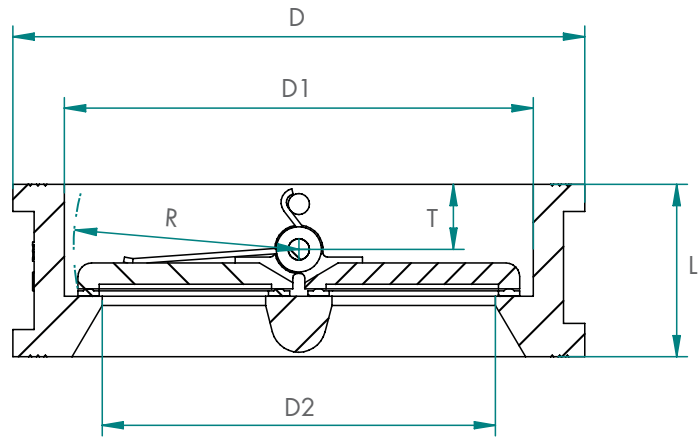


MORE THAN 120 YEARS OF EXPERIENCE WITH VALVES AND INSTRUMENTS

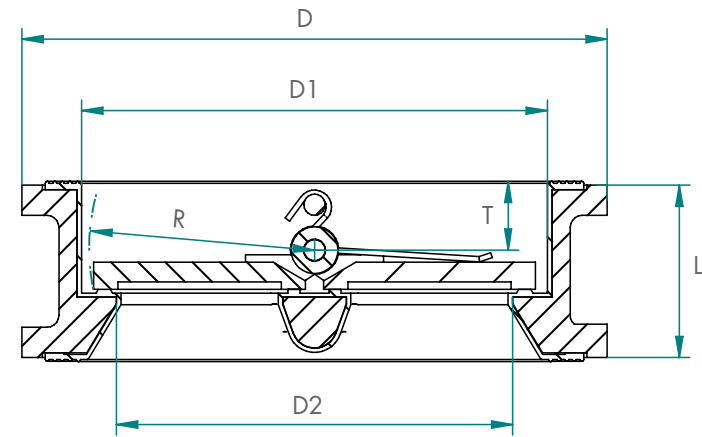
Oslo | Bergen | Arendal | Larvik

DIMENSIONS / DUAL PLATE CHECK VALVE

DN50-DN600



DN50-DN700 RUBBER COATED

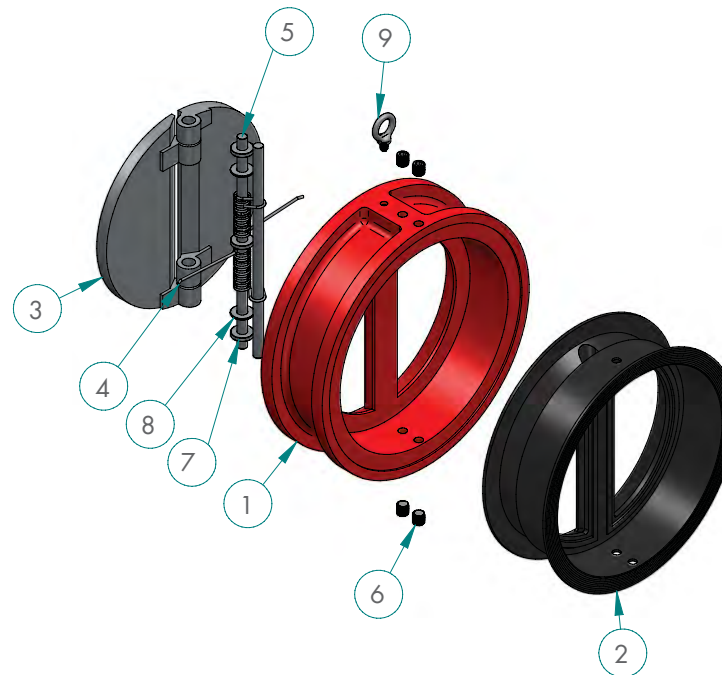


Size		D	D1	D2	L	R	T
(mm)	(inch)						
50	2"	107	65	43,3	43	28,8	19
65	2 1/2"	127	80	60,2	46	36,1	20
80	3"	142	94	66,4	64	43,4	28
100	4"	162	117	90,8	64	52,8	27
125	5"	192	145	116,9	70	65,7	30
150	6"	218	170	144,6	76	78,6	31
200	8"	273	224	198,2	89	104,4	33
250	10"	328	265	233,7	114	127,0	50
300	12"	378	310	283,9	114	148,3	43
350	14"	438	360	332,9	127	172,4	45
400	16"	489	410	381,0	140	197,4	52
450	18"	539	450	419,9	152	217,8	58
500	20"	594	505	467,8	152	241,0	58
600	24"	700	624	572,6	178	295,4	73
700	28"	820	720	661,6	229	345,0	98

Size		D	D1	D2	L	R	T
(mm)	(inch)						
50	2"	107	65	41	43	28,8	19
65	2 1/2"	127	80	56	46	36,1	20
80	3"	142	94	65	64	43,4	28
100	4"	162	117	83	64	52,8	27
125	5"	192	145	112	70	65,7	30
150	6"	218	170	129	76	78,6	31
200	8"	273	224	176	89	104,4	33
250	10"	328	265	217	114	127,0	50
300	12"	378	310	254	114	148,3	43
350	14"	438	360	295	127	174,4	45
400	16"	489	410	350	140	197,4	52
450	18"	539	450	376	152	217,2	58
500	20"	594	505	428	152	242,8	58
600	24"	695	624	530	178	296,4	73
700	28"	820	720	622	229	345,0	98

DN50-DN600 DUAL PLATE

DN50-DN700 RUBBER COATED, DUAL PLATE



QIF-180-001

QIF-180-002

QIF-180-021

QIF-180-022

QIF-180-024

NO.	PART	MATERIAL
1	Body	GGG40
2	Seat	EPDM
3	Disc	Al.Br.
4	Spring	SS316
5	Shaft	SS316
6	Set screw	Carbon Steel
7	Shaft plug	SS316
8	Trust washer	PTFE
9	Eye Screw	Carbon Steel

NO.	PART	MATERIAL
1	Body	GGG40
2	Seat	EPDM
3	Disc	CF8M
4	Spring	SS316
5	Shaft	SS316
6	Set screw	Carbon Steel
7	Shaft plug	SS316
8	Trust washer	PTFE
9	Eye Screw	Carbon Steel

NO.	PART	MATERIAL
1	Body	GGG40
2	Liner	EPDM
3	Disc	Al.Br.
4	Spring	SS316
5	Shaft	SS316
6	Set screw	Carbon Steel
7	Shaft plug	SS316
8	Trust washer	PTFE
9	Eye Screw	Carbon Steel

NO.	PART	MATERIAL
1	Body	GGG40
2	Liner	EPDM
3	Disc	CF8M
4	Spring	SS316
5	Shaft	SS316
6	Set screw	Carbon Steel
7	Shaft plug	SS316
8	Trust washer	PTFE
9	Eye Screw	Carbon Steel

NO.	PART	MATERIAL
1	Body	GGG40
2	Liner	EPDM
3	Disc	Duplex
4	Spring	Inconel
5	Shaft	Duplex
6	Set screw	Carbon Steel
7	Shaft plug	SS316
8	Trust washer	PTFE
9	Eye Screw	Carbon Steel



Oslo



Bergen



Arendal



Larvik

Oslo

+47 22 21 51 00
Nedre Rommen 3
0988 Oslo

Bergen

+47 55 39 32 00
Hylkjefflaten 10
5109 Hylkje

Arendal

+47 37 06 11 40
Tromøyveien 18
4841 Arendal

Larvik

+47 33 19 29 15
Skreppstadveien 24
3261 Larvik

By using products from J.S.Cock, we can ensure the best quality for all the critical components at your installation. Our product portfolio is very extensive and consists of all valve types and instruments used within offshore, shipping and land-based industries.

J.S.Cock is one of Norway's absolute leading suppliers and we are continually working on exceeding our customer's current and future expectations.



post@jsc.no | www.jsc.no