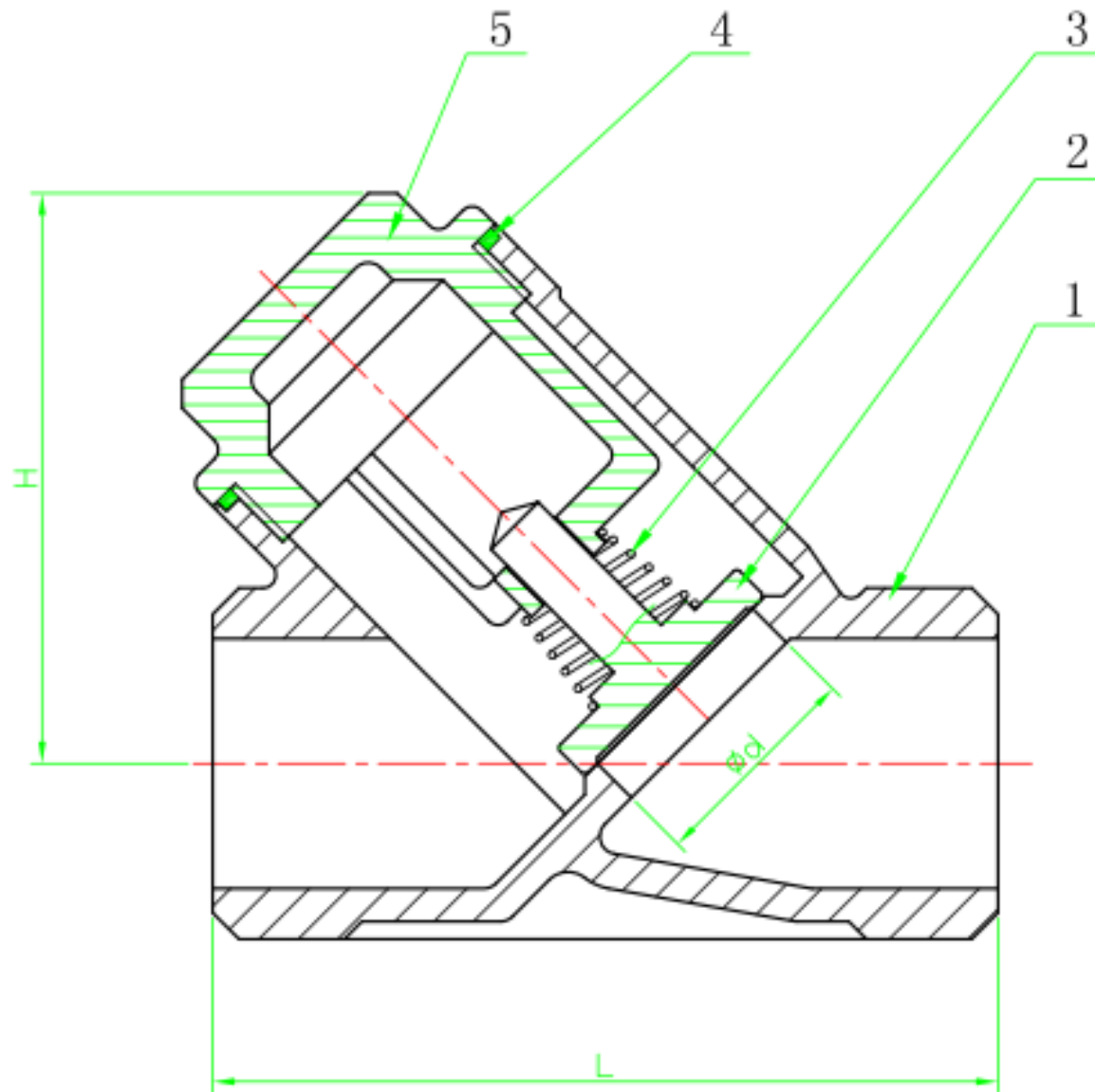
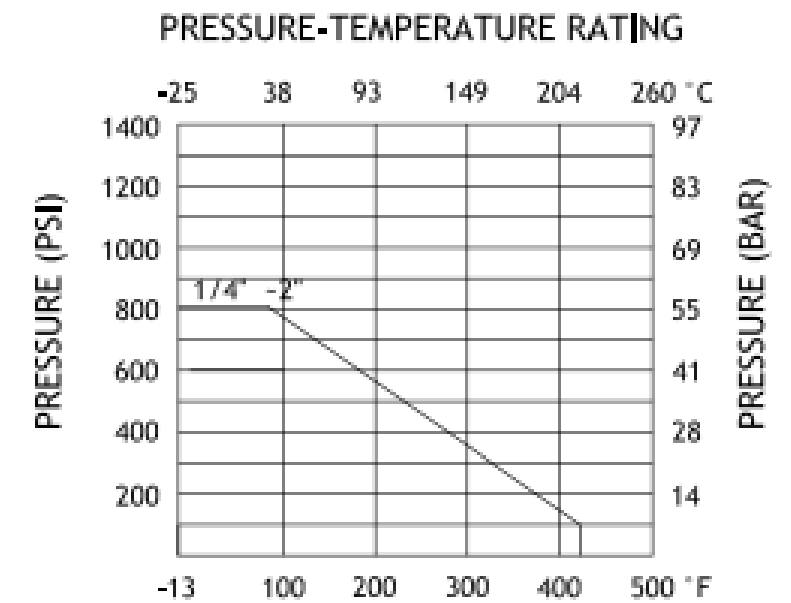



Y Type Check Valve Threaded
 Investment castings for body, cap and disc
 Pressure Rating: 800PSI
 Material: CF8M, CF8, CF3M

ITEM	PART	MATERIAL	QTY.
1	Body	CF8M	1
2	Disc	CF8M	1
3	Spring	SS316	1
4	Joint Gasket	PTFE	1
5	Bonnet	CF8M	1



SIZE	d	L	H
1/4"	9.5	64	43
3/8"	11.5	64	43
1/2"	15	64	45
3/4"	20	79	52
1"	25	90	68
1-1/4"	30	106	70
1-1/2"	38	119	80
2"	47	140	98
2-1/2"	61	167	117
3"	75	198	137
4"	94	238	163



	NAME	DATE	SIZE	DWG NO	UNLESS OTHERWISE SPECIFIED DIMENSIONS ARE IN MILLIMETERS AND TOLERANCES ARE +/-0,5
	DRAWN	MOTO	A3	QIF-180-042-DN8-DN100.pdf	
	CHECKED	TOCO	FILE NAME:		
	ENG APPR	TOCO	SCALE:	REV:	
TITLE	MGR APPR	TOCO	WEIGHT:	SHEET: 1 OF 1	
Y TYPE CHECK VALVE					

REV	DESCRIPTION	DATE	APPROVED
REVISION HISTORY			