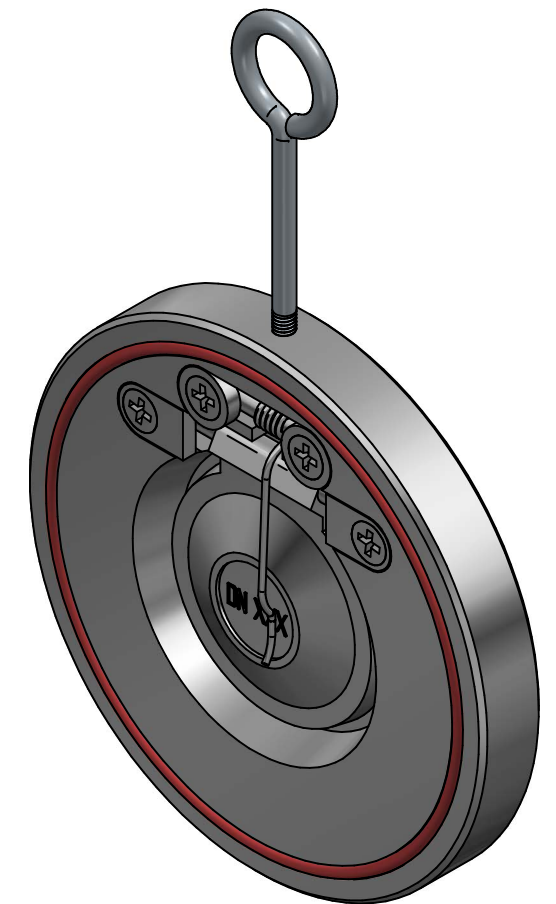
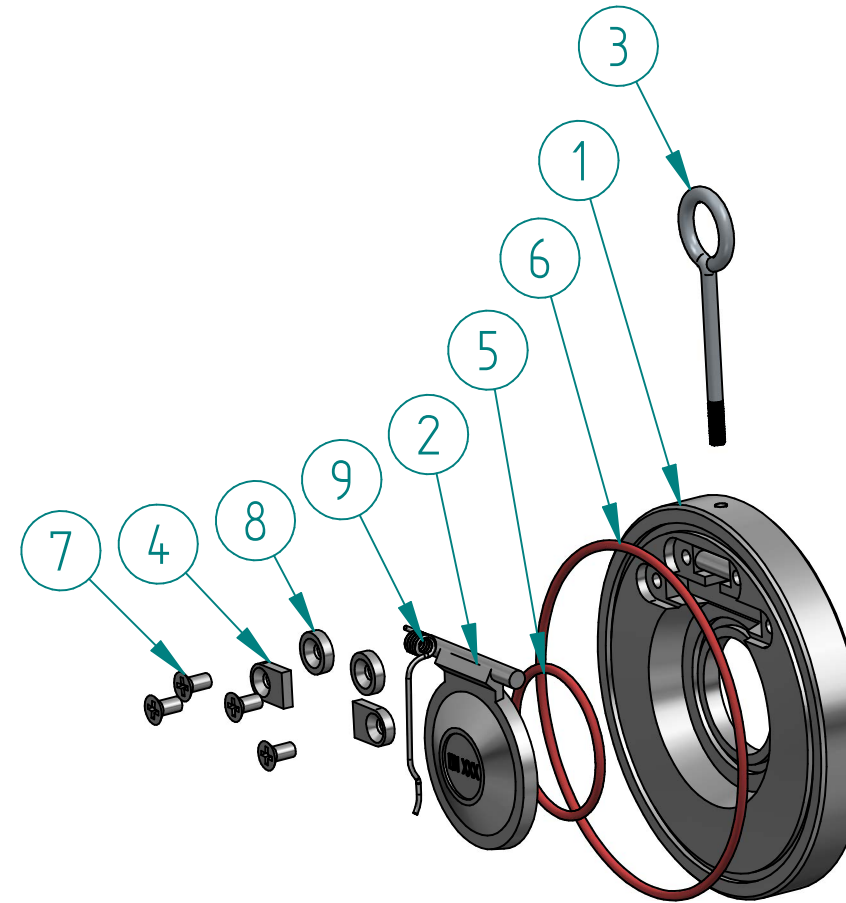
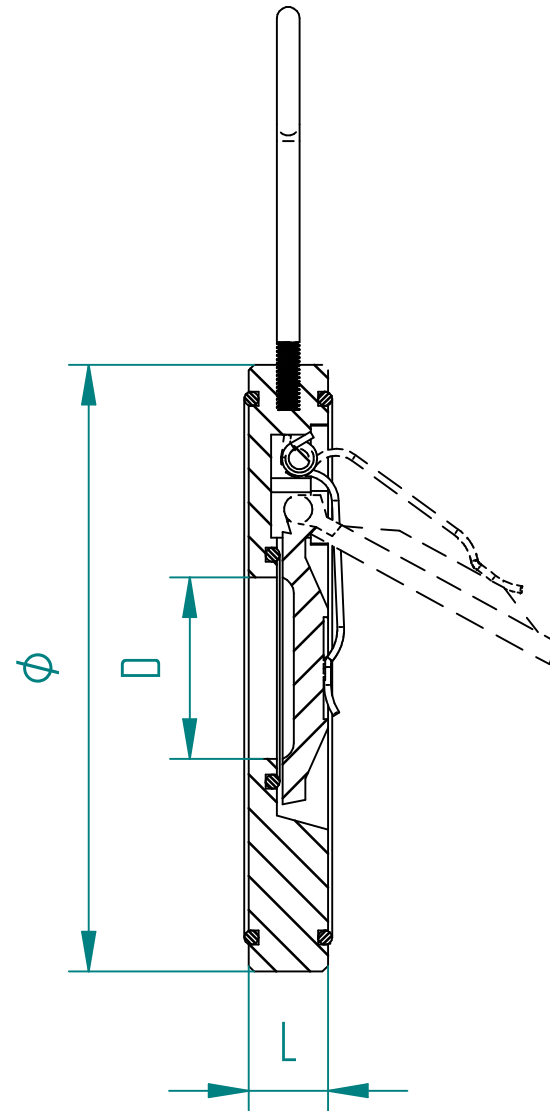
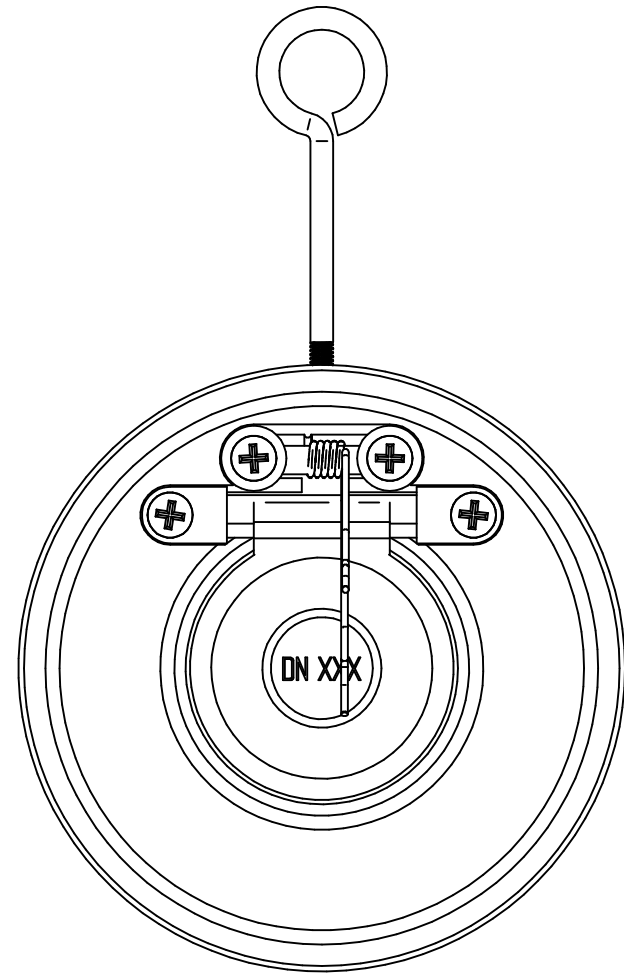


Pos	Part name	Material	Qty
1	Body	SS316	1
2	Disc	SS316	1
3	Ring	WCB	1
4	Plate	SS316	2
5	Inner O-Ring	VITON	1
6	Outer O-Ring	VITON	2
7	Bolt	SS316	4
8	Plate	SS316	2
9	Spring	SS316	1

Size [DN]	Size [NPS]	L	D	Ø
32	1 - 1/4"	14	17	82
40	1 - 1/2"	14	22	92
50	2"	14	32	107
65	2 - 1/2"	14	40	127
80	3"	14	54	142
100	4"	18	70	162
125	5"	18	92	192
150	6"	20	114	218
200	8"	22	154	273
250	10"	26	200	328
300	12"	28	235	378



- Working Pressure: 1.6 MPa
- Test Standard: API 598
- Flange Standard: EN 1092-1

Working Temperature: -23 to 150°C



	NAME	DATE	SIZE	DWG NO
DRAWN	EMLA	3/11/2024	A3	QIF-180-032-xxxx
CHECKED	RAGA	25.03.2024	FILE NAME: QIF-180-033-xxxx.dft	
ENG APPR	TOCO	dd.mm.yyyy	SCALE:	REV: 00
MGR APPR	TOCO	dd.mm.yyyy	WEIGHT:	SHEET: 1 OF 1

UNLESS OTHERWISE SPECIFIED DIMENSIONS ARE IN MILLIMETERS AND TOLERANCES ARE +/-0,5

REV	DESCRIPTION	DATE	APPROVED
00	ISSUED	15.03.2024	
REVISION HISTORY			

TITLE PN10 SWING CHECK WITH SPRING WAFFER
SS316 BODY/DISC, VITON SEATRING