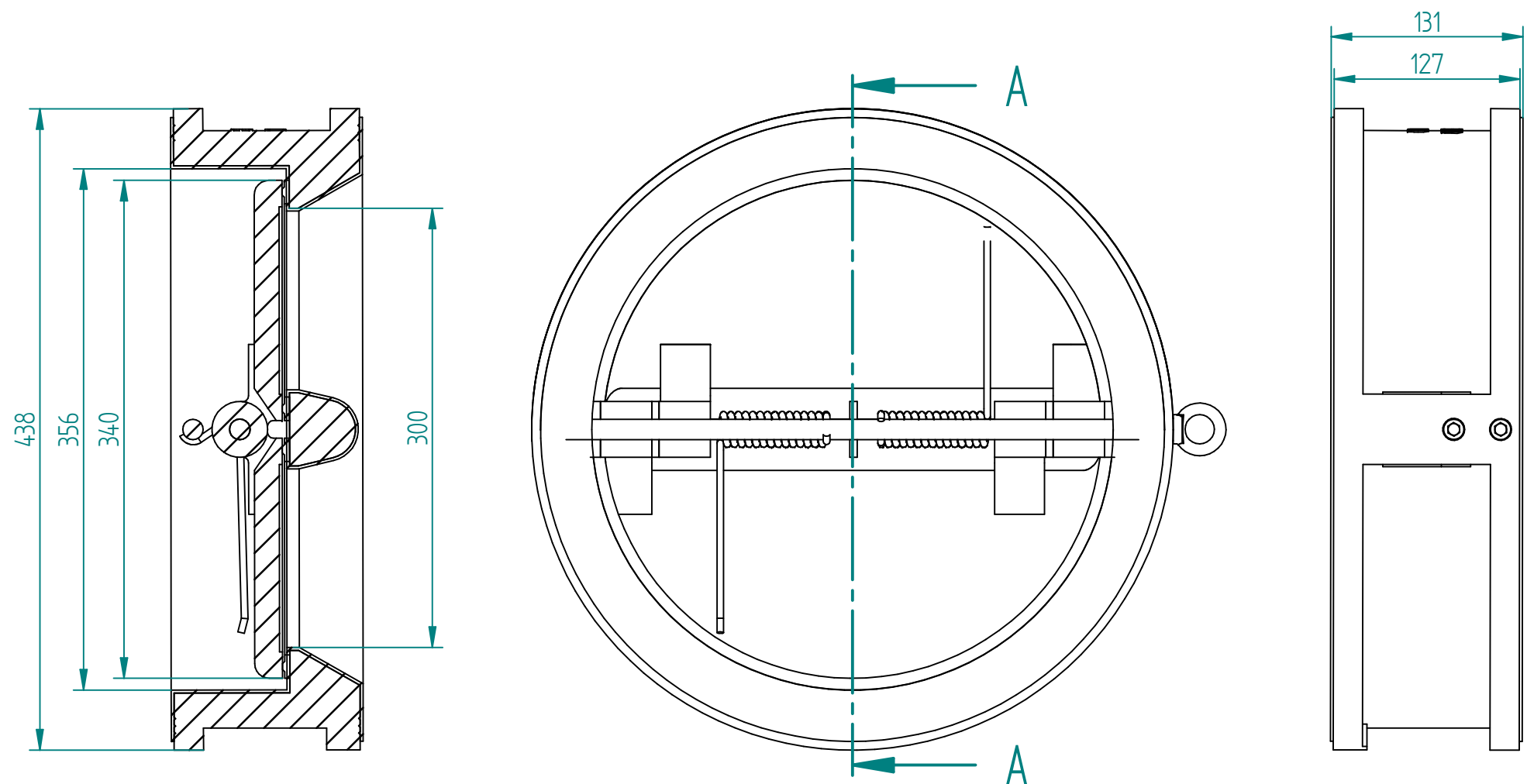
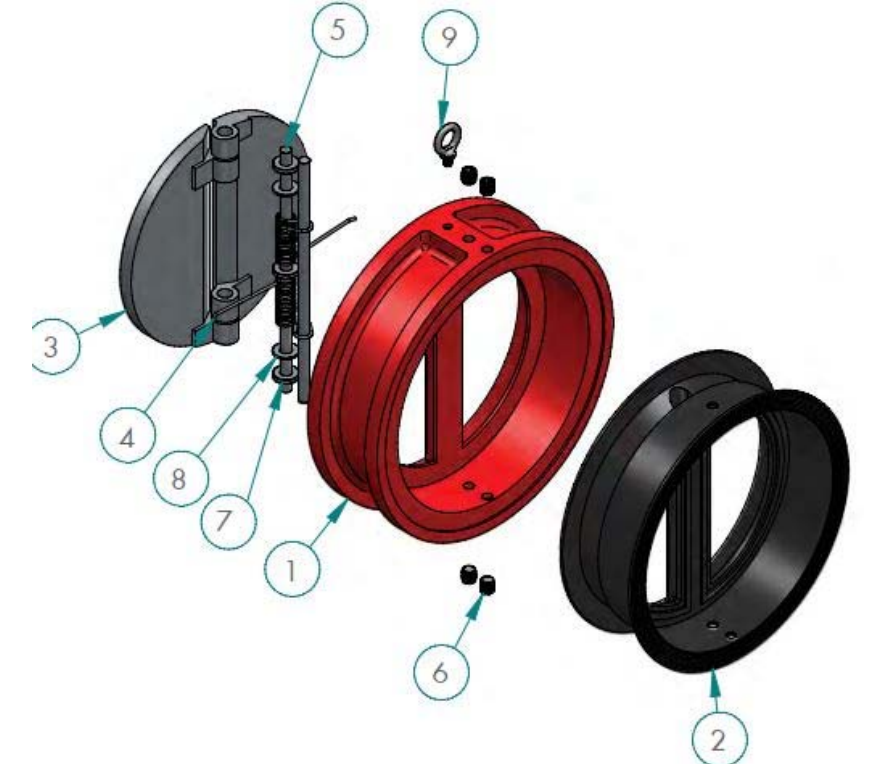
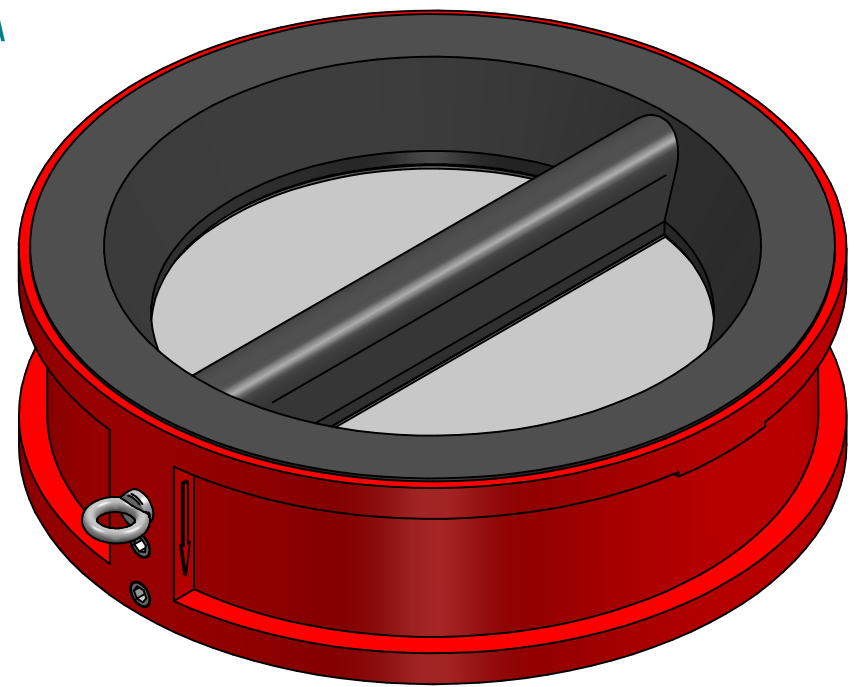


QIF-180-024



NO.	PART	MATERIAL
1	Body	GGG40
2	Liner	EPDM
3	Disc	Duplex
4	Spring	Inconel
5	Shaft	Duplex
6	Set screw	Carbon Steel
7	Shaft plug	SS316
8	Trust washer	PTFE
9	Eye Screw	Carbon Steel

SECTION A-A



	NAME	DATE	SIZE	DWG NO
DRAWN	SISO	28.01.2023	A3	QIF-180-024-0350
CHECKED	RESO	28.01.2023	FILE NAME: QIF-180-024-0350.dft	
ENG APPR	RESO	28.01.2023	SCALE:	REV:
MGR APPR	RESO	28.01.2023	WEIGHT:	SHEET: 2 OF 2

UNLESS OTHERWISE SPECIFIED DIMENSIONS ARE IN MILLIMETERS AND TOLERANCES ARE +/-0,5

TITLE DN350 DUO CHECK VALVE, RUBBER LINED DUPLEX 2205 DISC & SHAFT, EPDM SEAT INCONEL SPRING

REV	DESCRIPTION	DATE	APPROVED
REVISION HISTORY			