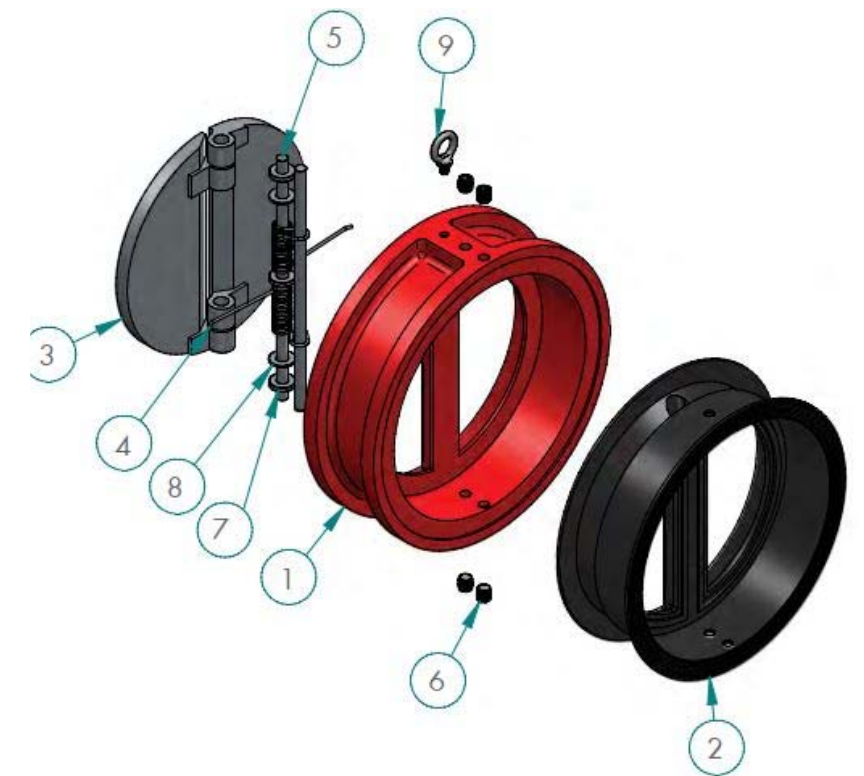
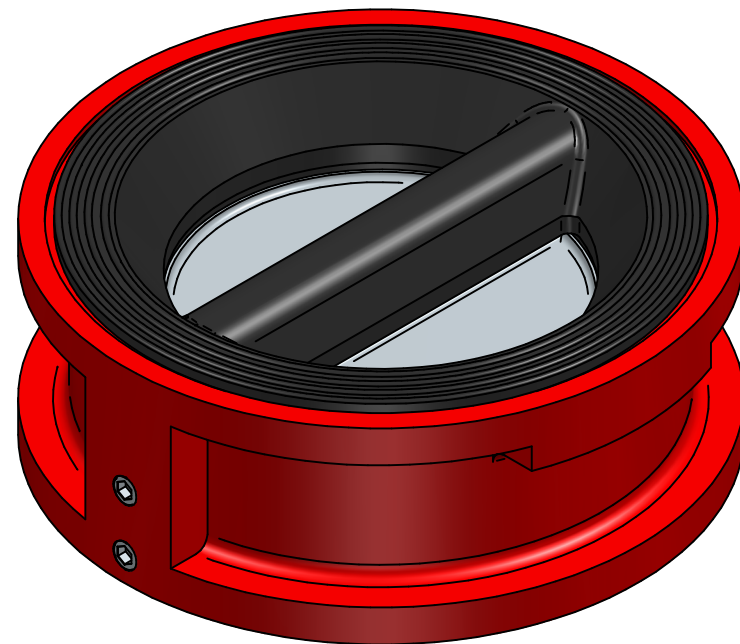
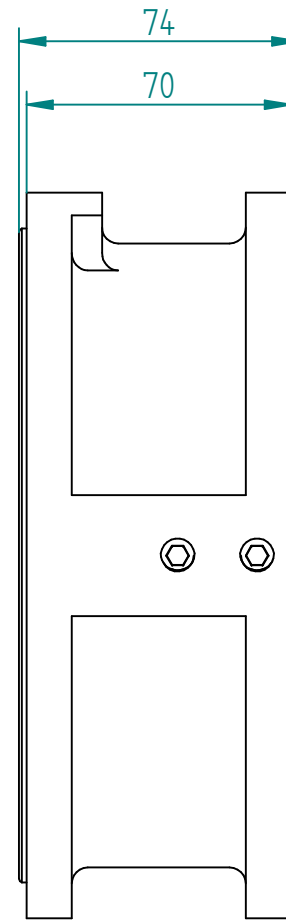
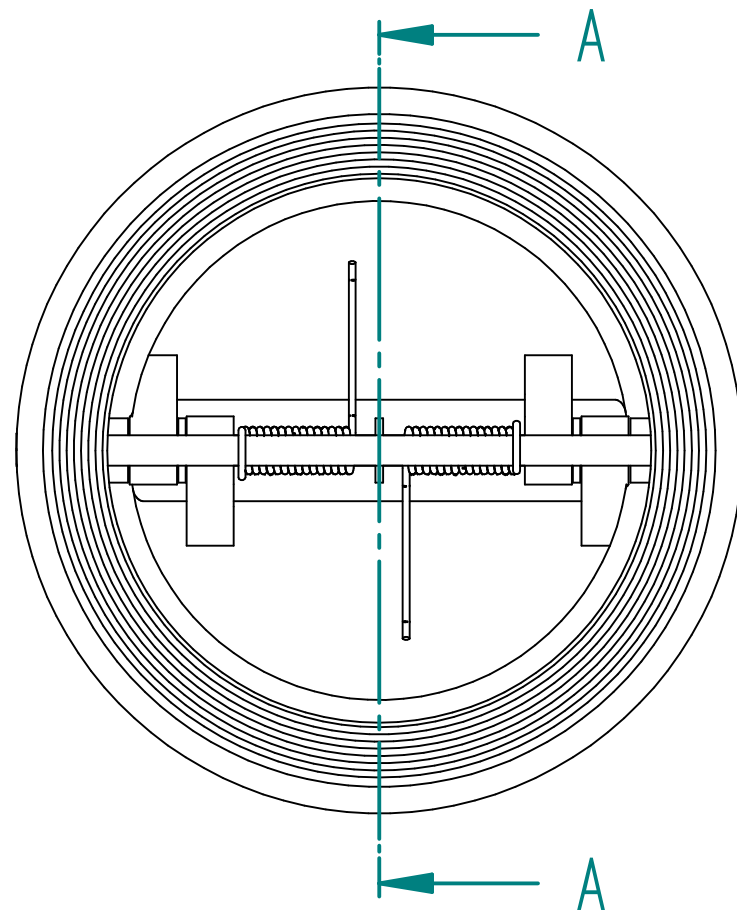


SECTION A-A



QIF-180-024

| NO. | PART | MATERIAL |
|----------|--------------|---------------|
| 1 | Body | GGG40 |
| 2 | Liner | EPDM |
| 3 | Disc | Duplex |
| 4 | Spring | Inconel |
| 5 | Shaft | Duplex |
| 6 | Set screw | Carbon Steel |
| 7 | Shaft plug | SS316 |
| 8 | Trust washer | PTFE |
| 9 | Eye Screw | Carbon Steel |



TITLE DN125 DUO CHECK VALVE, RUBBER LINED
 DUPLEX 2205 DISC & SHAFT, EPDM SEAT
 INCONEL SPRING

| | NAME | DATE | SIZE | DWG NO |
|----------|------|------------|---------------------------------|------------------|
| DRAWN | SISO | 21.01.2023 | A3 | QIF-180-024-0125 |
| CHECKED | RESO | 21.01.2023 | FILE NAME: QIF-180-024-0125.dft | |
| ENG APPR | RESO | 21.01.2023 | SCALE: 1:2 | REV: |
| MGR APPR | RESO | 21.01.2023 | WEIGHT: | SHEET: 1 OF 2 |

UNLESS OTHERWISE SPECIFIED
 DIMENSIONS ARE IN MILLIMETERS
 AND TOLERANCES ARE +/-0,5

| REV | DESCRIPTION | DATE | APPROVED |
|------------------|-------------|------|----------|
| REVISION HISTORY | | | |